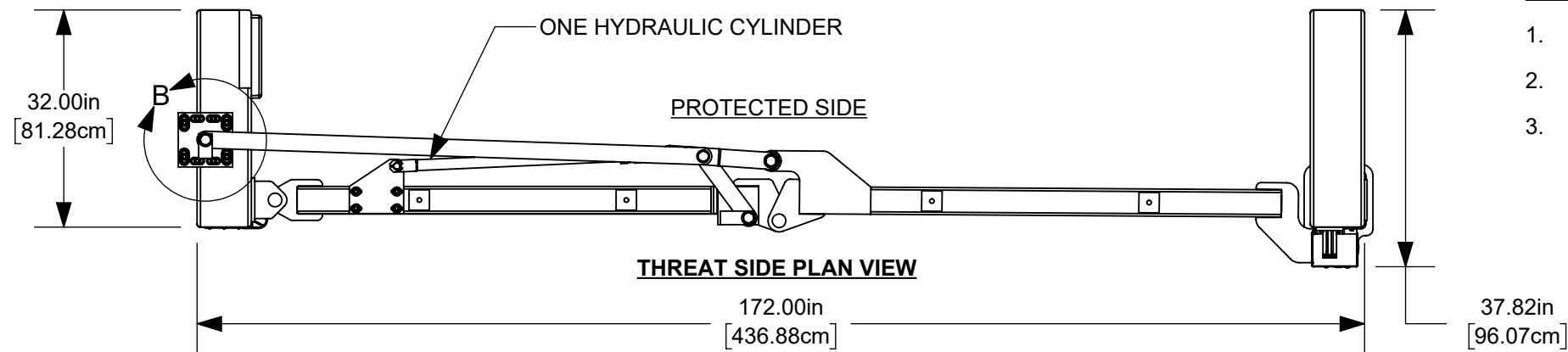


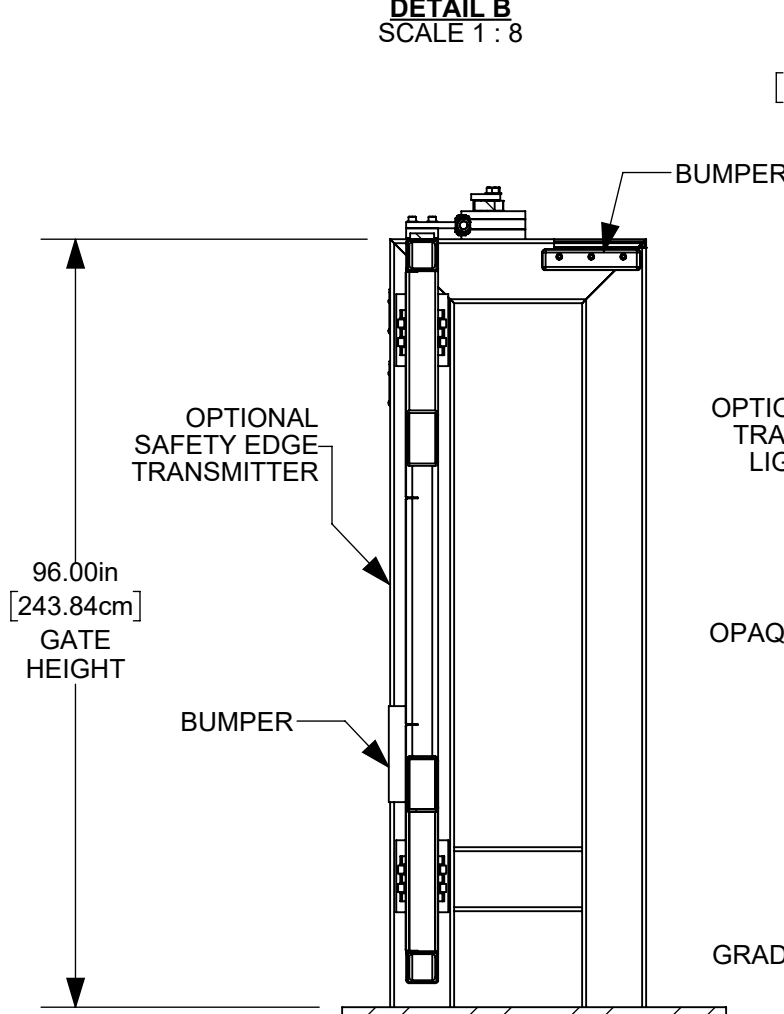
DETAIL B
SCALE 1 : 8



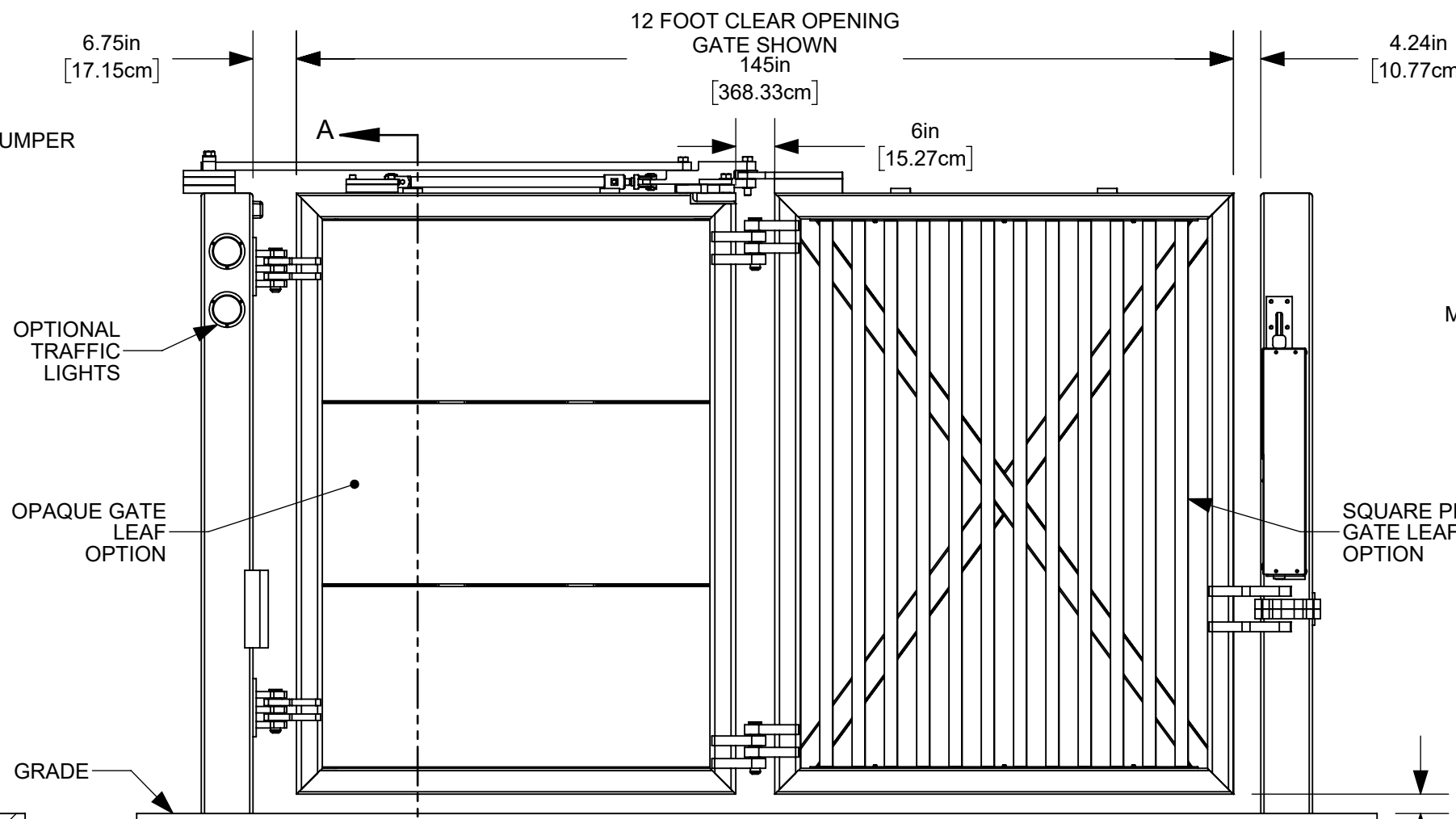
THREAT SIDE PLAN VIEW

NOTE:

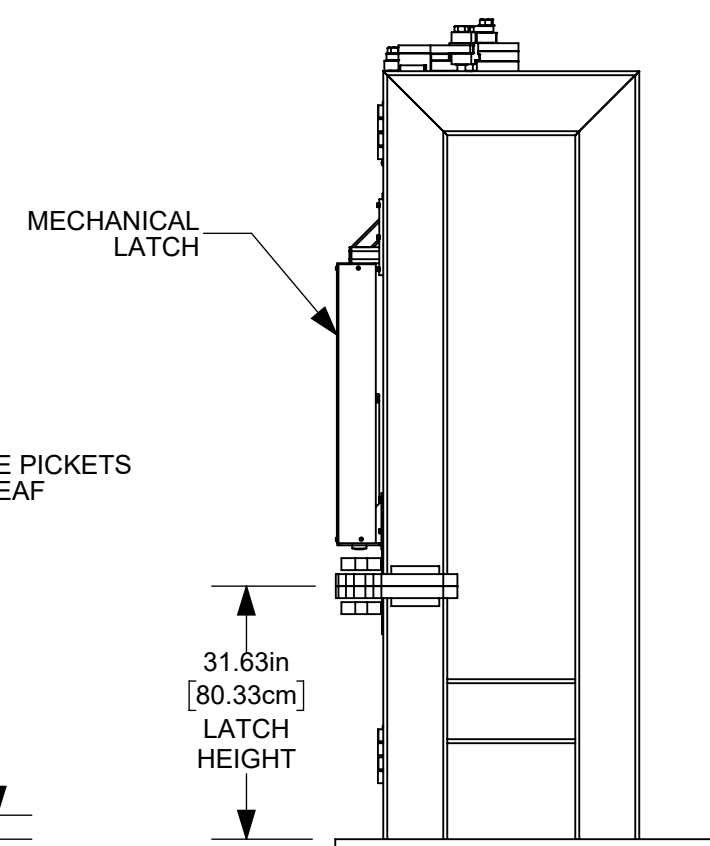
1. GATES ARE FURNISHED AMBIDEXTROUS (LEFT HAND SHOWN).
2. GATE FINISH OPTIONS: HOT DIP GALVANIZED, LINE-X, PAINT COLOR.
3. ALL STEEL MEMBERS PER AISC STANDARDS WELDING DESIGN CRITERIA AWS DA, A LATEST REVISION.



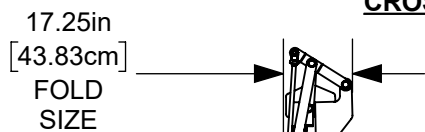
SECTION A-A CROSS SECTION



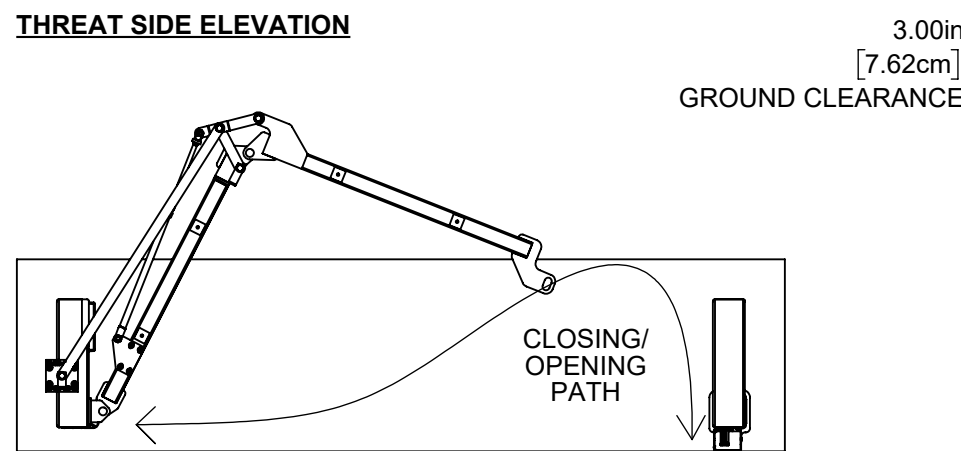
THREAT SIDE ELEVATION



SIDE ELEVATION



FULLY OPEN



PARTIALLY OPEN

THIS DRAWING, UNLESS OTHERWISE NOTED, REMAINS THE CONFIDENTIAL PROPERTY AND TRADE SECRET OF DELTA SCIENTIFIC CORPORATION. IT SHALL NOT BE DISCLOSED, REPRODUCED OR USED FOR MANUFACTURE, DESIGN OR CONSTRUCTION WITHOUT THE EXPRESS AUTHORIZATION OF DELTA SCIENTIFIC CORPORATION. THE RECIPIENT BY ACCEPTING THIS DRAWING, ASSUMES CUSTODY THEREOF AND UNDER THE ABOVE TERMS AGREES NOT TO ALLOW USE OF BY UNAUTHORIZED PERSONS.

© 2022
ALL RIGHTS RESERVED

UNLESS OTHERWISE NOTED DIMENSIONS ARE IN INCHES

TOLERANCES

.X = ± .060/FT
.XX = ± .030/FT
.XXX = ± .010/FT
ANGLES = 5°

SURFACE FINISH

125

REMOVE ALL BURRS AND BREAK SHARP EDGES 02 MAX



DELTA SCIENTIFIC CORPORATION
40355 DELTA LANE
PALMDALE, CA 93551 U.S.A.
(861) 575-1000 FAX (861) 575-1109

DSC8000 BI-FOLD GATE GENERAL ARRANGEMENT

DRAWN BY AWL	DATE 12/8/2022	DRAWING NO. 17103	REV. -
CHKD BY	DATE	SCALE 1:24	SHEET 1 OF 1