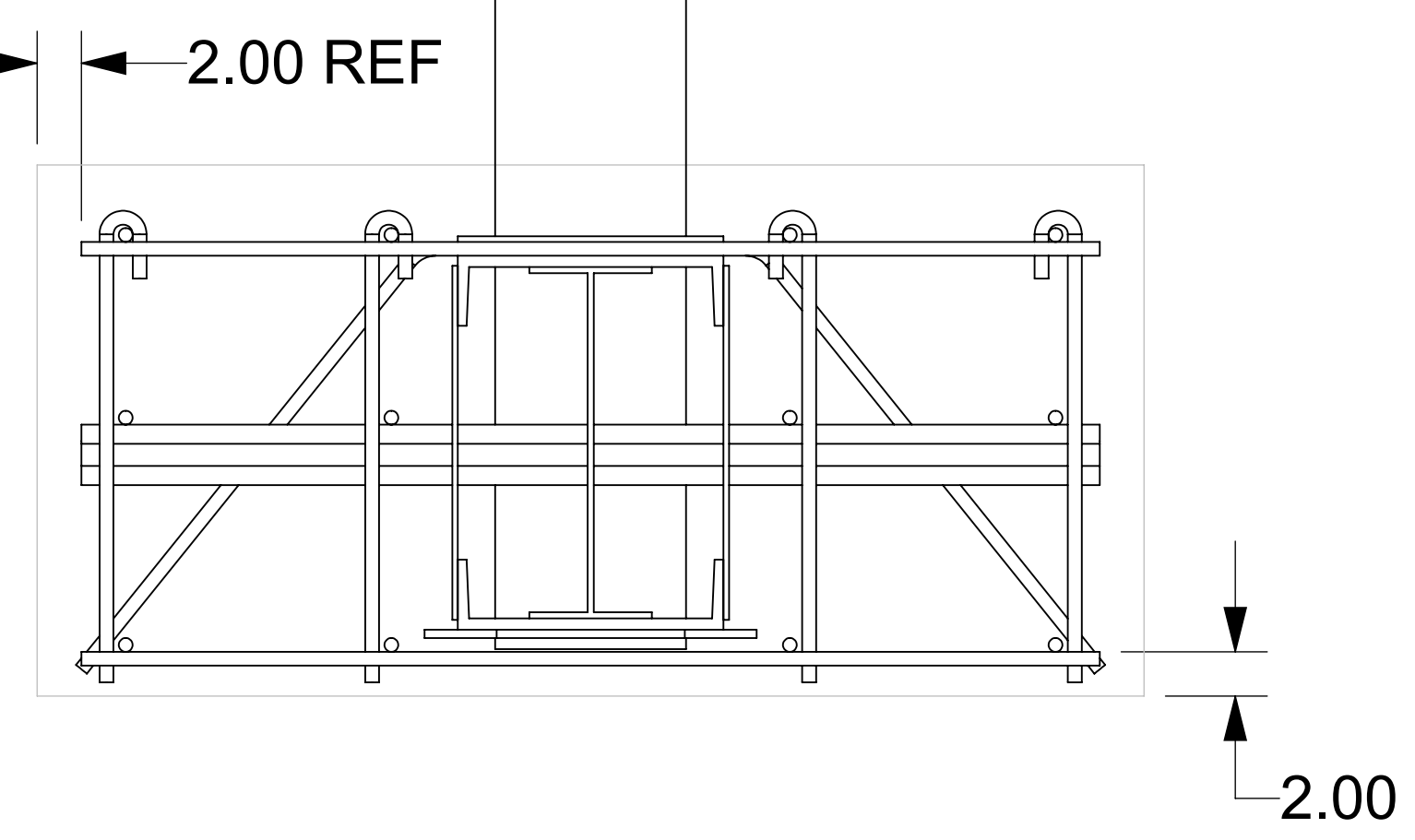
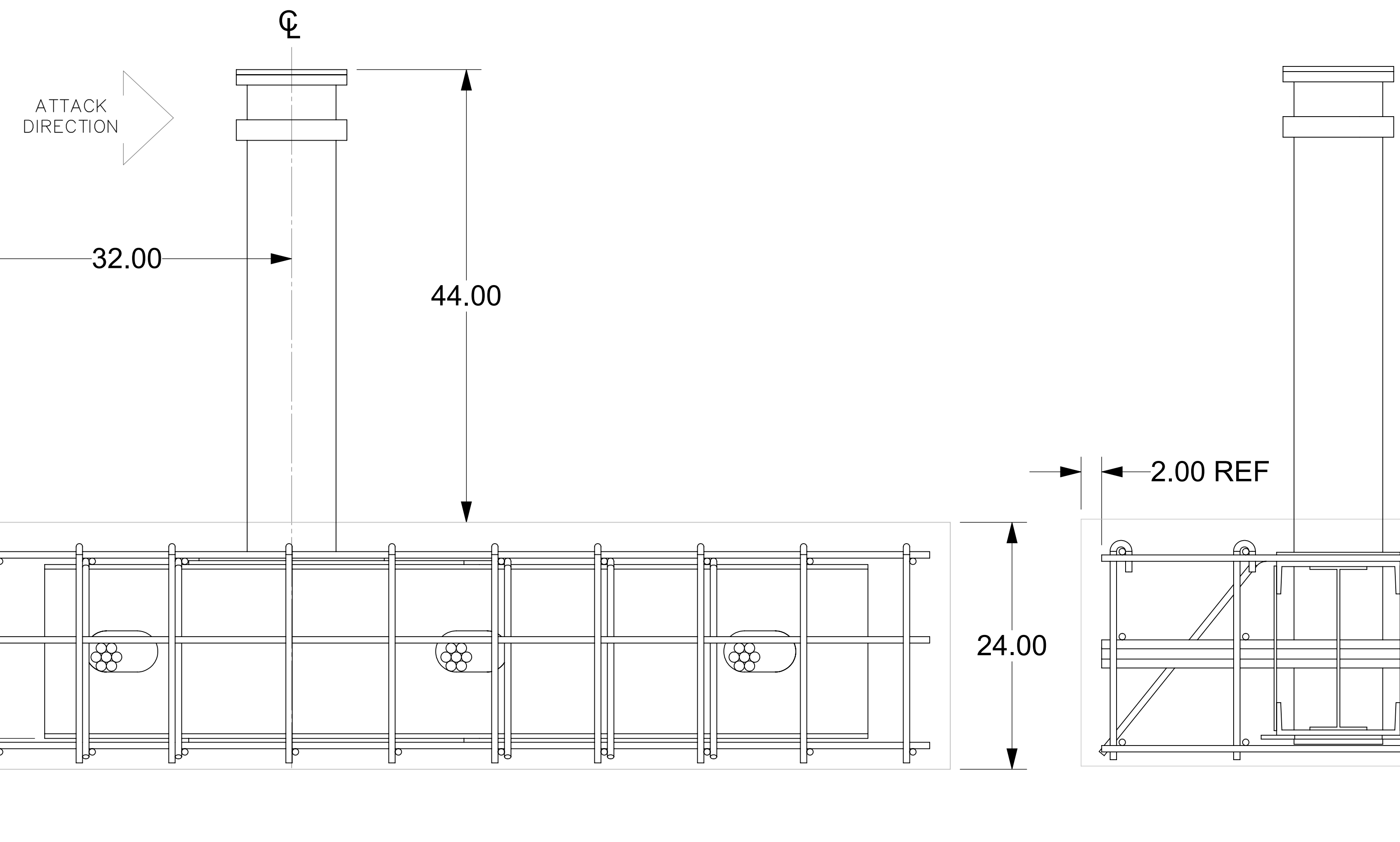
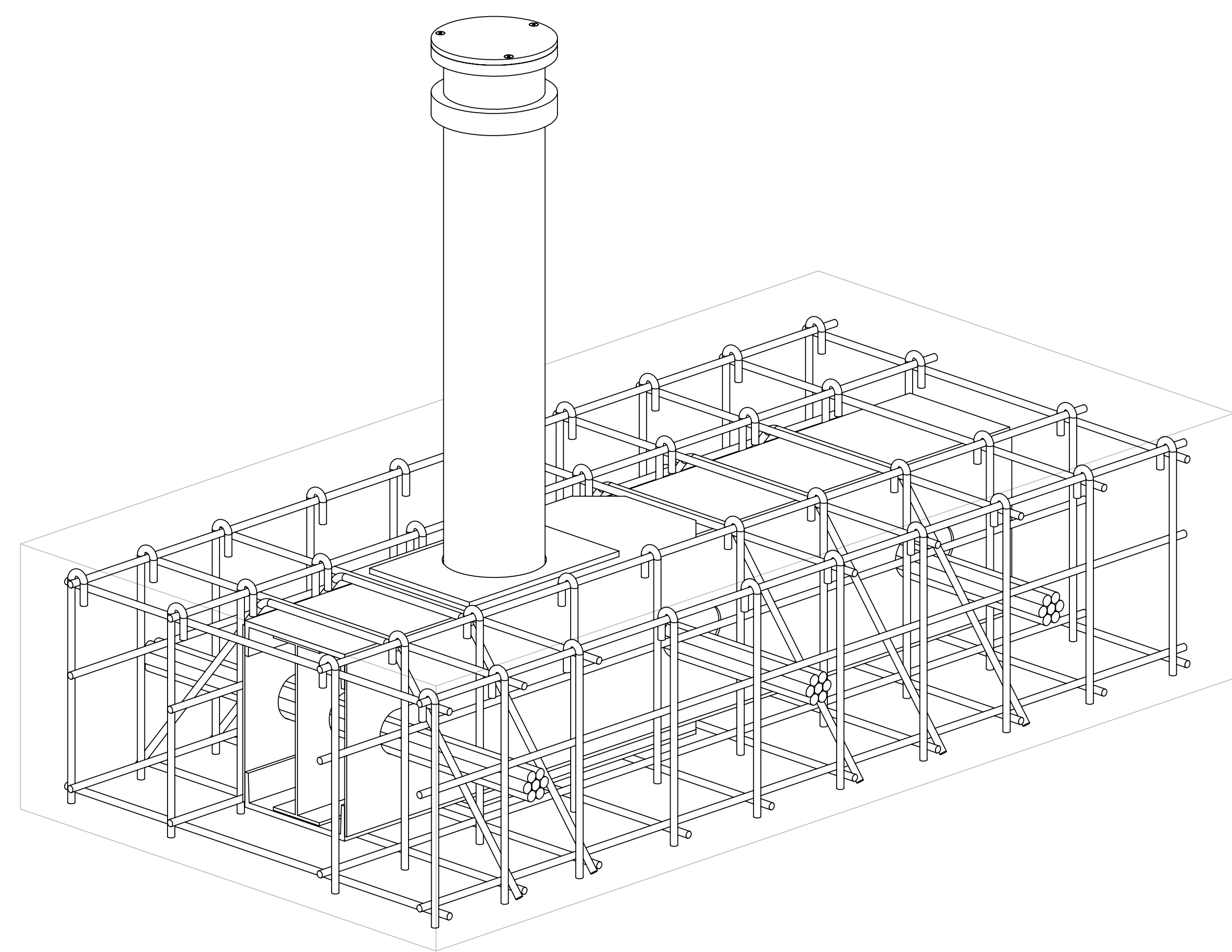
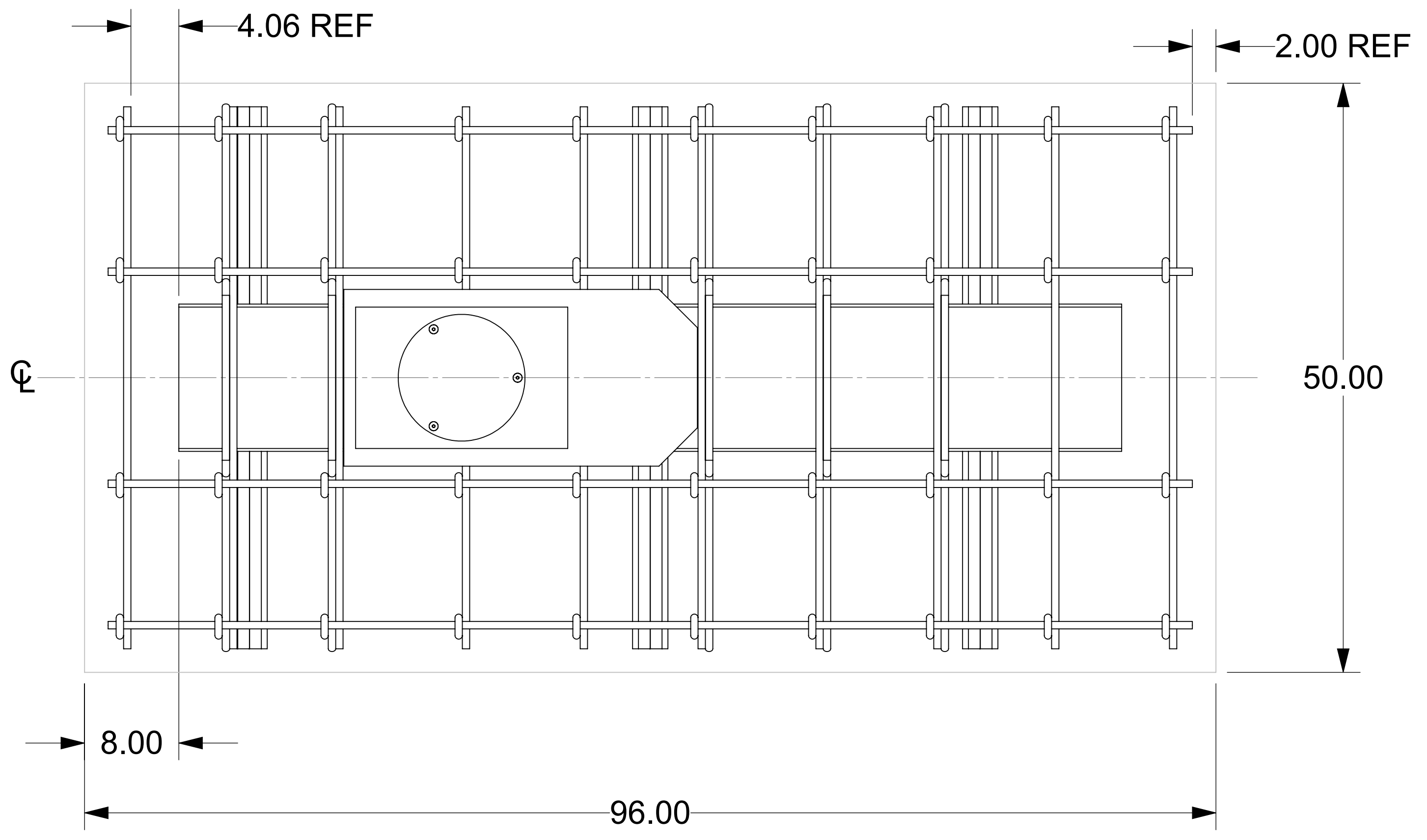


ITEM	QTY	DESCRIPTION	CUT/SHEAR	CUT-L	CUT-W	ENDCUT	WT EA	REF #
1	1	BOLLARD WELDMENT	PART	-	-	-	1261.98	16394
2	1	DSC635 BOLLARD LID					18.03	16175
3	3	BUNDLE OF (7) 46" LONG 1" GRADE 60 REBAR 46" LONG	PART	-	-	-	71.72	-
4	1	DSC633 UPPER REBAR GRID	PART	-	-	-	64.04	16395-01
5	1	DSC633 LOWER REBAR GRID	PART	-	-	-	72.04	16395-02
6	40	DSC633 REBAR HOOK #5 GRADE 40	PART	25	-	-	2.14	16395-03
7	5	STEEL #5 GRADE 40 REBAR (5/8")	CUT	63.25	-	90/90	5.57	16395-04
8	4	STEEL #5 REBAR (5/8") GRADE 40	PART	92.00	-	-	8.00	-
10	3	FLAT SOCKET HEAD, 3/8-16 X 1"					0.01	FHS38161



THIS DRAWING UNLESS OTHERWISE NOTED, REMAINS THE CONFIDENTIAL PROPERTY AND TRADE SECRET OF DELTA SCIENTIFIC CORPORATION. IT SHALL NOT BE REPRODUCED, REPRODUCED OR USED FOR MANUFACTURE, DESIGN OR CONSTRUCTION WITHOUT THE EXPRESS AUTHORIZATION OF DELTA SCIENTIFIC CORPORATION. THE RECURRENT BY ACCEPTING THIS DRAWING ASSUMES CUSTODY THEREOF AND UNDER THE ABOVE TERMS AGREES NOT TO ALLOW USE OF BY UNAUTHORIZED PERSONS.

UNLESS OTHERWISE NOTED DIMENSIONS ARE IN INCHES

TOLERANCES
 X = ± .060/FT
 XX = ± .030/FT
 XXX = ± .010/FT
 ANGLES = ± 5°

SURFACE FINISH
 125 ✓

REMOVE ALL BURRS AND BREAK SHARP EDGES .02 MAX

DELTA SCIENTIFIC CORPORATION
 40355 DELTA LANE
 PALMDALE, CA 93551 U.S.A.
 (861) 575-1000 FAX (861) 575-1109

DSC633 GENERAL ARRANGEMENT AND FOUNDATION SPEC

DRAWN BY	MO	DATE	6/7/2021	DRAWING NO.	16395	REV.	-
CHKD BY		DATE		SCALE:	1:8	SHEET	2 OF 6

© 2020 ALL RIGHTS RESERVED