

8

7

6

5

4

3

2

1

D

D

C

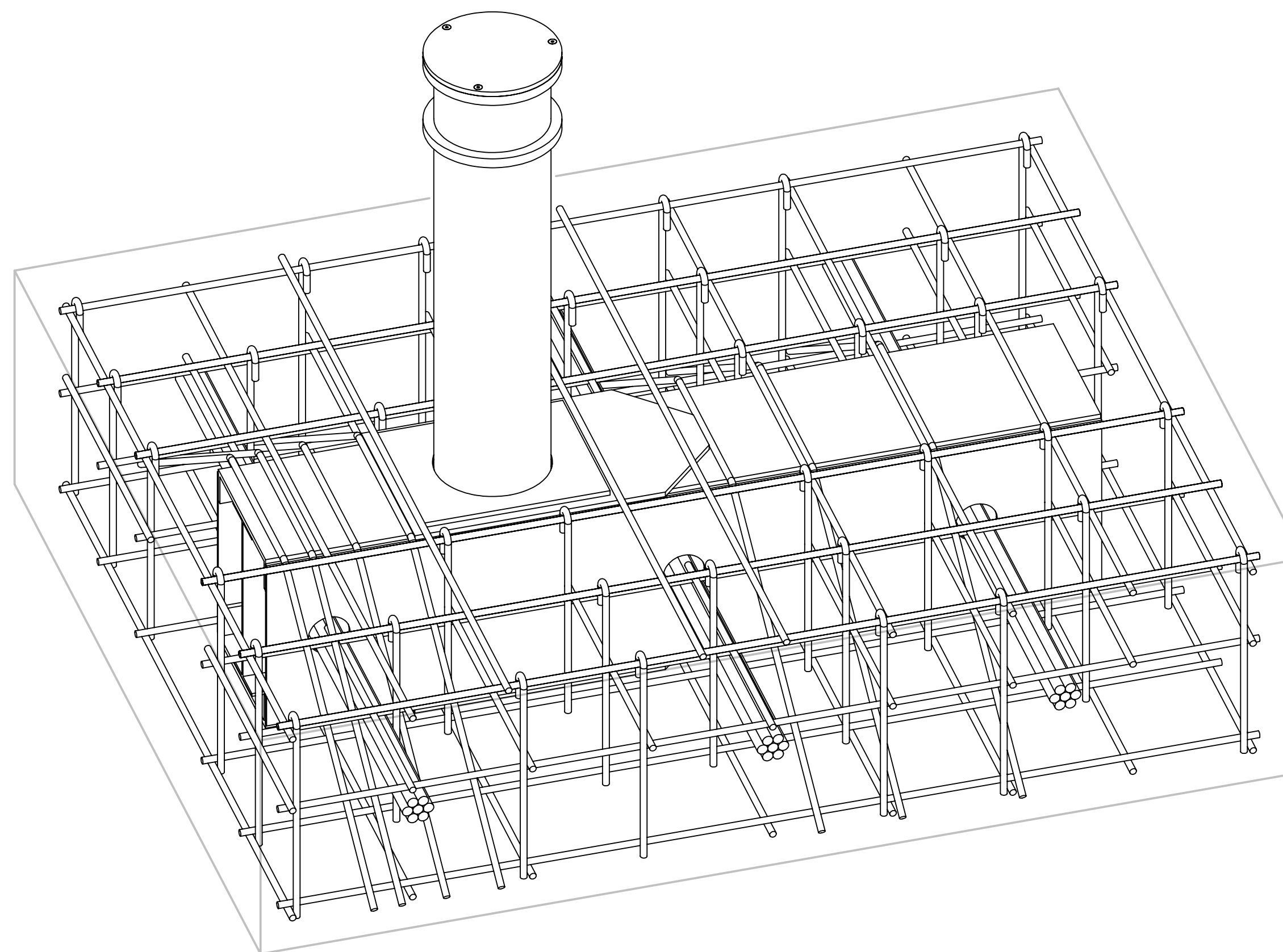
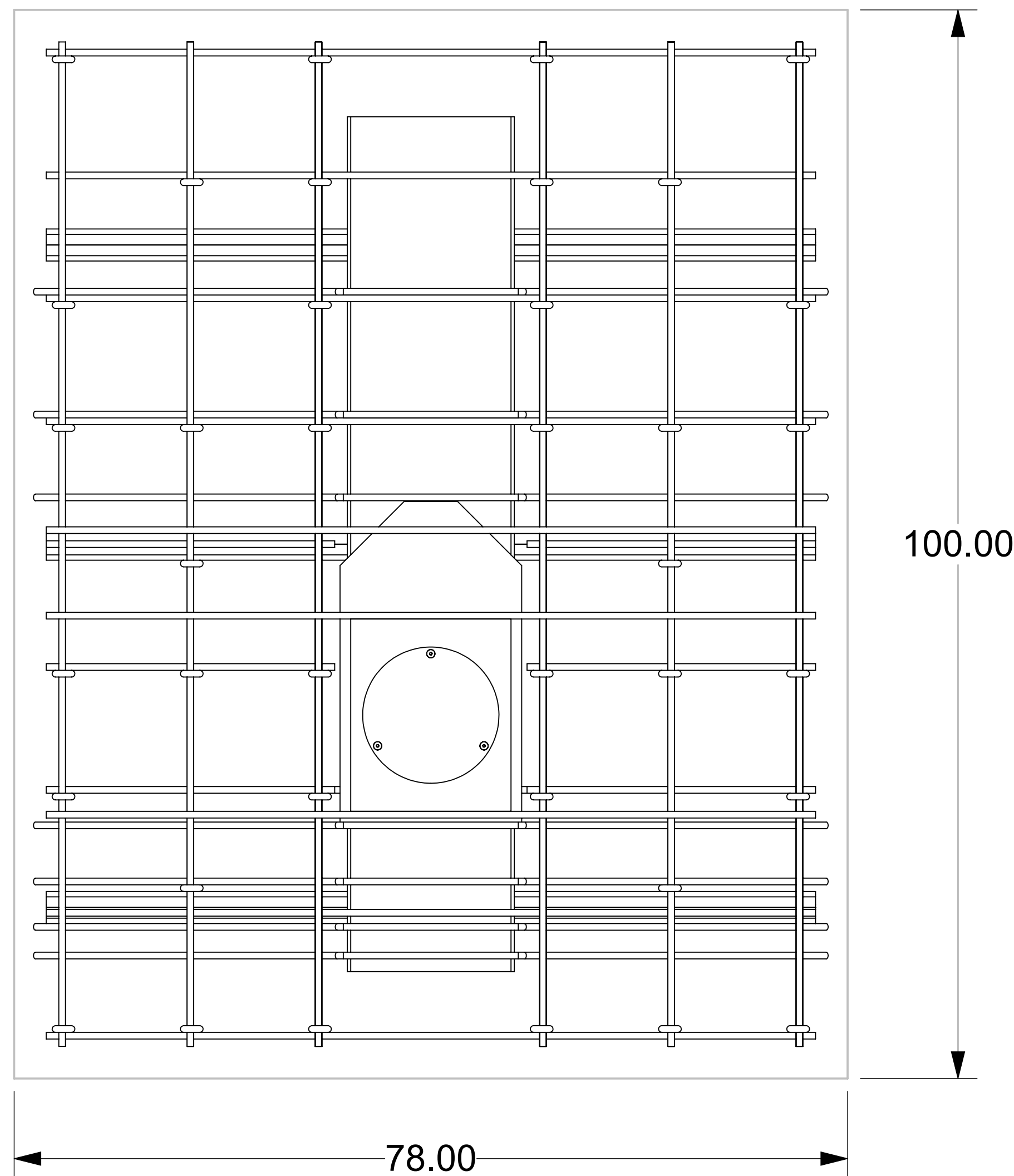
C

B

B

A

A



CONCRETE NOTES & RECOMMENDED SPECIFICATIONS:

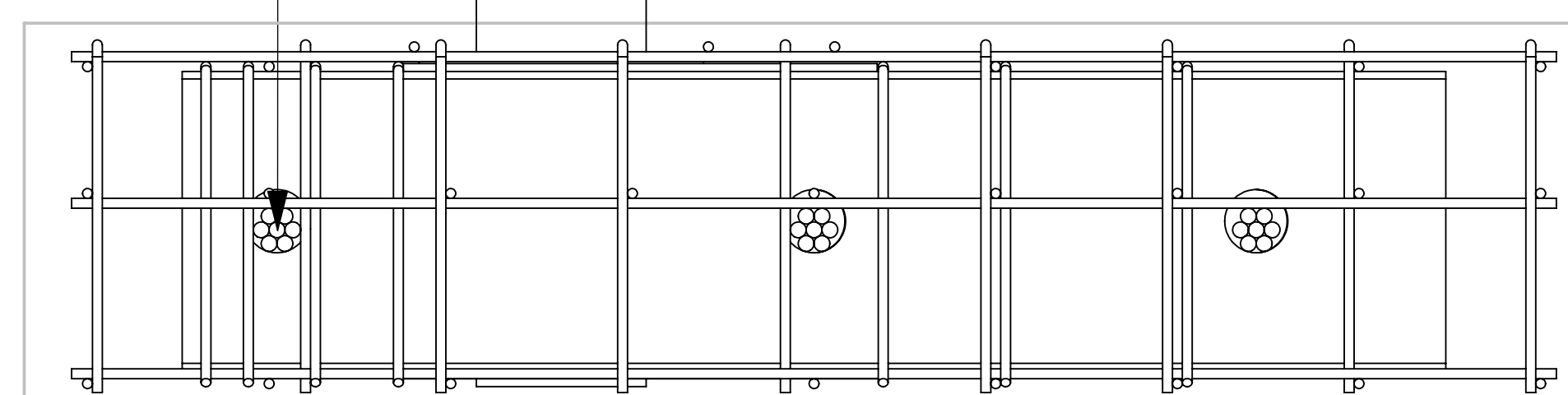
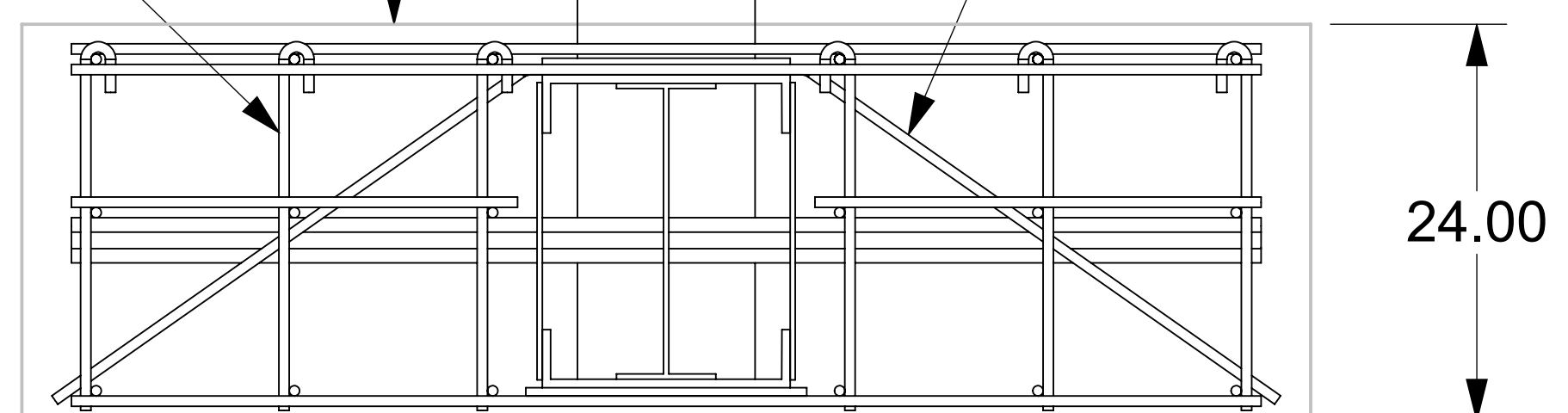
1. CONTRACTOR SHALL VERIFY AND BE RESPONSIBLE FOR ALL DIMENSIONS AND CONDITIONS AT THE JOB SITE.
2. FOUNDATION CONCRETE MAY BE PLACED DIRECTLY INTO NEAT EXCAVATIONS, PROVIDED THE SIDES OF THE EXCAVATION ARE STABLE. WHERE CAVING OCCURS, PROVIDE SHORING. TYPE AND METHOD OF SHORING SHALL BE AT CONTRACTORS OPTION.
3. THE EXCAVATION SHALL BE KEPT DRY AT ALL TIMES. GROUND WATER, IF ENCOUNTERED, SHALL BE PUMPED FROM THE EXCAVATION.
4. CONCRETE SHALL BE LABORATORY DESIGNED, MACHINE MIXED, PRODUCING 4,000 PSI (27.58 MPA) AT 28 DAYS.
5. CEMENT SHALL BE TESTED PORTLAND CEMENT CONFORMING TO ASTM C150, TYPE II ONLY.
6. AGGREGATES SHALL CONFORM TO ASTM C33 & B GRADE PER STANDARD SPECIFICATIONS. MAXIMUM SIZE OF AGGREGATE SHALL BE 1-1/2 INCHES (38mm).
7. REINFORCING STEEL SHALL BE DEFORMED BARS CONFORMING TO ASTM A615, GRADE 60 (60,000 PSI OR 413.7MPA).
8. HOOKS AND BENDS SHALL CONFORM TO ACI STANDARD 318. LATEST REVISION. INSIDE DIAMETER OFF HOOKS AND BENDS SHALL BE AT LEAST SIX (6) BAR DIAMETERS.
9. PROVIDE SPACER BARS, CHAIRS, SPREADERS, BLOCKS, ETC. AS REQUIRED TO POSITIVELY HOLD THE STEEL IN PLACE BEFORE CONCRETE IS POURED.
10. CONCRETE SHALL BE CONVEYED FROM THE MIXER TO FINAL DEPOSIT BY METHODS THAT WILL PREVENT SEPARATION OR LOSS OF MATERIALS.
11. CONCRETE SHALL BE THOROUGHLY CONSOLIDATED BY SUITABLE MEANS DURING PLACEMENT AND SHALL BE THOROUGHLY WORKED AROUND REINFORCEMENT AND EMBEDDED FIXTURES AND CORNERS OF FORMS.
12. CONCRETE SHALL BE MAINTAINED ABOVE 50°F (10°C) AND IN A MOIST CONDITION FOR AT LEAST SEVEN (7) DAYS AFTER PLACEMENT. ADEQUATE EQUIPMENT SHALL BE PROVIDED FOR HEATING CONCRETE MATERIALS AND PROTECTING CONCRETE DURING FREEZING OR NEAR FREEZING WEATHER.
13. WHERE EXTERIOR WALL FACE REQUIRES SHORING AND/OR FORMING, THE FORMS SHALL BE SUBSTANTIAL AND SUFFICIENTLY TIGHT TO PREVENT LEAKAGE. FORMS SHALL NOT BE REMOVED UNTIL THE CONCRETE IS SEVEN (7) DAYS OLD.
14. BACKFILLING SHALL BE DONE BY DEPOSITING AND TAMPING INTO PLACE CLEAN SAND OR POURING LEAN CONCRETE, TO 95% COMPACTION. WATER JETTING SHALL NOT BE ALLOWED.
15. CONDUITS AND PIPES OF ALUMINUM SHALL NOT BE ALLOWED.
16. CONSTRUCTION JOINTS NOT INDICATED ON THE DRAWINGS SHALL NOT BE ALLOWED. WHERE A CONSTRUCTION JOINT IS TO BE MADE, THE SURFACE OF THE CONCRETE SHALL BE THOROUGHLY CLEANED AND ALL LAITANCE AND STANDING WATER REMOVED.
17. CONTRACTOR SHALL BE RESPONSIBLE FOR THE PROTECTION OF ALL ADJACENT AREAS AGAINST DAMAGE AND SHALL REPAIR OR PATCH ALL DAMAGED AREAS TO MATCH EXISTING IMPROVEMENTS.
18. CONTRACTOR SHALL KEEP THE CONSTRUCTION AREA CLEAN AT ALL TIMES AND AT COMPLETION OF WORK, REMOVE ALL SURPLUS MATERIALS, EQUIPMENT AND DEBRIS AND LEAVE THE PREMISES IN A CLEAN CONDITION ACCEPTABLE TO THE OWNER OR OWNER'S REPRESENTATIVE.

44.00

6X BENT, ANGLED REBAR

3X REBAR BUNDLES

VERTICAL REBAR WITH HOOK



THIS DRAWING UNLESS OTHERWISE NOTED, REMAINS THE CONFIDENTIAL PROPERTY AND TRADE SECRET OF DELTA SCIENTIFIC CORPORATION. IT SHALL NOT BE REPRODUCED, REPRODUCED OR USED FOR MANUFACTURE, DESIGN OR CONSTRUCTION WITHOUT THE EXPRESS AUTHORIZATION OF DELTA SCIENTIFIC CORPORATION. THE RECURRENCE BY ACCEPTING THIS DRAWING ASSUMES CUSTODY THEREOF AND UNDER THE ABOVE TERMS AGREES NOT TO ALLOW USE OF BY UNAUTHORIZED PERSONS.

TOLERANCES
 X = ± .060/FT
 XX = ± .030/FT
 XXX = ± .010/FT
 ANGLES = ± 5°

SURFACE FINISH
 125 ✓

REMOVE ALL BURRS AND BREAK SHARP EDGES .02 MAX

DELTA SCIENTIFIC CORPORATION
 40355 DELTA LANE
 PALMDALE, CA 93551 U.S.A.
 (861) 575-1000 FAX (861) 575-1109

DSC635 SINGLE BOLLARD GENERAL ARRANGEMENT

DRAWN BY MO	DATE 4/6/21	DRAWING NO. 16341	REV. -
CHKD BY	DATE	SCALE 1:10	SHEET 1 OF 1
APPV BY	DATE		

8

7

6

5

4

3

2

1