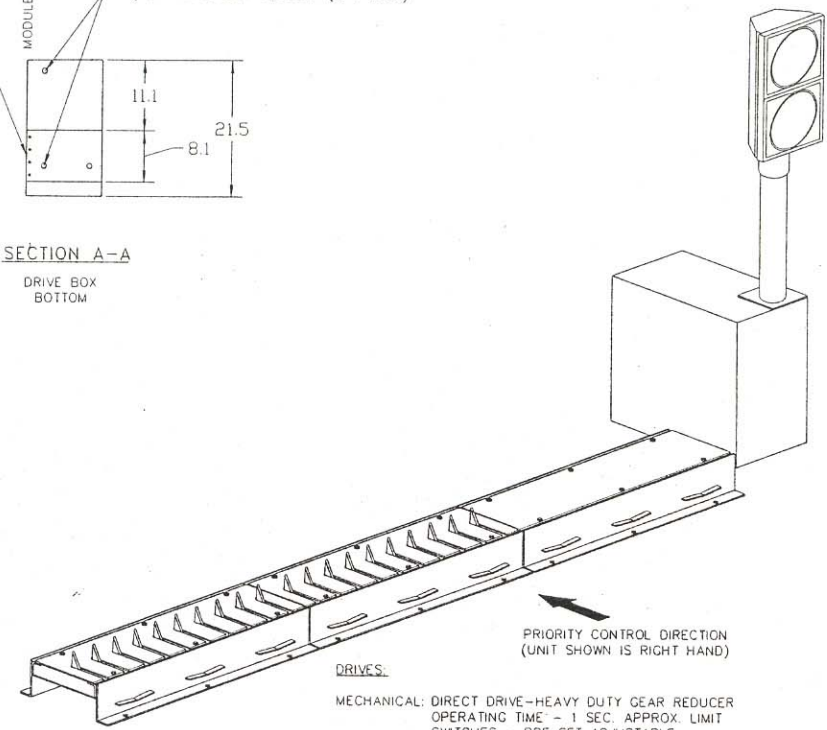
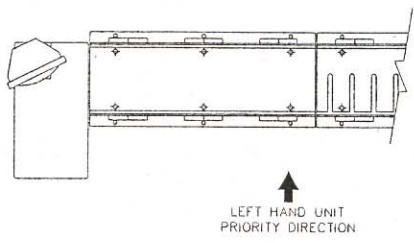
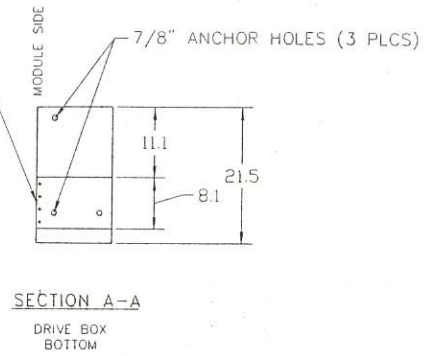
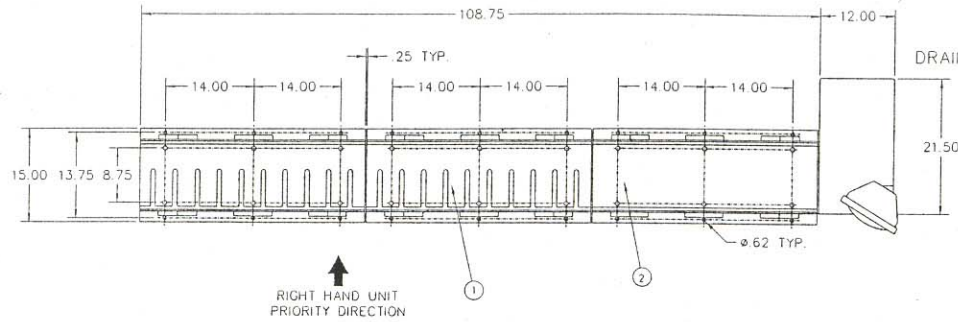


ITEM	REQ'D	DESCRIPTION	STK. NO.
1	2	TOOTH MODULE ASSEMBLY	MTC31-17
2	1	TUNNEL MODULE ASSEMBLY	MTC31-25
3	1	DRIVE BOX ASSEMBLY	---
4 *	(1)	SIGNAL LIGHT	MPL-10
5 *	(1)	SIGNAL LIGHT POST X' L/G	MPL-18(X)

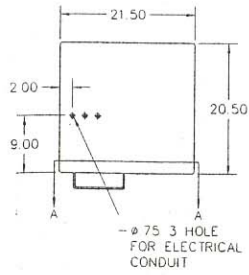
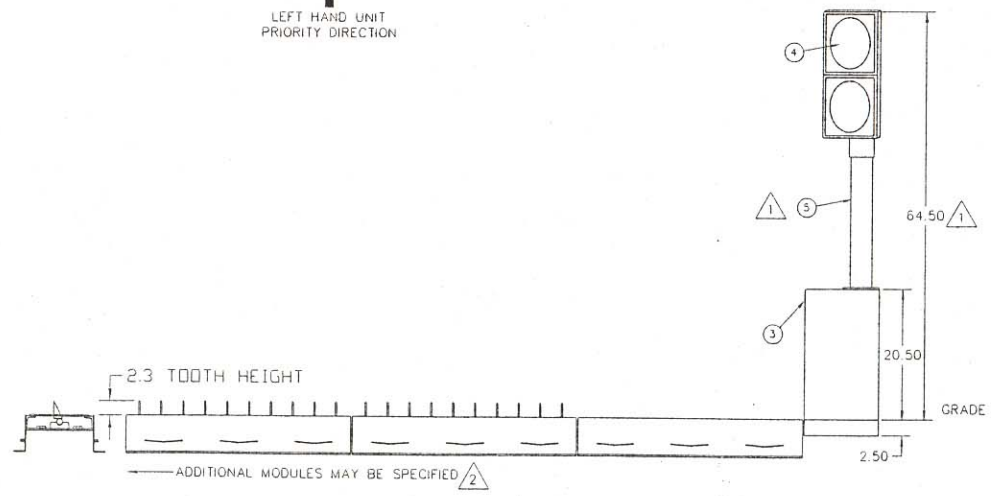
* AVAILABLE OPTIONS



DRIVES:
MECHANICAL: DIRECT DRIVE-HEAVY DUTY GEAR REDUCER
OPERATING TIME - 1 SEC. APPROX. LIMIT SWITCHES - PRE SET ADJUSTABLE
EMERGENCY MANUAL OPERATION AVAILABLE

ELECTRICAL: OPERATES IN 1/2 HP 120/1/60 (240/1/50-60 AVAIL.)
FROM CUSTOMERS DISCONNECT/SHORT CIRCUIT DEVICE.
ELECTRICAL AND MECHANICAL INTERLOCK - PREWIRED.

- 1 HEIGHT OF SIGNAL LIGHT WITH STD. POST
77" W/36" POST
89" W/48" POST
- 2 ADDITIONAL TOOTH AND/OR TUNNEL MODULES CAN BE
ADDED UP TO A TOTAL OF 10.



REVISED TITLE BLOCK AND DETAILS		JNF	03/11/97	DATE	APPROV BY
REV.	DESCRIPTION	DATE	DATE	DATE	DATE
UNLESS OTHERWISE NOTED DIMENSIONS ARE IN INCHES		DELTA SCIENTIFIC CORPORATION 21801 NEEL AVE. STAMFORD VALENCIA, CA 91325 U.S.A. (805) 257-1800 FAX (805) 257-0817			
TOLERANCES F ± .040/IT M ± 0.030/IT H ± 0.010/IT ANGLES ± 3°		DELTA MODEL MTC31FM GENERAL ARRANGEMENT			
DRWN BY	DATE	ISSUING NO.	REV.		
E.S.	09/11/92	4504	A		
CHGD BY	DATE	SCALE	SHEET	1 OF 1	
		1:10			