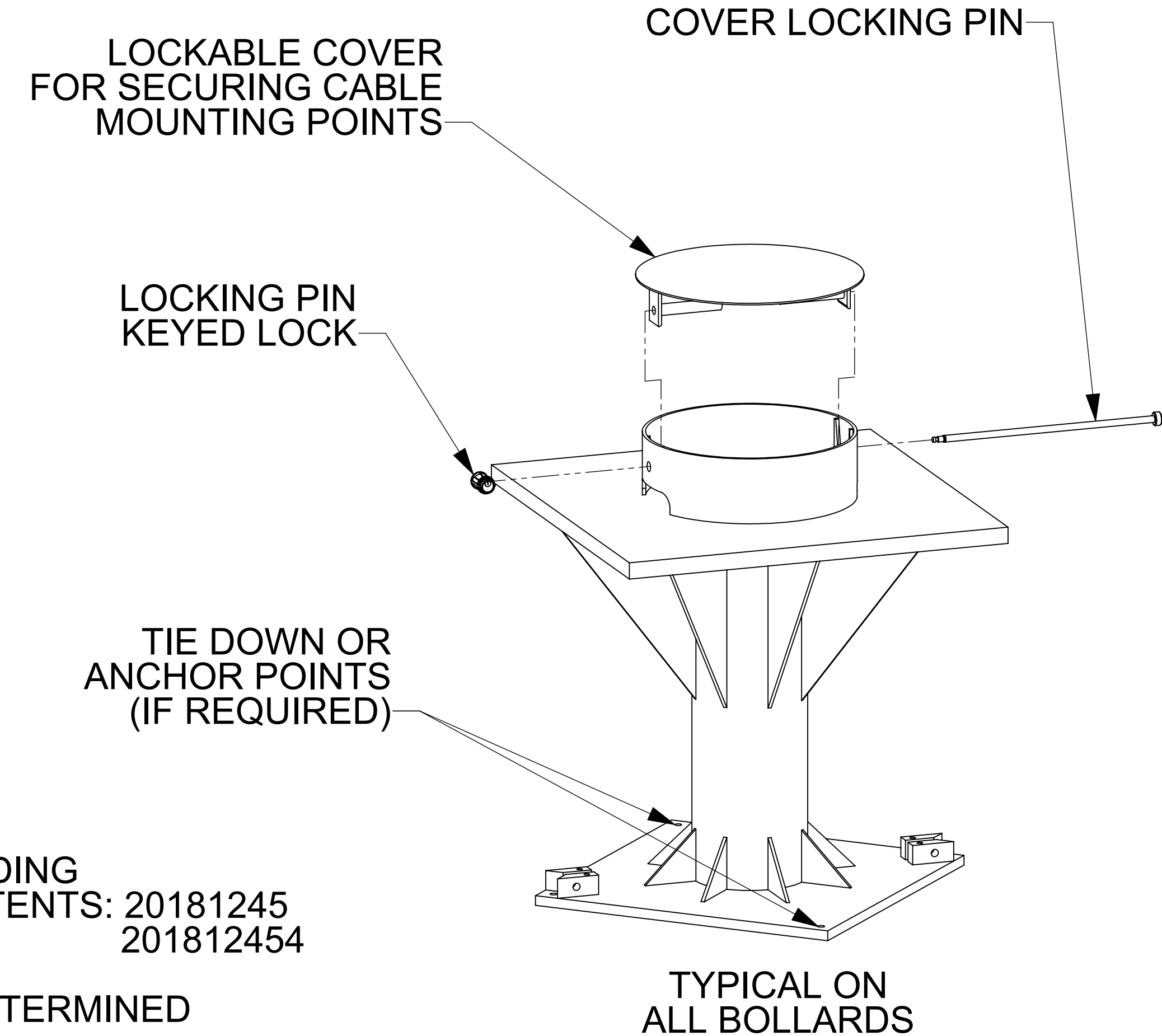
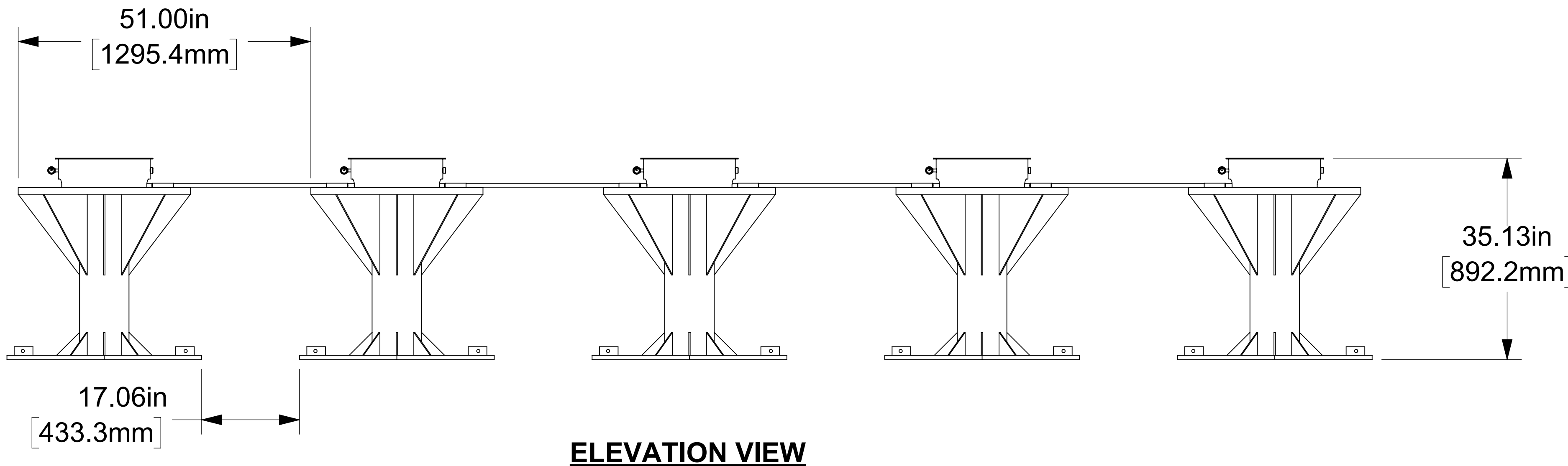
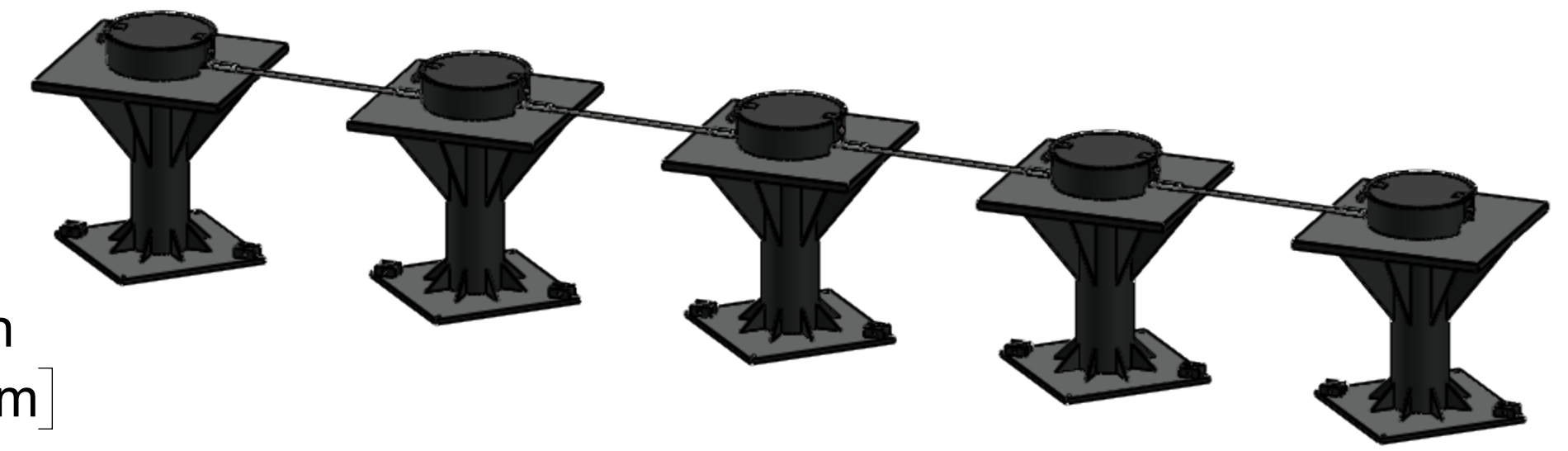
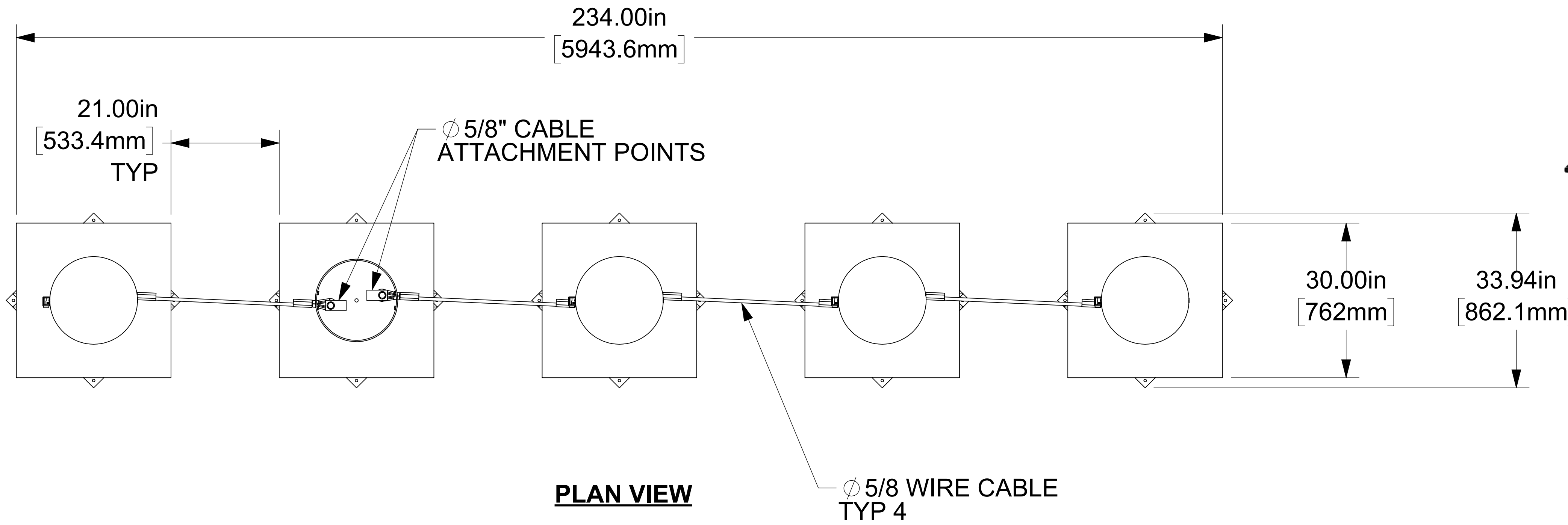


ITEM	QTY	DESCRIPTION	WT EA	REF #
1	5	BOLLARD AND TOP COVER ASSEMBLY	695.65	15281
2	4	5/8" WIRE CABLE SLING	5.53	15159-08



NOTES:

1. TB 100 SERIES PATENTS PENDING
AUSTRALIAN DESIGN PATENTS: 20181245
201812454
2. COLOR AND FINISH: TO BE DETERMINED
3. STRIPE OPTIONS:
 - WHITE WITH YELLOW OR BLACK STRIPES
 - YELLOW WITH BLACK STRIPES
 - WHITE WITH RED STRIPES

THE SYSTEM HAS BEEN TESTED IN FULL SCALE CONFIGURATION AT AN INDEPENDENT TESTING LABORATORY AND IS CRASH RATED TO M30 P3 STANDARDS.

THIS BOLLARD ARRAY CAN BE SITED ON EXISTING CONCRETE OR ASPHALT ROADWAYS OR SIDEWALKS. NO EXCAVATION OR SUB-SURFACE PREPARATION IS REQUIRED.

<small>THIS DRAWING UNLESS OTHERWISE NOTED, REMAINS THE CONFIDENTIAL PROPERTY AND TRADE SECRET OF DELTA SCIENTIFIC CORPORATION. IT SHALL NOT BE DISCLOSED, REPRODUCED OR USED FOR MANUFACTURE, DESIGN OR CONSTRUCTION WITHOUT THE EXPRESS AUTHORIZATION OF DELTA SCIENTIFIC CORPORATION. THE RECIPENT BY ACCEPTING THIS DRAWING, ASSUMES CUSTODY THEREOF AND UNDER THE ABOVE TERMS AGREES NOT TO ALLOW USE OF IT BY UNAUTHORIZED PERSONS.</small>		<small>UNLESS OTHERWISE NOTED DIMENSIONS ARE IN INCHES</small>		DELTA SCIENTIFIC CORPORATION 40355 DELTA LANE PALMDALE, CA 93551 U.S.A. (661) 575-1000 FAX (661) 575-1109	
TOLERANCES X = ± .060/FT XX = ± .030/FT XXX = ± .010/FT ANGLES = ± 5°		SURFACE FINISH 125 ✓		DELTA	
<small>REMOVE ALL BURRS AND BREAK SHARP EDGES .02 MAX</small>		<small>© 2017 ALL RIGHTS RESERVED</small>		TB-100 GENERAL ARRANGEMENT 5 BOLLARD CABLED ARRAY	
DRAWN BY: MCG DATE: 6/8/2018	CHECKED BY: DATE:	APPV BY: DATE:	DRAWING NO.: 90485-100	REV.: -	SCALE: 1:14 SHEET 1 OF 1