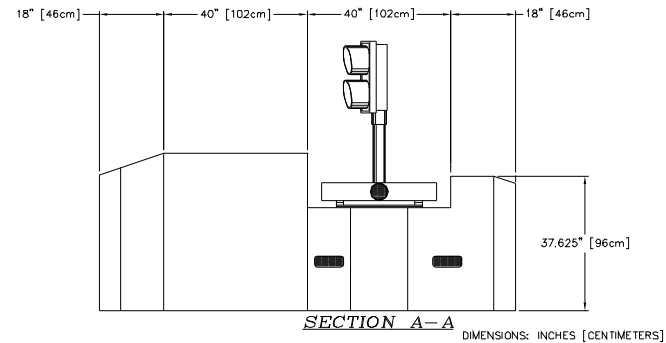
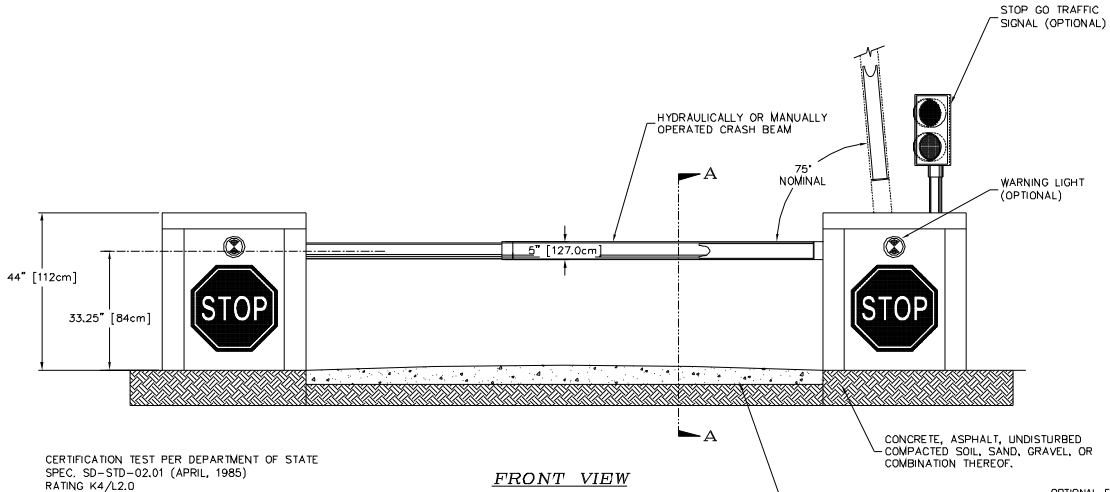


ISOMETRIC DETAIL
 MODULES CAN BE FILLED REMOTELY AND SITED AS NEEDED, OR THEY MAY BE FILLED ON SITE.



CERTIFICATION TEST PER DEPARTMENT OF STATE SPEC. SD-ST-02.01 (APRIL, 1985) RATING K4/L2.0
 UNIT REQUIRES 7.25 CUBIC YARDS [5.52 CUBIC METERS] OF CONCRETE TO FILL THE MODULE PODS. THIS UNIT IS NOT RATED FOR OTHER TYPES OF FILL MEDIA.

FRONT VIEW

OPTIONAL FEATURES INCLUDE

	PART NO.
(A) HEATER, 200 WATTS @ 120 VOLTS	B3020
(A) HEATER, 200 WATTS @ 240 VOLTS	B3021
(B) LIMIT SWITCH, FULLY UP	B3010
(C) LIMIT SWITCH, FULLY DOWN	B3011

D	CLARIFIED TRAFFIC DIRECTION	JNF	06/21/02	
REV.	DESCRIPTION	DRWN BY	DATE	APPVD BY
	UNLESS OTHERWISE NOTED DIMENSIONS ARE IN INCHES			
	TOLERANCES	DELTA SCIENTIFIC CORPORATION 2450 WEST AVE. STANFORD VALLENCA, CA 91555 U.S.A. (805) 257-1800 FAX (805) 257-0617		
	<small>ALL DIMENSIONS ARE TO FACE UNLESS OTHERWISE SPECIFIED. DIMENSIONS OF COMPONENTS ARE TO CENTER UNLESS OTHERWISE SPECIFIED. DIMENSIONS OF HOLES ARE TO CENTER UNLESS OTHERWISE SPECIFIED. DIMENSIONS OF HOLES ARE TO CENTER UNLESS OTHERWISE SPECIFIED. DIMENSIONS OF HOLES ARE TO CENTER UNLESS OTHERWISE SPECIFIED. DIMENSIONS OF HOLES ARE TO CENTER UNLESS OTHERWISE SPECIFIED.</small>	TRANSPORTABLE BEAM BARRIER FOR QUICK DEPLOYMENT, MODEL IP500		
	<small>UNLESS OTHERWISE SPECIFIED ALL DIMENSIONS ARE TO FACE UNLESS OTHERWISE SPECIFIED. DIMENSIONS OF COMPONENTS ARE TO CENTER UNLESS OTHERWISE SPECIFIED. DIMENSIONS OF HOLES ARE TO CENTER UNLESS OTHERWISE SPECIFIED. DIMENSIONS OF HOLES ARE TO CENTER UNLESS OTHERWISE SPECIFIED.</small>	DRAWN BY F. GARCIA DATE 4/2/99	DRAWING NO. 90030	REV. D
© 1999	REMOVE ALL BARRIERS & BEAMS SHARP EDGES (2\"/>	SCALE 1:16 (0 SIZE)	SHEET 1 OF 1	