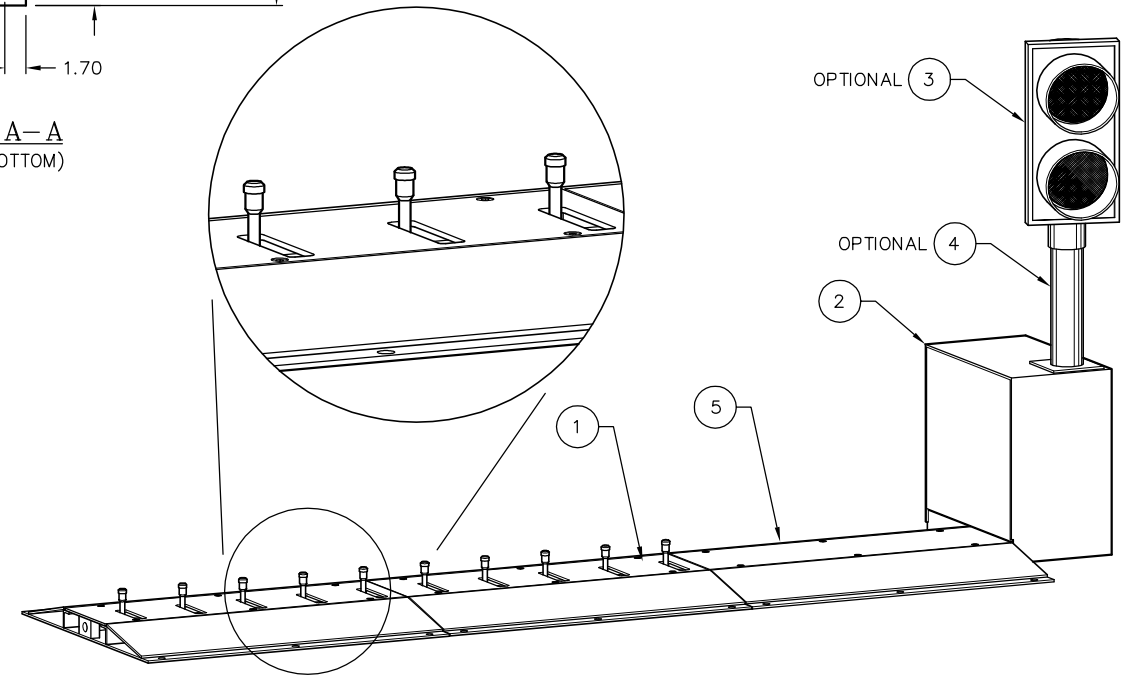
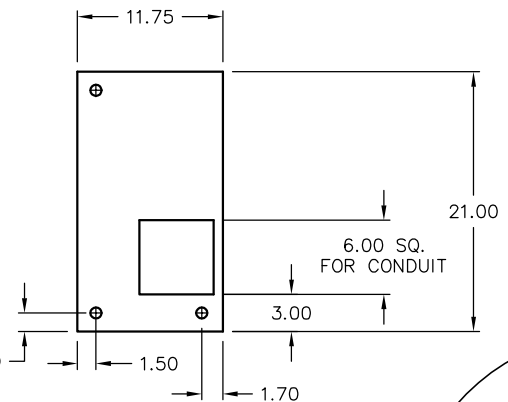
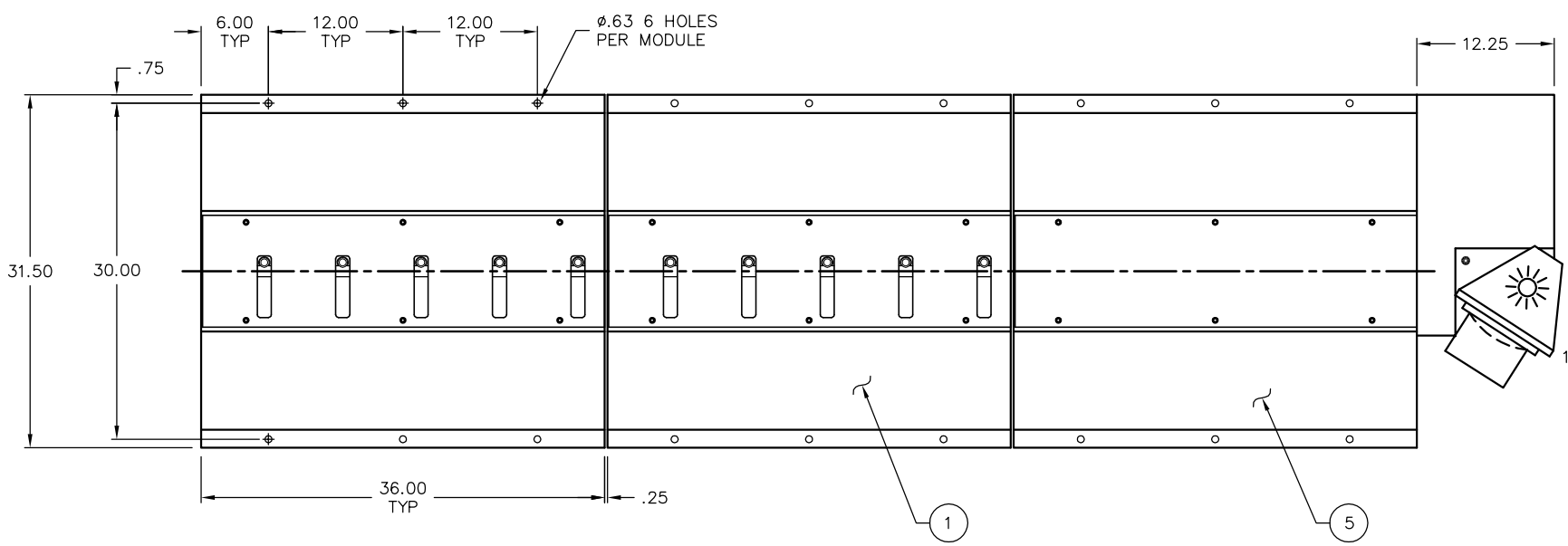


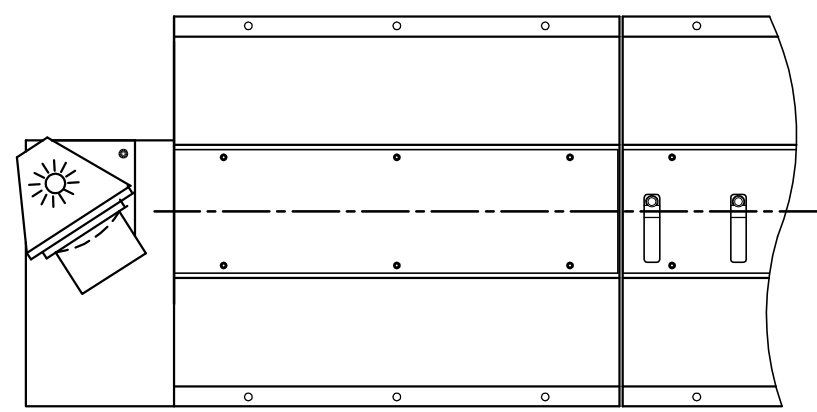
ITEM	REQ'D	DESCRIPTION/MATERIAL	WT EA	TOT WT	REF NO
1	3	SPIKE MODULE ASSEMBLY	209.0	627.0	7760
2	1	DRIVE BOX ASSEMBLY	200.0	200.0	2838-00
3	1	SIGNAL LIGHT, 8" STOP/GO (OPTIONAL)	24.0	24.0	MPL-10
4	1	SIGNAL LIGHT POST 'X' INCHES TALL (OPTIONAL)	17.0	17.0	MPL-18'X'
5	1	TUNNEL ASSEMBLY	180.0	180.0	-

TOTAL WEIGHT: 1,048.0

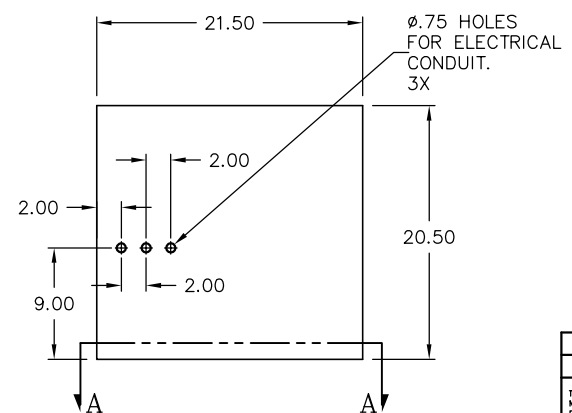
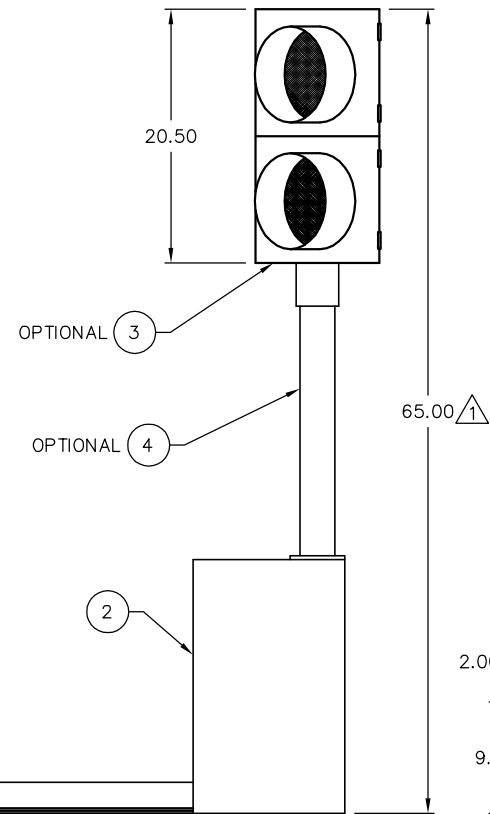
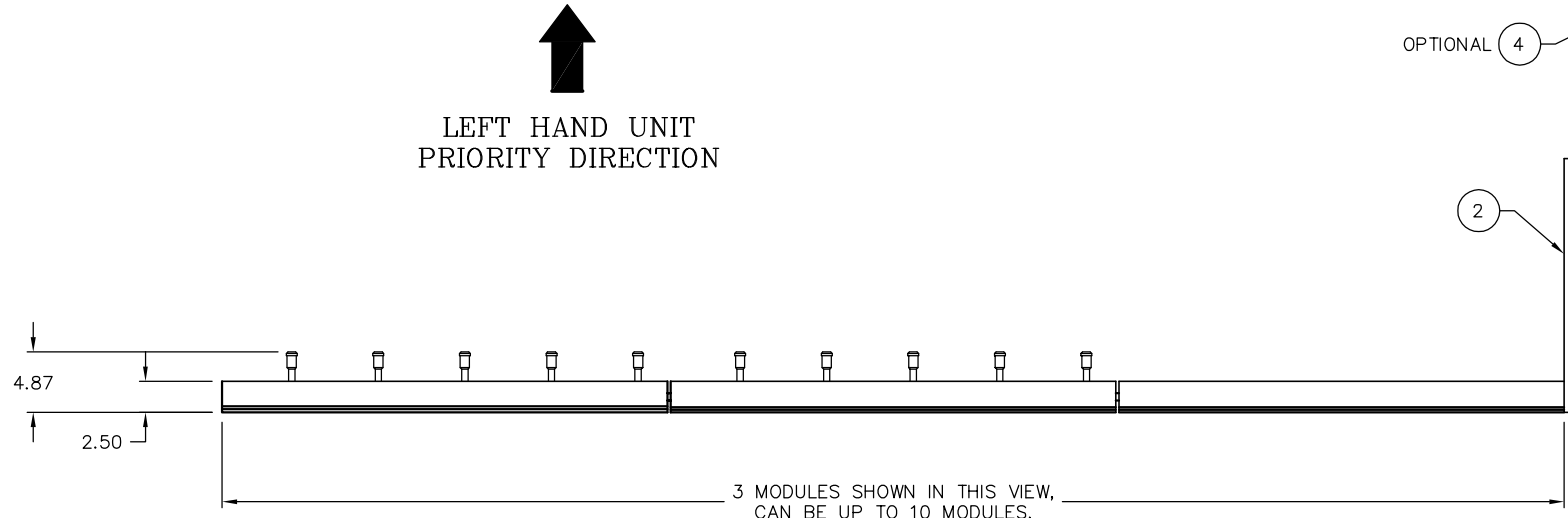


ISOMETRIC VIEW
(RIGHT HAND UNIT SHOWN)

RIGHT HAND UNIT
PRIORITY DIRECTION



LEFT HAND UNIT
PRIORITY DIRECTION



- DRIVES:
MECHANICAL: DIRECT DRIVE-HEAVY DUTY WORM GEAR REDUCER
OPERATING TIME- 3 SEC. APPROX.
LIMIT SWITCHES- PRESET-ADJUSTABLE
EMERGENCY MANUAL OPERATION AVAILABLE
- ELECTRICAL: OPERATES ON 1/2 HP 120/1/60 (240/1/50-60 AVAIL.)
FROM CUSTOMERS DISCONNECT/SHORT CIRCUIT DEVICE.
ELECTRICAL AND MECHANICAL INTERLOCK-PREWired.
- ① HEIGHT OF SIGNAL LIGHT WITH STD POST.
77" W/ 36" POST, ADD 26 LBS.
89" W/ 48" POST, ADD 37 LBS.
- ② ADDITIONAL SPIKE MODULES CAN BE ADDED
UP TO A TOTAL OF 10.

REV.	DESCRIPTION	MD	DATE	APPVD BY	DATE
B	ECO 2005-99		5/23/05		

<small>THIS DRAWING UNLESS OTHERWISE NOTED, REMAINS THE CONFIDENTIAL PROPERTY AND TRADE SECRET OF DELTA SCIENTIFIC CORPORATION. IT SHALL NOT BE DISCLOSED, REPRODUCED OR USED FOR MANUFACTURE, DESIGN OR CONSTRUCTION WITHOUT THE EXPRESS AUTHORIZATION OF DELTA SCIENTIFIC CORPORATION. THE RECIPIENT BY ACCEPTING THIS DRAWING, ASSUMES CUSTODY THEREOF AND UNDER THE ABOVE TERMS AGREES NOT TO ALLOW USE OF BY UNAUTHORIZED PERSONS.</small>		<small>UNLESS OTHERWISE NOTED DIMENSIONS ARE IN INCHES</small>	
TOLERANCES .X = ±.060/FT .XX = ±.030/FT .XXX = ±.010/FT ANGLES = ±.5°			
SURFACE FINISH 125		DELTA SCIENTIFIC CORPORATION 24901 WEST AVE. STANFORD VALENCIA, CA 91355 U.S.A. (805) 257-1800 FAX (805) 257-0617	
© 1996 ALL RIGHTS RESERVED REMOVE ALL BURRS & BREAK SHARP EDGES .02 MAX		MODEL MTC6000 SABRE TOOTH® GENERAL ARRANGEMENT	
DRWN BY R.ROBREDO	DATE 2-5-99	DRAWING NO. 7759	REV. B
CHKD BY	DATE	SCALE: 1 : 8	SHEET 1 OF 1
APPVD BY	DATE		

