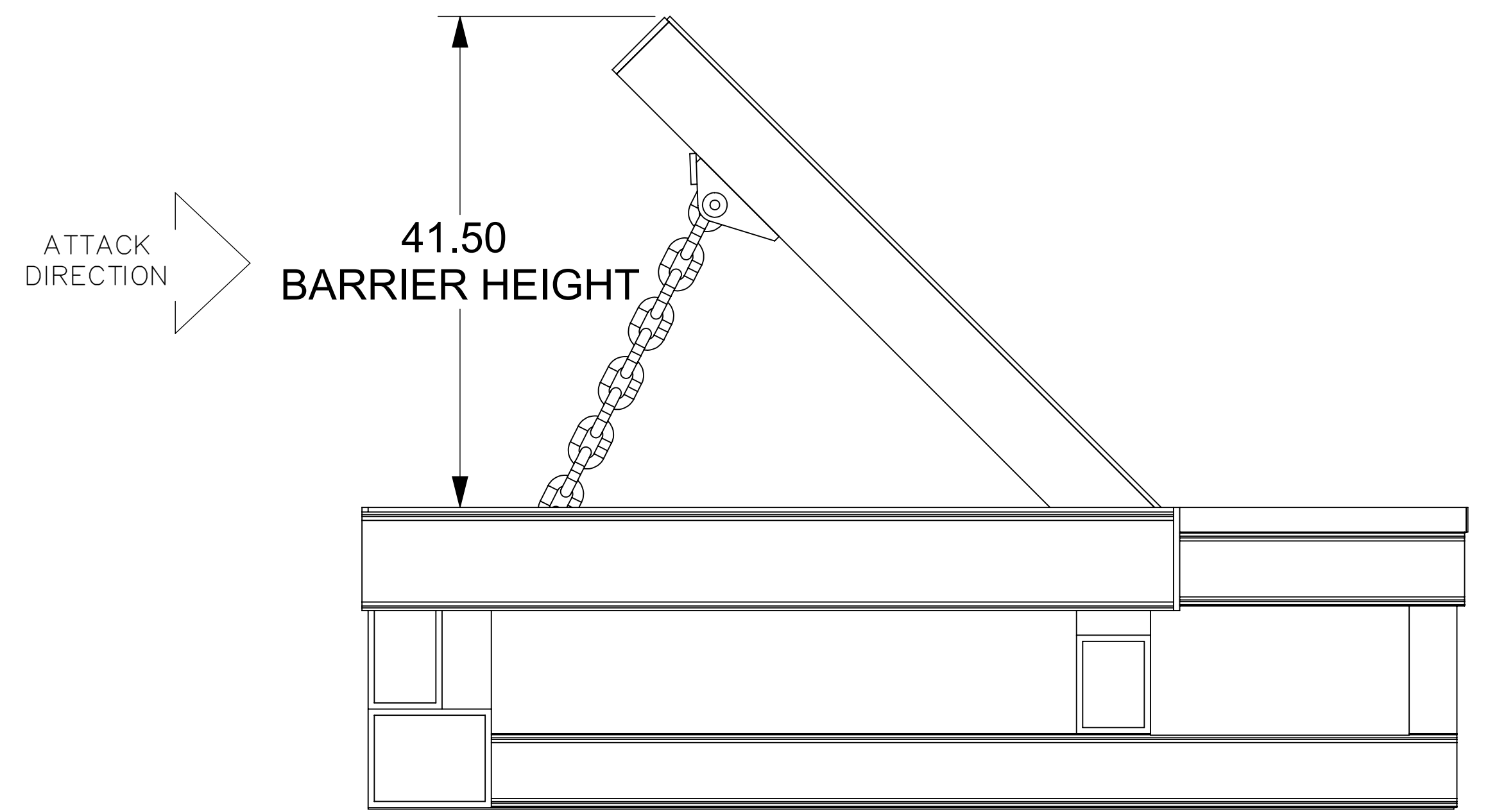
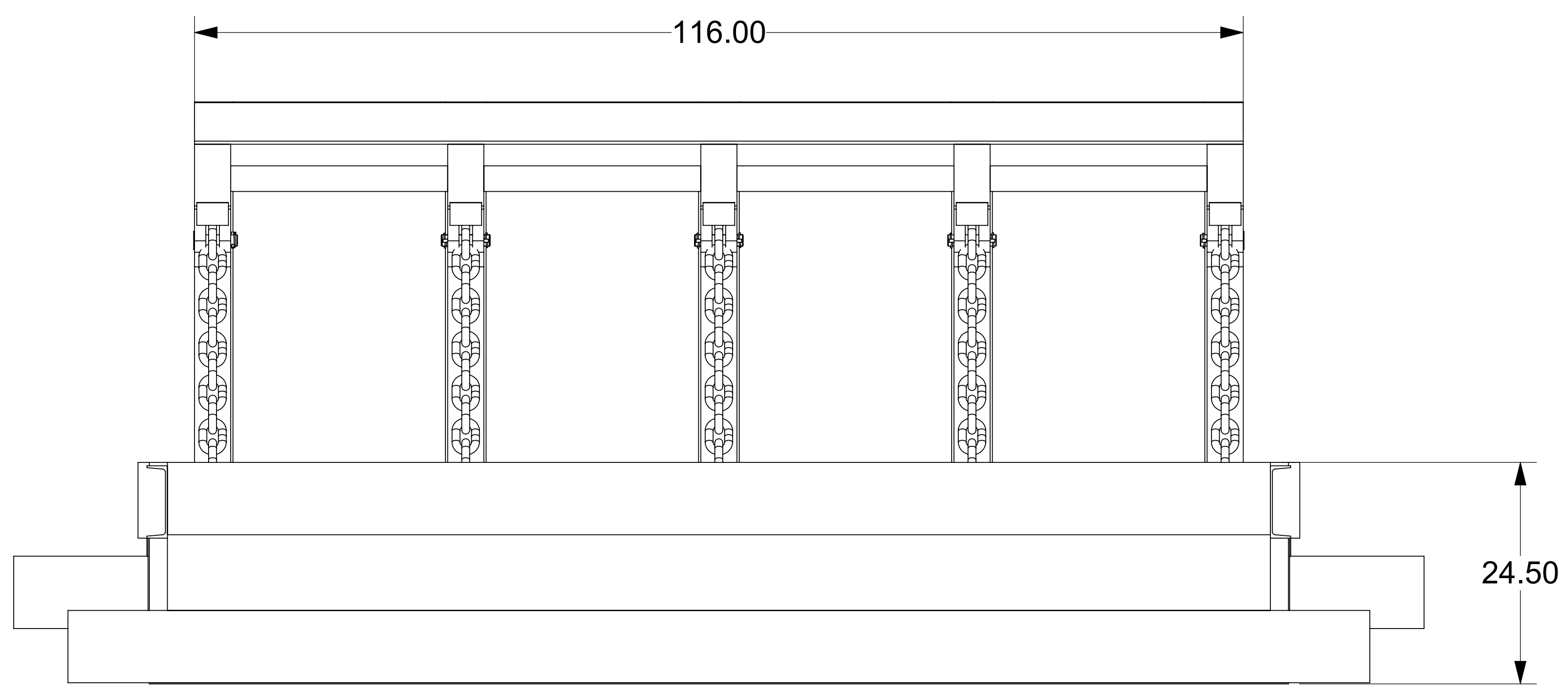
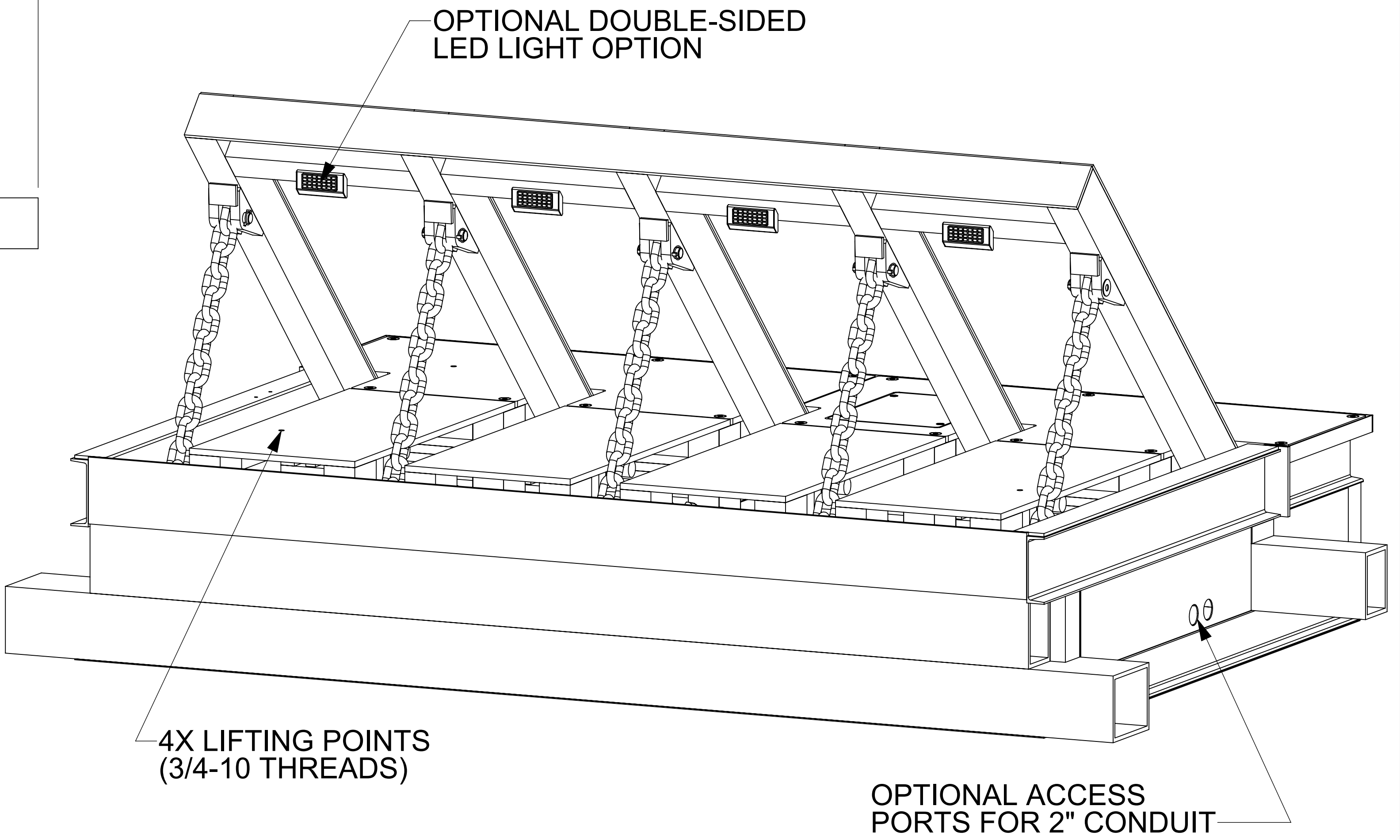
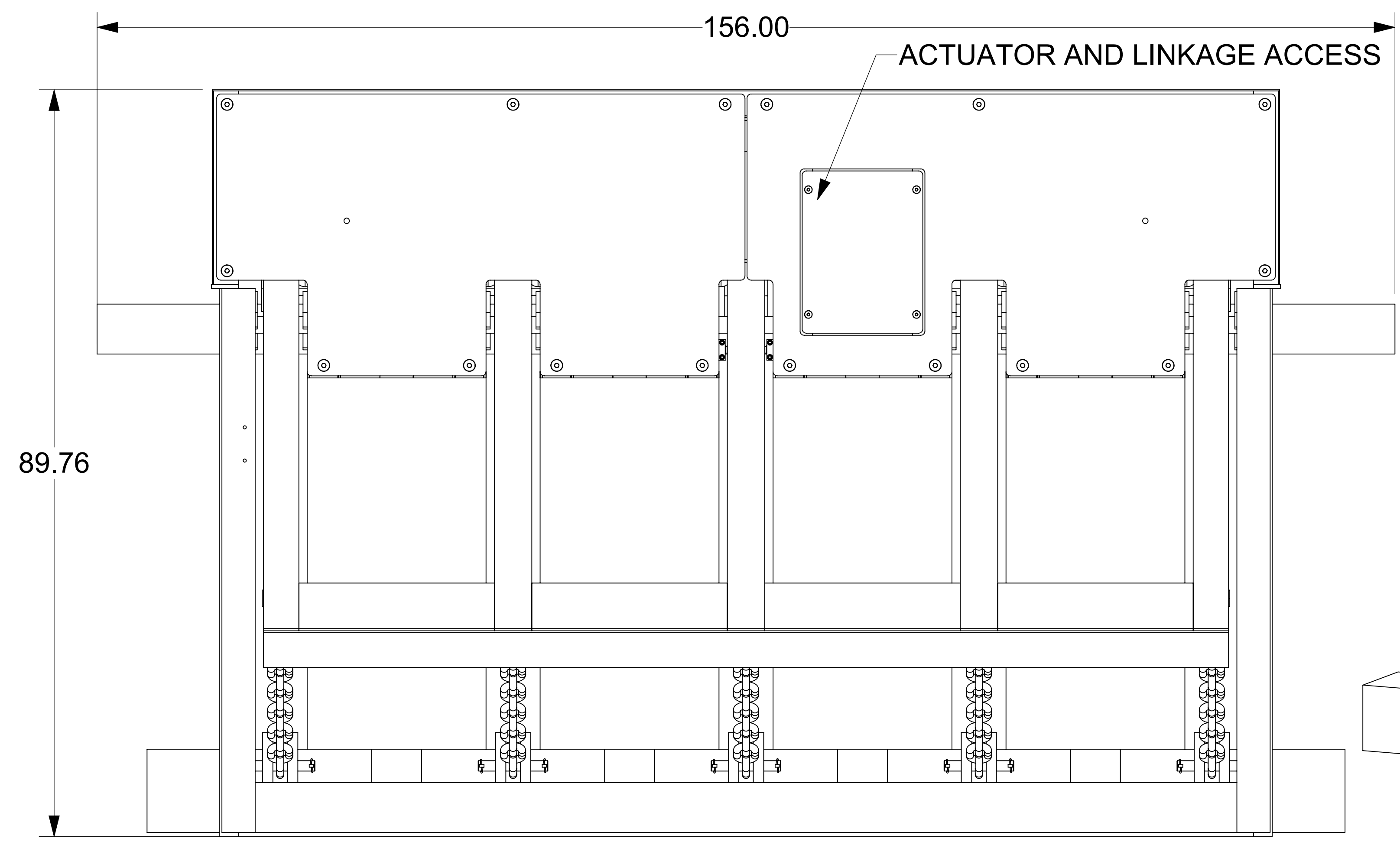


ITEM	QTY	DESCRIPTION	WT EA	REF #
1	1	DSC550 TOP ASSEMBLY	11690	15992



THIS DRAWING UNLESS OTHERWISE NOTED, REMAINS THE CONFIDENTIAL PROPERTY AND TRADE SECRET OF DELTA SCIENTIFIC CORPORATION. IT SHALL NOT BE DISCLOSED, REPRODUCED OR USED FOR MANUFACTURE, DESIGN OR CONSTRUCTION WITHOUT THE EXPRESS AUTHORIZATION OF DELTA SCIENTIFIC CORPORATION. THE RECIPIENT BY ACCEPTING THIS DRAWING ASSUMES CUSTODY THEREOF AND UNDER THE ABOVE TERMS AGREES NOT TO ALLOW USE OF BY UNAUTHORIZED PERSONS.

UNLESS OTHERWISE NOTED DIMENSIONS ARE IN INCHES

TOLERANCES
 X = ± .060/FT
 XX = ± .030/FT
 XXX = ± .010/FT
 ANGLES = ± 5°

SURFACE FINISH
 125 ✓

REMOVE ALL BURRS AND BREAK SHARP EDGES .02 MAX

© 2020 ALL RIGHTS RESERVED

DELTA SCIENTIFIC CORPORATION
 40355 DELTA LANE
 PALMDALE, CA 93551 U.S.A.
 (661) 575-1000 FAX (661) 575-1109

DSC550 GENERAL ARRANGEMENT

DRAWN BY M. OWENS	DATE 7/24/20	DRAWING NO. 16097	REV. -
CHKD BY	DATE	SCALE: 1:10	SHEET 1 OF 1