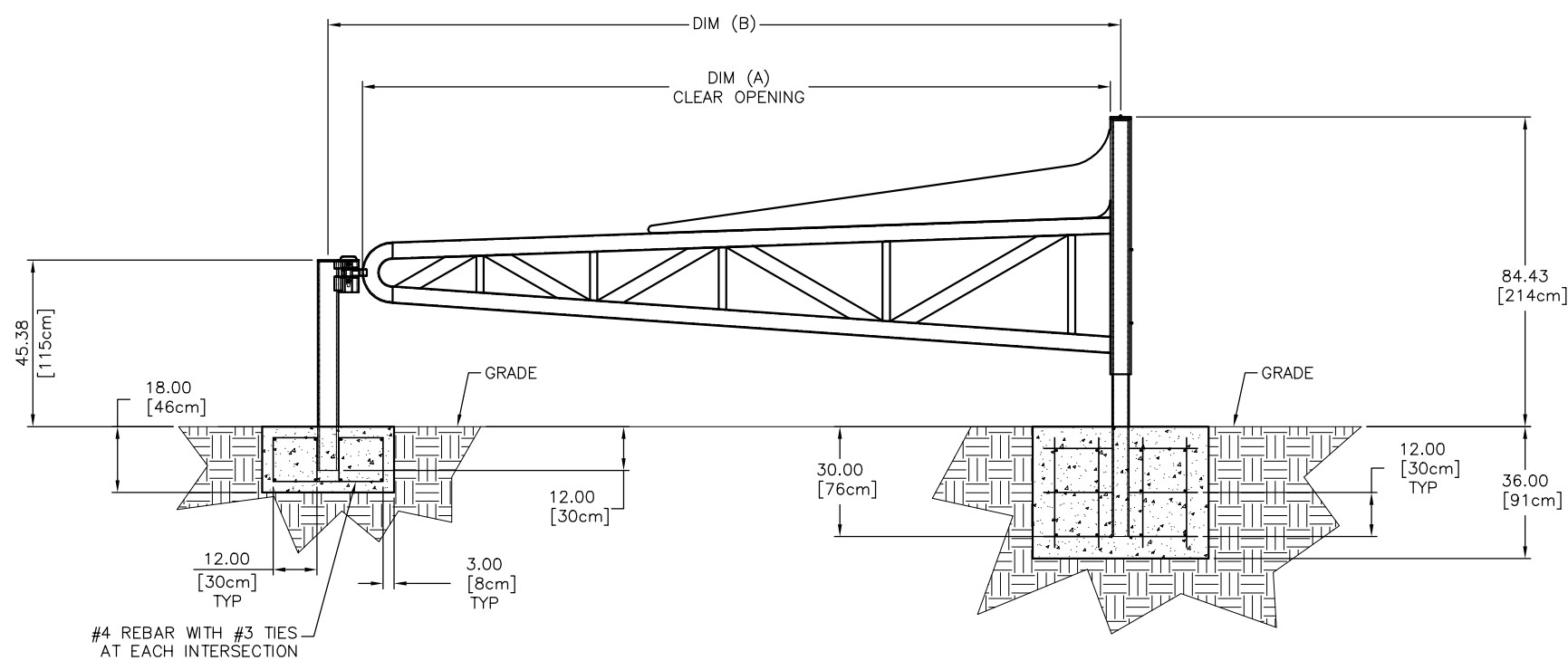
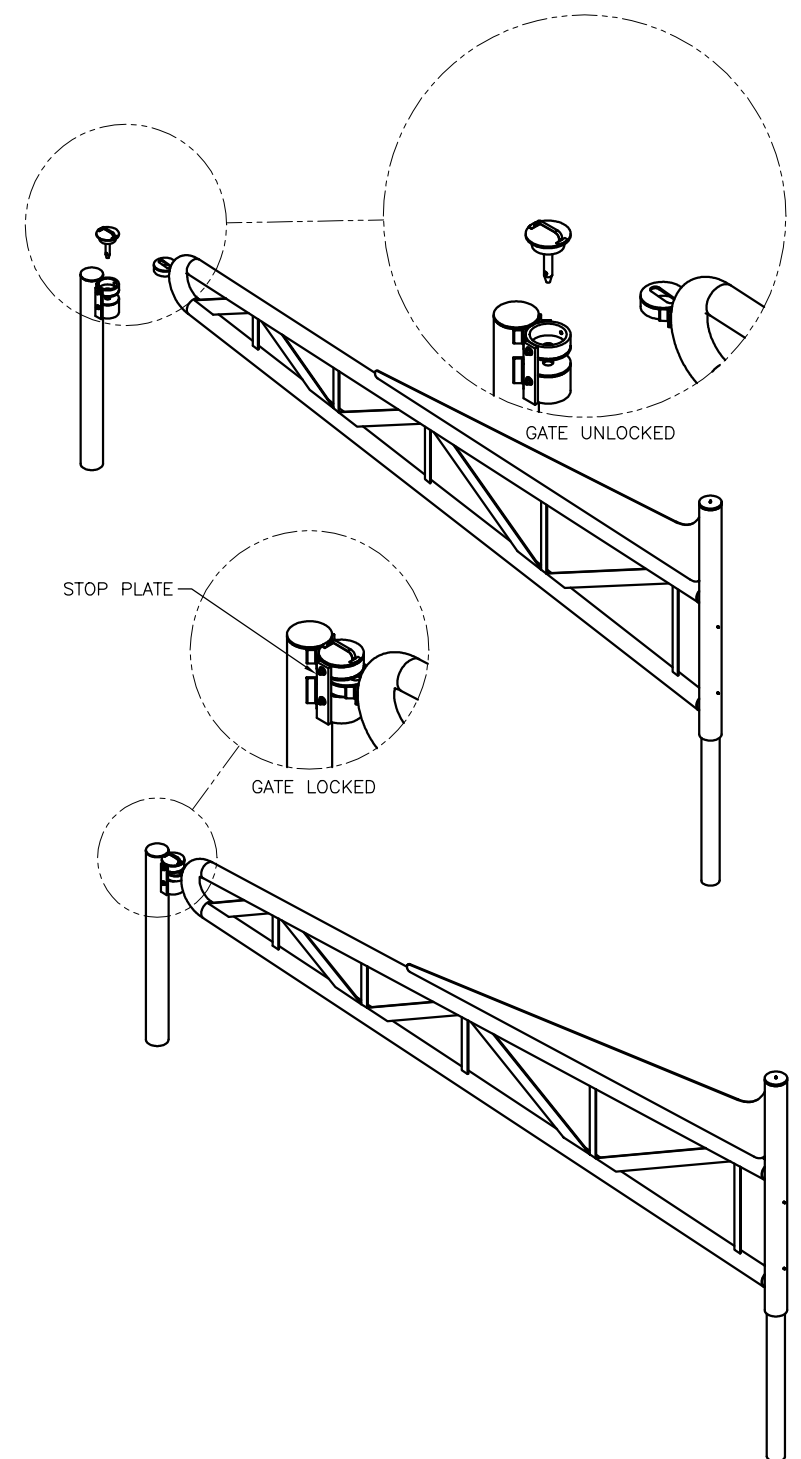
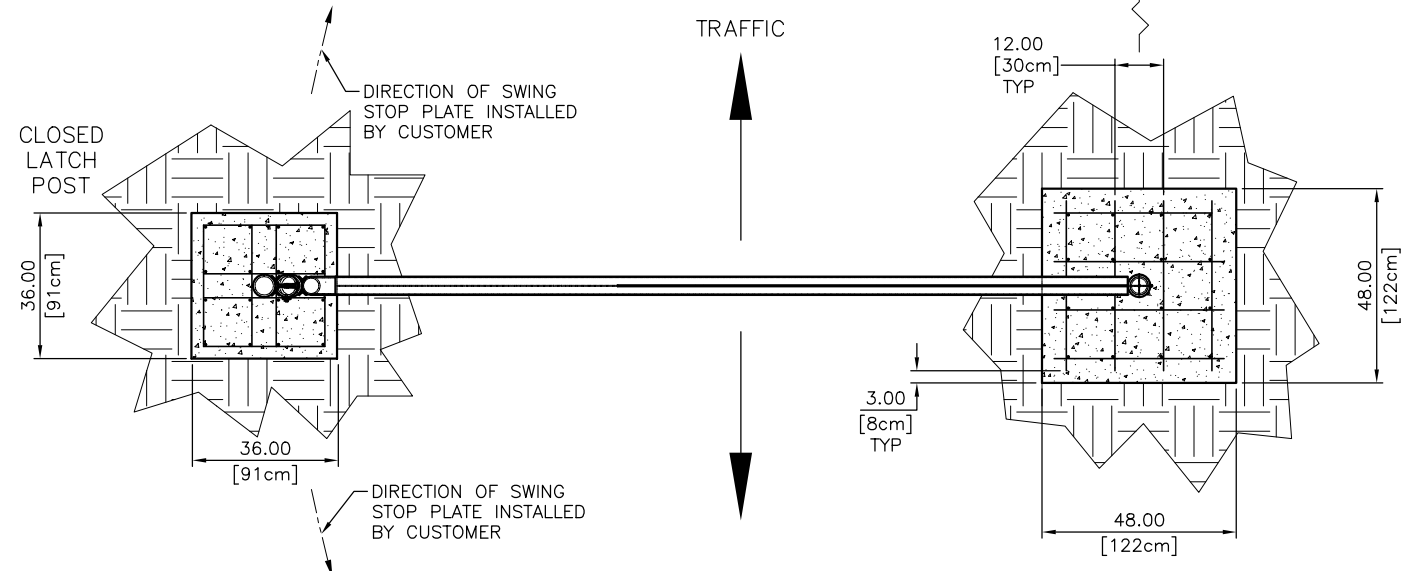


CLEAR OPENING	DIM (A)		DIM (B)		APPROXIMATE WEIGHT
	IN	CM	IN	CM	
12 FT	144 IN	366 cm	156 IN	396 cm	848 lbs
13 FT	156 IN	396 cm	168 IN	427 cm	874 lbs
14 FT	168 IN	427 cm	180 IN	457 cm	900 lbs
15 FT	180 IN	457 cm	191 IN	485 cm	926 lbs
16 FT	192 IN	488 cm	204 IN	518 cm	952 lbs
17 FT	204 IN	518 cm	215 IN	546 cm	978 lbs
18 FT	216 IN	549 cm	228 IN	579 cm	1004 lbs
19 FT	228 IN	579 cm	240 IN	610 cm	1030 lbs
20 FT	240 IN	610 cm	252 IN	640 cm	1056 lbs



B	ECO 2012-065	DCM	11/29/12		
A	ECO 2012-039	DCM	07/03/12		
REV.	DESCRIPTION	DRWN BY	DATE	APPVD BY	DATE
<small>THIS DRAWING UNLESS OTHERWISE NOTED, REMAINS THE CONFIDENTIAL PROPERTY AND TRADE SECRET OF DELTA SCIENTIFIC CORPORATION. IT SHALL NOT BE DISCLOSED, REPRODUCED OR USED FOR MANUFACTURE, DESIGN OR CONSTRUCTION WITHOUT THE EXPRESS AUTHORIZATION OF DELTA SCIENTIFIC CORPORATION. THE RECIPIENT BY ACCEPTING THIS DRAWING, ASSUMES CUSTODY THEREOF AND UNDER THE ABOVE TERMS AGREES NOT TO ALLOW USE OF BY UNAUTHORIZED PERSONS.</small>		<small>UNLESS OTHERWISE NOTED DIMENSIONS ARE IN INCHES</small>		<b>DELTA SCIENTIFIC CORPORATION</b> 40355 DELTA LANE PALMDALE, CA 93551 U.S.A. (661) 575-1100 FAX (661) 575-1109	
<small>TOLERANCES          .X = ±.060          .XX = ±.030          .XXX = ±.010          ANGLES = ±.5°</small>		<small>SURFACE FINISH          125</small>		DRWN BY L.G. DATE 10/19/10	DRAWING NO: <b>14162</b>
<small>REMOVE ALL BURRS &amp; BREAK SHARP EDGES .02 MAX</small>		CHKD BY DATE	APPVD BY DATE	SCALE: 1:24 (D SIZE)	REV: <b>B</b> SHEET 1 OF 1
<small>© 2009 ALL RIGHTS RESERVED</small>					