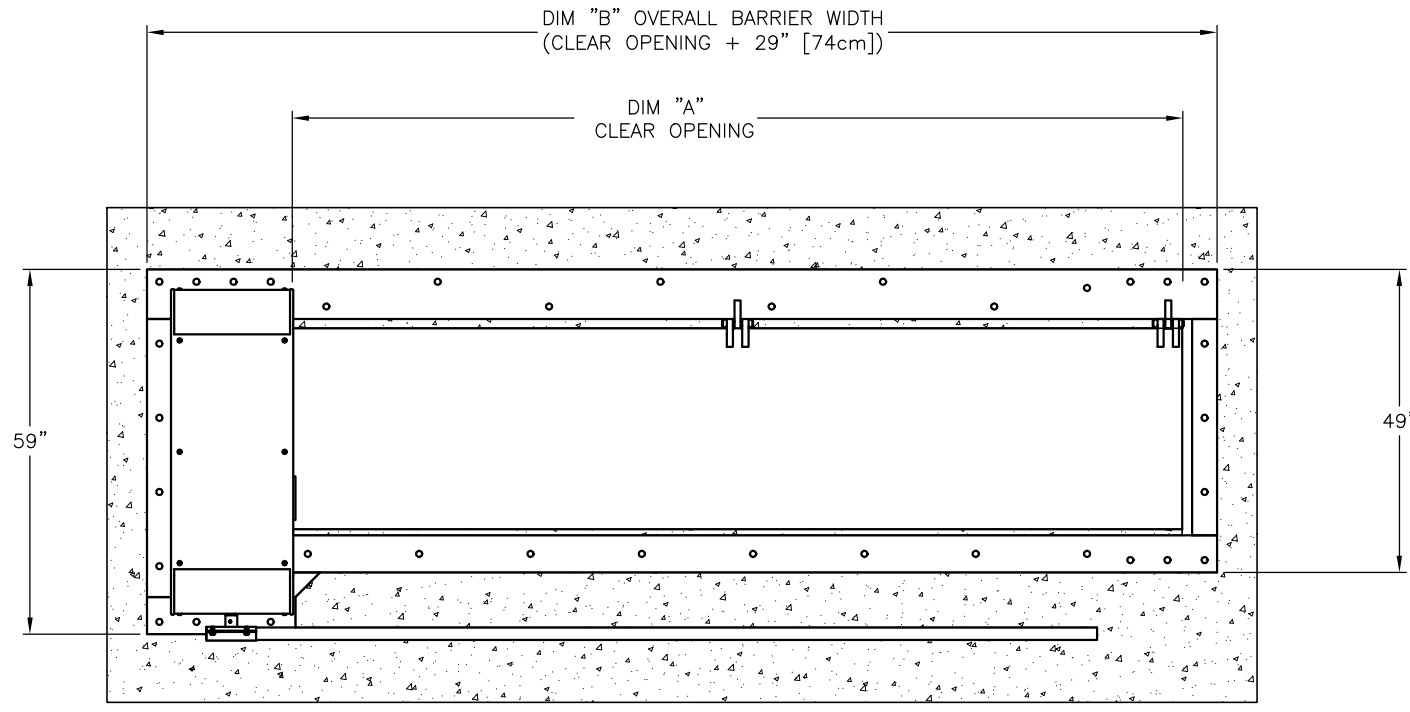


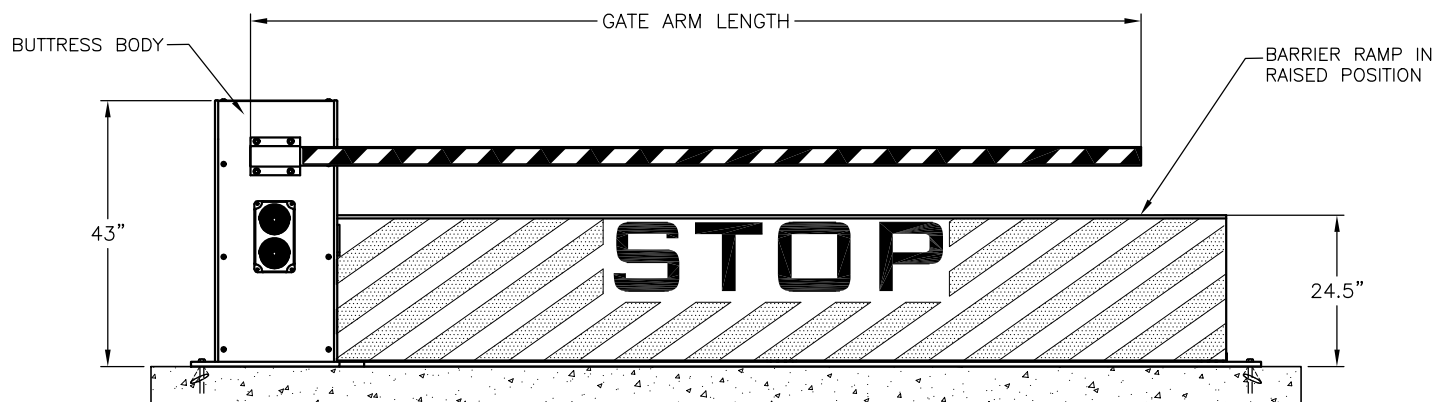
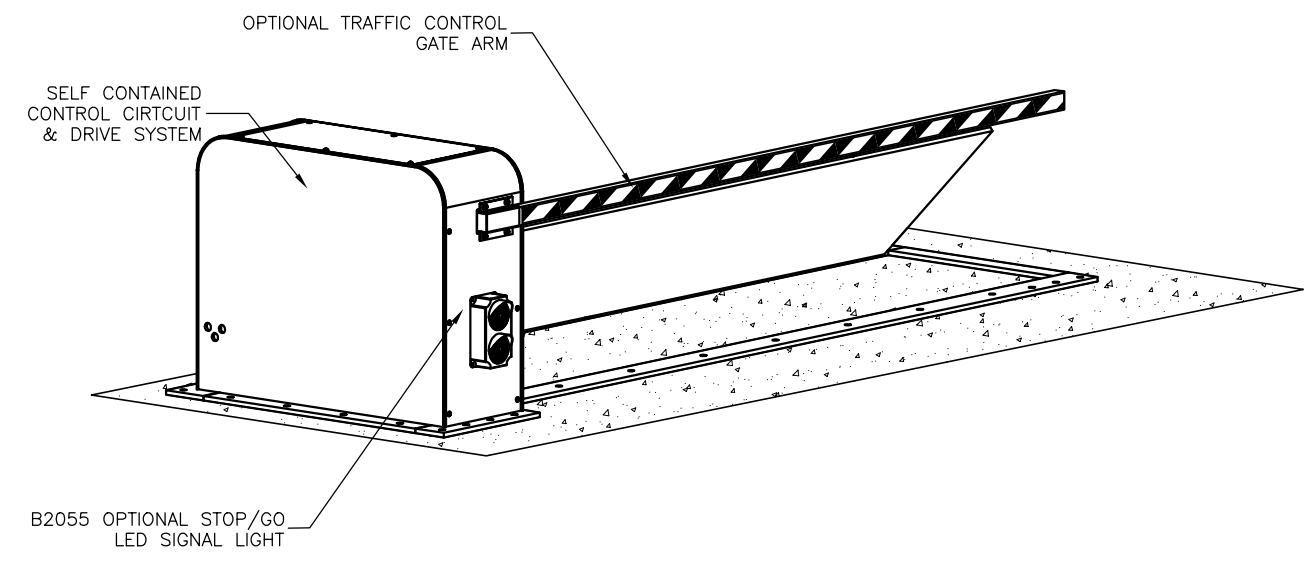
NOTES:

1. OPTIONAL FEATURES (PARTIAL)		PART NO.
(A)	HEATER, 200W BARRIER + 60W GATE ARM	B4011
(B)	HOT-DIP GALVANIZING PRIOR TO PAINTING	GALV
(C)	LED STOP/GO LIGHT	B2055
(D)	TRAFFIC CONTROL GATE ARM	-
	3" X 2" ALUMINUM ARM, 8-12FT	-

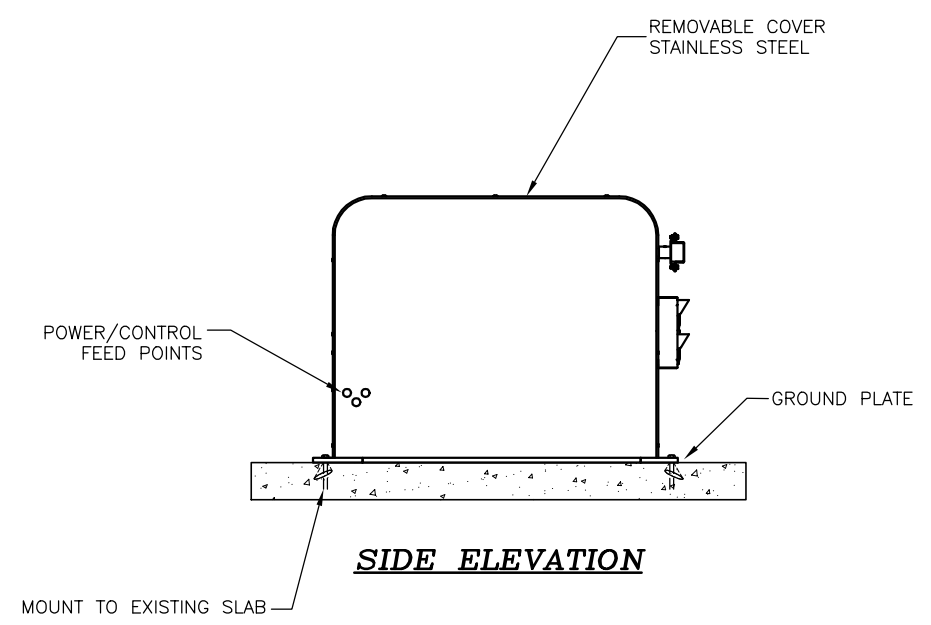
2. COLOR OPTIONS:  
 SCHEME 90435-20: WHITE W/ RED STRIPES & RED "STOP"  
 SCHEME 90435-25: BLACK W/ YELLOW STRIPES & RED "STOP"  
 (CUSTOM COLOR SCHEMES MAY BE REQUESTED)
3. ALL STEEL MEMBERS PER AISC STANDARDS  
 WELDING DESIGN CRITERIA AWS D1.1, LATEST REVISION.
4. ALL VISIBLE CARBON STEEL COMPONENTS SANDBLASTED TO NEAR WHITE METAL AFTER FABRICATION AND PRIOR TO COATING.
5. WEIGHT LISTED IN THE TABLE EXCLUDES ANY INCLUDED OPTIONS.
6. FOUNDATION MUST BE FLAT PLUS/MINUS 1/4". CROWNED FOUNDATIONS WILL CAUSE RAPID FAILURE OF THE HINGES.



DIRECTION OF CONTROLLED TRAFFIC  
**PLAN VIEW**



**FRONT ELEVATION (UNPROTECTED SIDE)  
 LEFT HANDED BARRIER SHOWN**



**SIDE ELEVATION**

CLEAR OPENING	DIM 'A' (in)	DIM 'B' (in)	WEIGHT (lb)
10 FT	120	149	2408
11 FT	132	161	2526
12 FT	144	173	2645
13 FT	156	185	2763
14 FT	168	197	2881

C	CORRECTED WEIGHTS PER TOP ASSEMBLY	M.C.	02/15/13	JPH	02/15/13
B	CORRECTED DIM 'B' LENGTH CALCULATION	JAS	02/28/12		
REV.	DESCRIPTION	DRWN BY	DATE	APPVD BY	DATE
<small>THIS DRAWING UNLESS OTHERWISE NOTED, REMAINS THE CONFIDENTIAL PROPERTY AND TRADE SECRET OF DELTA SCIENTIFIC CORPORATION. IT SHALL NOT BE DISCLOSED, REPRODUCED OR USED FOR MANUFACTURE, DESIGN OR CONSTRUCTION WITHOUT THE EXPRESS AUTHORIZATION OF DELTA SCIENTIFIC CORPORATION. THE REQUESTOR BY ACCEPTING THIS DRAWING, ASSUMES CUSTODY THEREOF AND UNDER THE ABOVE TERMS AGREES NOT TO ALLOW USE OF BY UNAUTHORIZED PERSONS.</small>		<small>UNLESS OTHERWISE NOTED DIMENSIONS ARE IN INCHES</small>		<b>DELTA SCIENTIFIC CORPORATION</b> 40355 DELTA LANE PALMDALE, CA 93551 U.S.A. (661) 575-1100 FAX (661) 575-1109	
<small>TOLERANCES          .X = ±.060/FT          .XX = ±.030/FT          .XXX = ±.010/FT          ANGLES = ±.5°</small>		<small>SURFACE FINISH          125</small>		<b>DSC1425 BOLT DOWN BARRIER          GENERAL ARRANGEMENT</b>	
DRWN BY	J. STAGGS	DATE	8/24/11	DRAWING NO.	90436
CHKD BY		DATE		REV.	C
APPVD BY		DATE		SCALE:	1:16 (D SIZE)
© 2011 ALL RIGHTS RESERVED		REMOVE ALL BURRS & BREAK SHARP EDGES .02 MAX		SHEET 1 OF 1	