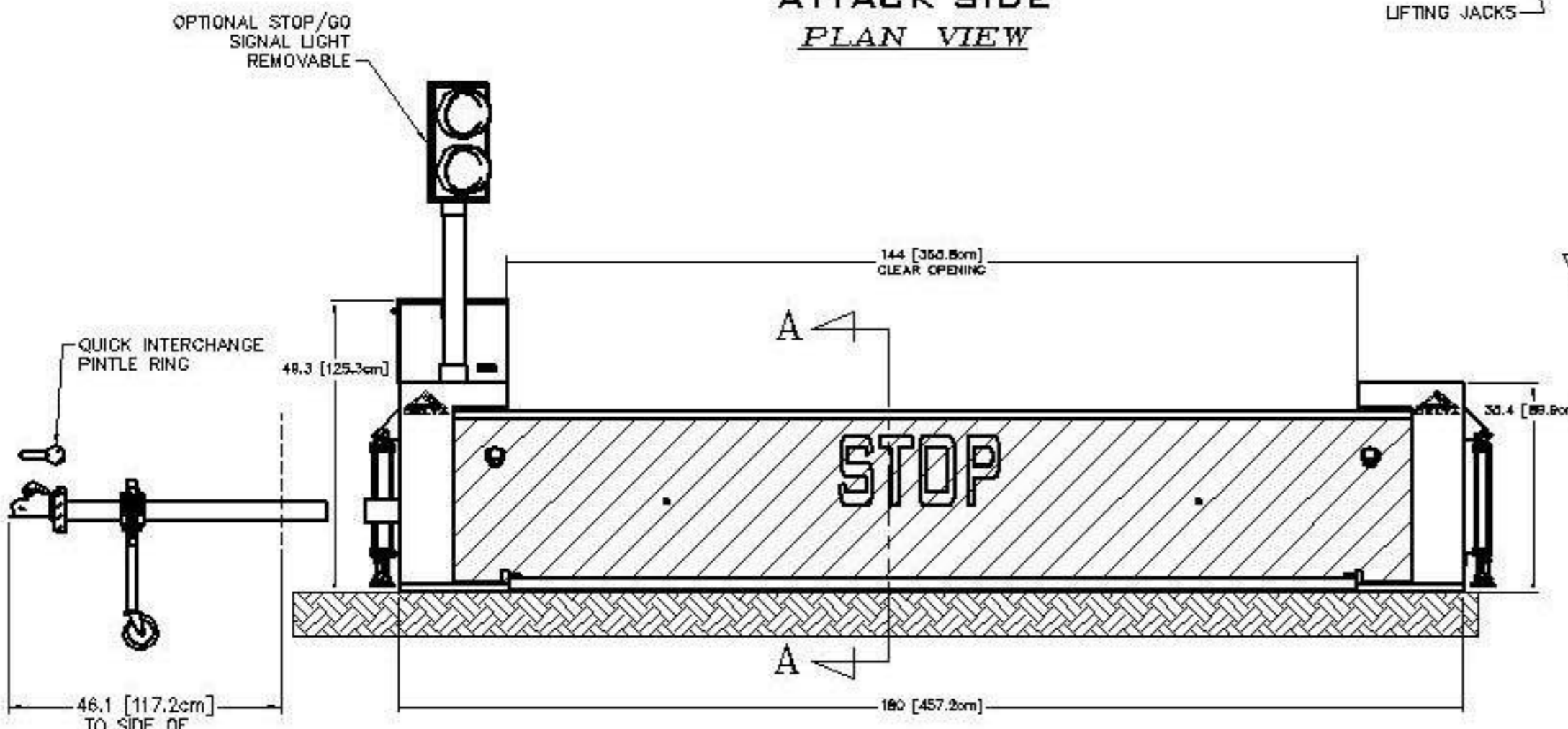


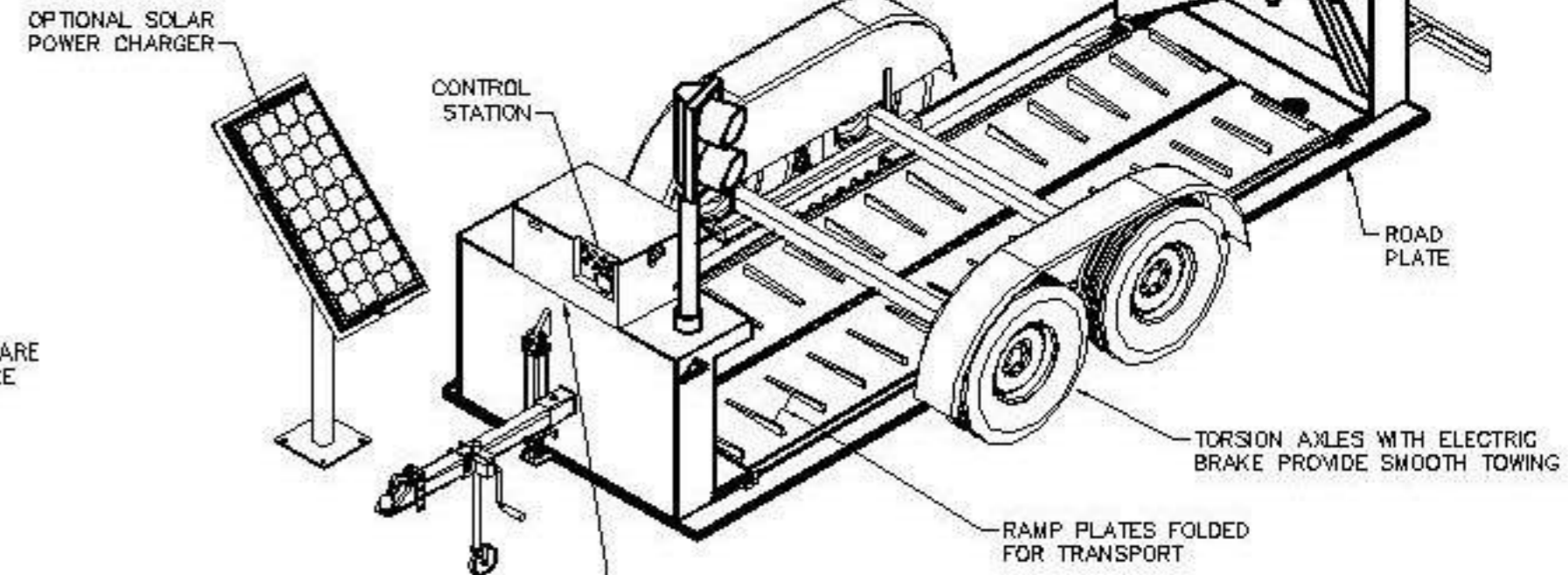
PROTECTED SIDE



ATTACK SIDE  
PLAN VIEW



ELEVATION



DELTA SCIENTIFIC'S MP5000 PORTABLE  
CRASH RATED BARRIER

THE SYSTEM HAS BEEN TESTED IN FULL SCALE CONFIGURATION AT AN INDEPENDENT TESTING LABORATORY AND HAS BEEN CERTIFIED TO HAVE MET THE U.S. DEPARTMENT OF STATE TESTING DOCUMENT SD-STD-02.01 DATED APRIL 1985 WITH RATINGS OF K4-L1 (TEST SCHEDULED 5-29-03). IT IS CONFIGURED FOR EXPEDITED DEPLOYMENT AND, AS NEEDED, RETRIEVAL AND RELOCATION.

THIS BARRIER SYSTEM CAN BE SITED ON EXISTING CONCRETE OR ASPHALT ROADWAYS OR VERGES; LEVEL COMPACTED SOILS OR SOME COMBINATION OF THESE. NO EXCAVATION OR SUB-SURFACE PREPARATION IS REQUIRED.

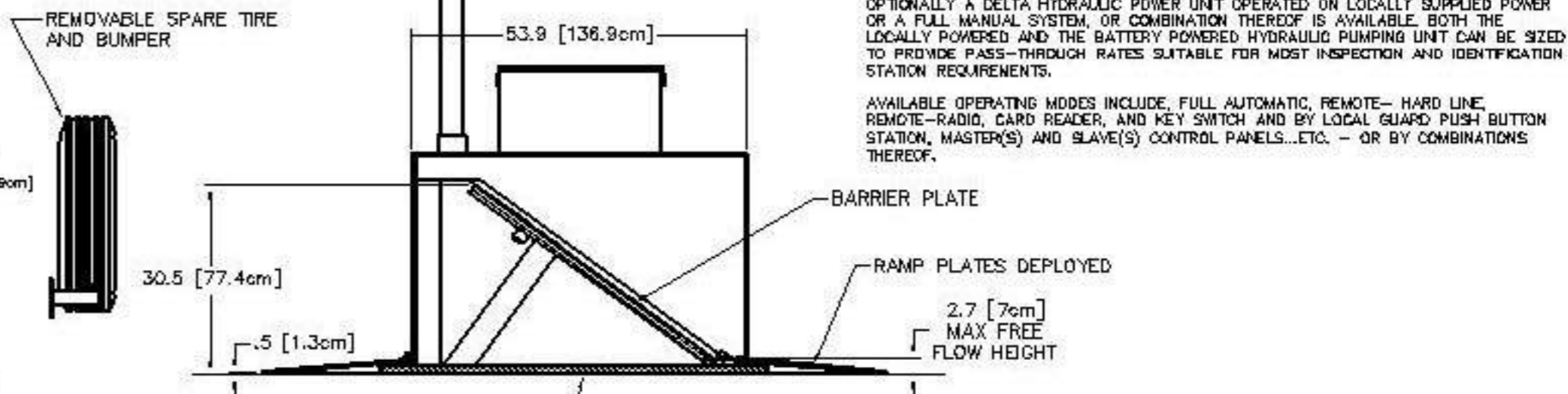
THE MP5000 IS A PHALANX TYPE BARRIER RAMP TOTALLY SELF CONTAINED WITH FREE PASSAGE BETWEEN BUTTRESSES OF 12 FT. (144IN.). LOW PROFILE FREE TRAFFIC FLOW BARRICADE RAMP. SELF CONTAINED DEPLOYABLE RAMP WITH MAXIMUM ROAD CLEARANCE.

THE BARRICADE IS DEPLOYED AFTER BEING TOWED TO THE SITE AND THEN LOWERED INTO POSITION BY MEANS OF HYDRAULIC JACKS. IT IS RETRIEVED BY LIFTING THE BARRIER TO THE "TOW" POSITION USING THE SAME HYDRAULIC JACKS. NO HAND CRANKING REQUIRED. ONCE SITED THE WHEELS ARE STORED AND THEN VEHICLE RAMP IS FOLDED OUT, COMPLETING THE DEPLOYMENT. ESTIMATED DEPLOYMENT TIME - LESS THAN 15 MINUTES.

BOTH THE OPERATION OF THE BARRIER AS WELL THE INITIAL DEPLOYMENT (AND RETRIEVAL) IS PUSH BUTTON CONTROLLED. THE STANDARD SYSTEM HAS A BATTERY OPERATED HYDRAULIC POWER UNIT, REPLENISHED FROM EITHER A SOLAR ARRAY OR FROM LOCAL LOW VOLTAGE SOURCES.

OPTIONALLY A DELTA HYDRAULIC POWER UNIT OPERATED ON LOCALLY SUPPLIED POWER OR A FULL MANUAL SYSTEM OR COMBINATION THEREOF IS AVAILABLE. BOTH THE LOCALLY POWERED AND THE BATTERY POWERED HYDRAULIC PUMPING UNIT CAN BE SIZED TO PROVIDE PASS-THROUGH RATES SUITABLE FOR MOST INSPECTION AND IDENTIFICATION STATION REQUIREMENTS.

AVAILABLE OPERATING MODES INCLUDE: FULL AUTOMATIC, REMOTE- HARD LINE, REMOTE-RADIO, CARD READER, AND KEY SWITCH AND BY LOCAL GUARD PUSH BUTTON STATION, MASTER(S) AND SLAVE(S) CONTROL PANELS...ETC. - OR BY COMBINATIONS THEREOF.



SECTION A-A  
PROTECTED SIDE

<p>UNLESS OTHERWISE NOTED DIMENSIONS ARE IN INCHES</p> <p>TELEPHONES X = 1-800 JOK = 1-800 COC = 1-800 AWKLES = 1-800</p> <p>REMOVE ALL BURRS &amp; BRAM BLAMP EDGES (2, MAX)</p>		<p>DELTA SCIENTIFIC CORPORATION 24901 WEST AVE. STAMFORD VALENCIA, CA 91385 U.S.A. (881) 257-1800 FAX (881) 257-0817</p>	
<p>MP5000 PORTABLE ROADWAY BARRIER GENERAL ARRANGEMENT</p>		<p>DATE: 02/01/17 DRAWING NO.: 9161 SHEET: 1 OF 1</p>	