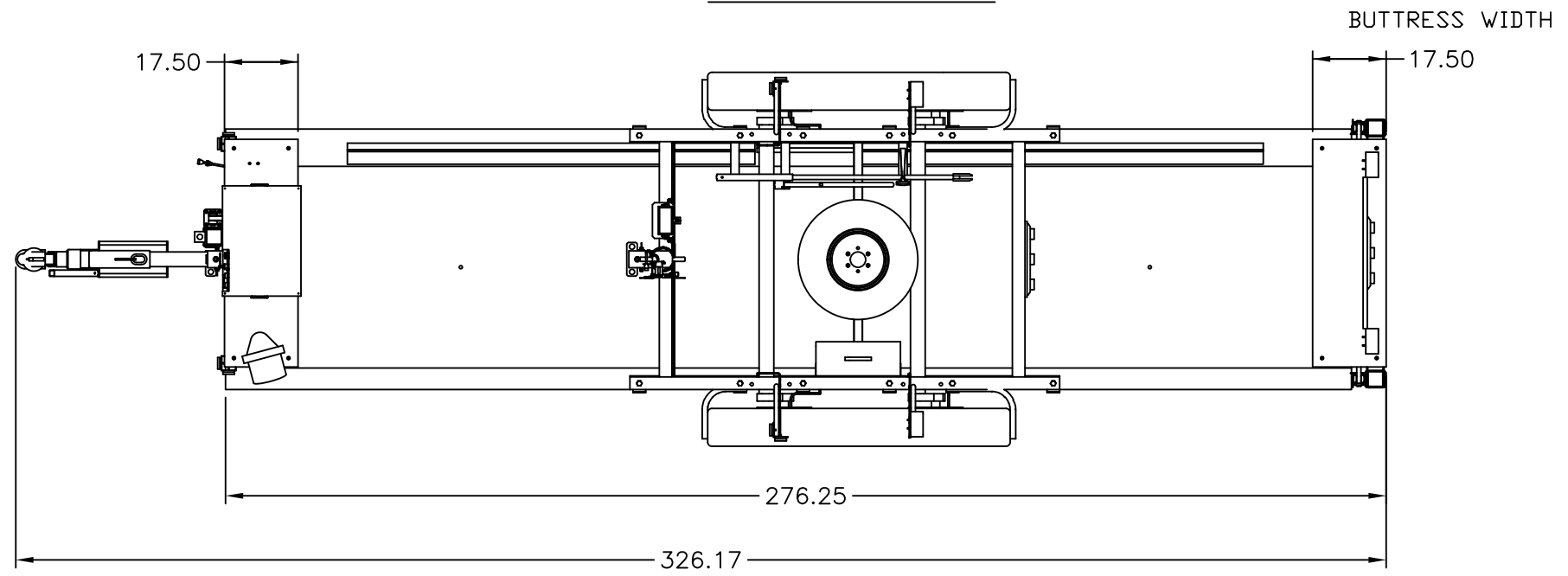
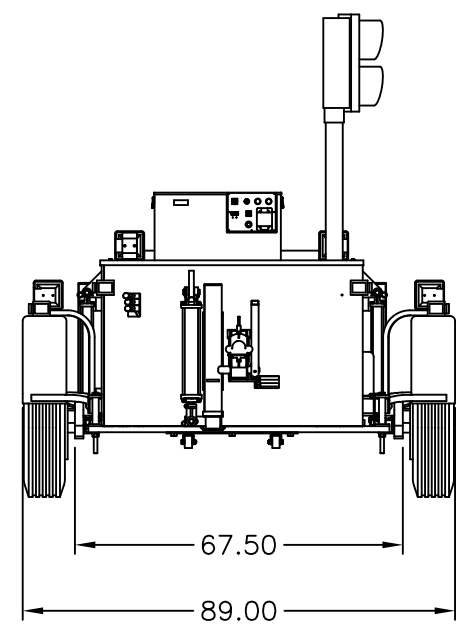


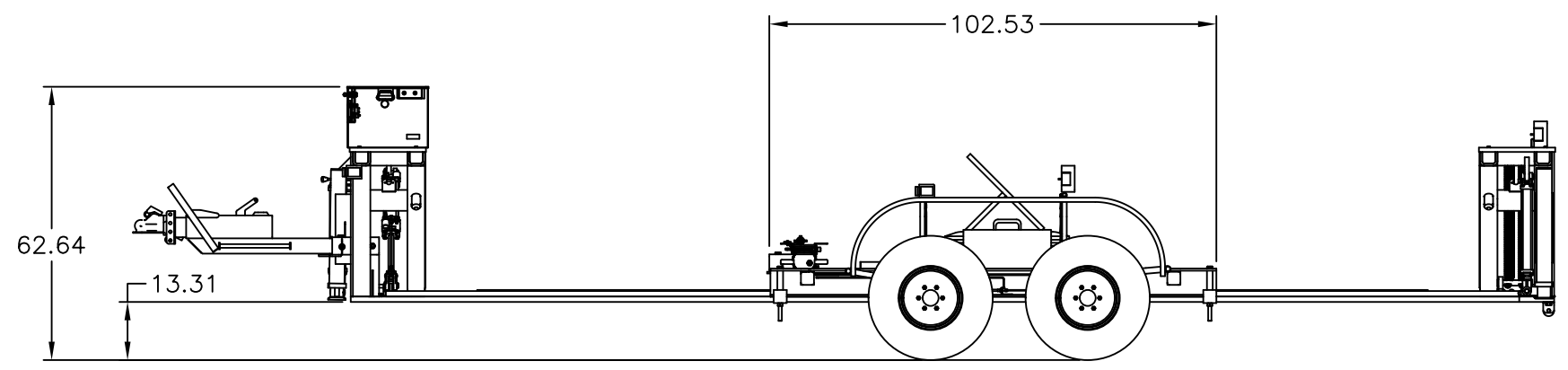
TOP VIEW



FRONT VIEW



SIDE VIEW



<small>THIS DRAWING UNLESS OTHERWISE NOTED, REMAINS THE CONFIDENTIAL PROPERTY AND TRADE SECRET OF DELTA SCIENTIFIC CORPORATION. IT SHALL NOT BE DISCLOSED, REPRODUCED OR USED FOR MANUFACTURE, DESIGN OR CONSTRUCTION WITHOUT THE EXPRESS AUTHORIZATION OF DELTA SCIENTIFIC CORPORATION. THE RECIPIENT BY ACCEPTING THIS DRAWING, ASSUMES CUSTODY THEREOF AND UNDER THE ABOVE TERMS AGREES NOT TO ALLOW USE OF BY UNAUTHORIZED PERSONS.</small>	<small>UNLESS OTHERWISE NOTED DIMENSIONS ARE IN INCHES</small> TOLERANCES .X = ±.060/FT .XX = ±.030/FT .XXX = ±.010/FT ANGLES = ±.5° SURFACE FINISH 125 ✓ <small>REMOVE ALL BURRS & BREAK SHARP EDGES .02 MAX</small>	DELTA SCIENTIFIC CORPORATION 40355 DELTA LANE PALMDALE, CA 93551 U.S.A. (661) 575-1100 FAX (661) 575-1109			
		MP5000-20 TRAILER TOWING AND STORAGE SIZING G.A.			
		<small>DRWN BY</small> T.PERA <small>CHKD BY</small> <small>DATE</small>	<small>DATE</small> 11/1/2013	<small>DRAWING NO.</small> 90122	<small>REV.</small> D
		<small>APPRD BY</small> <small>DATE</small>	<small>SCALE:</small> 1:20	<small>SHEET</small> 2 OF 2	