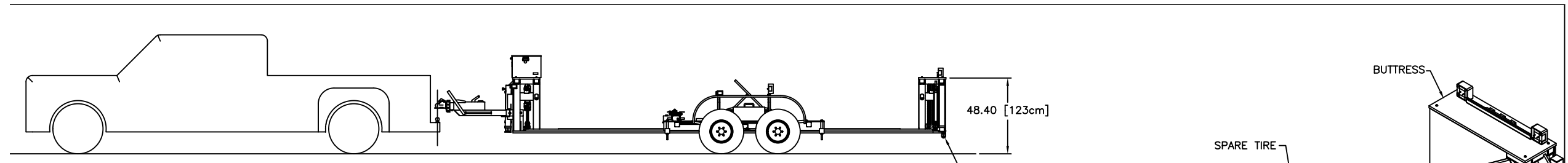
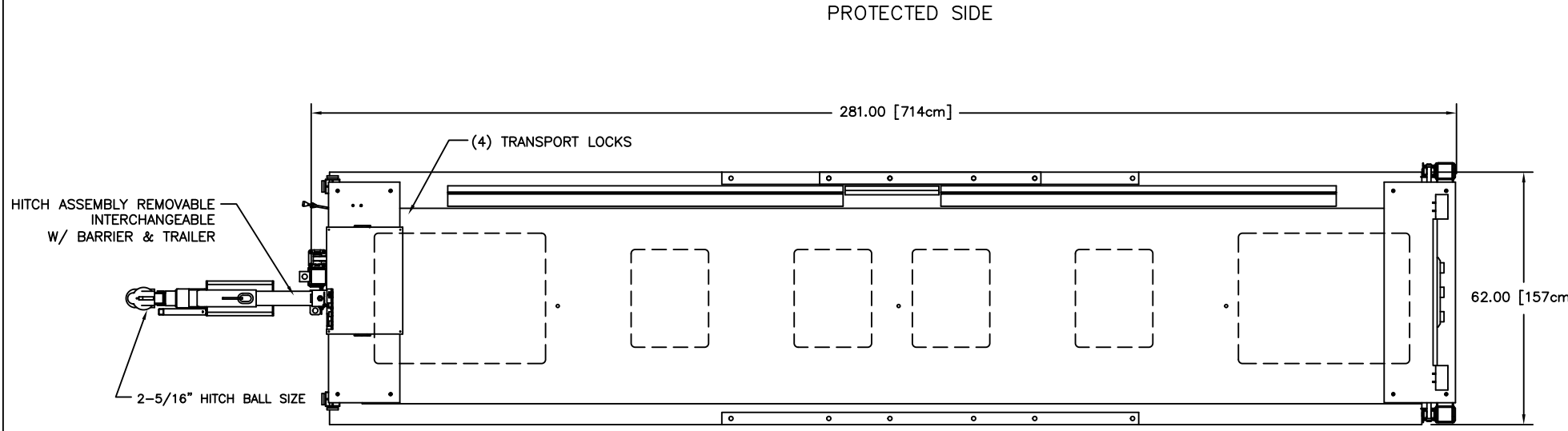


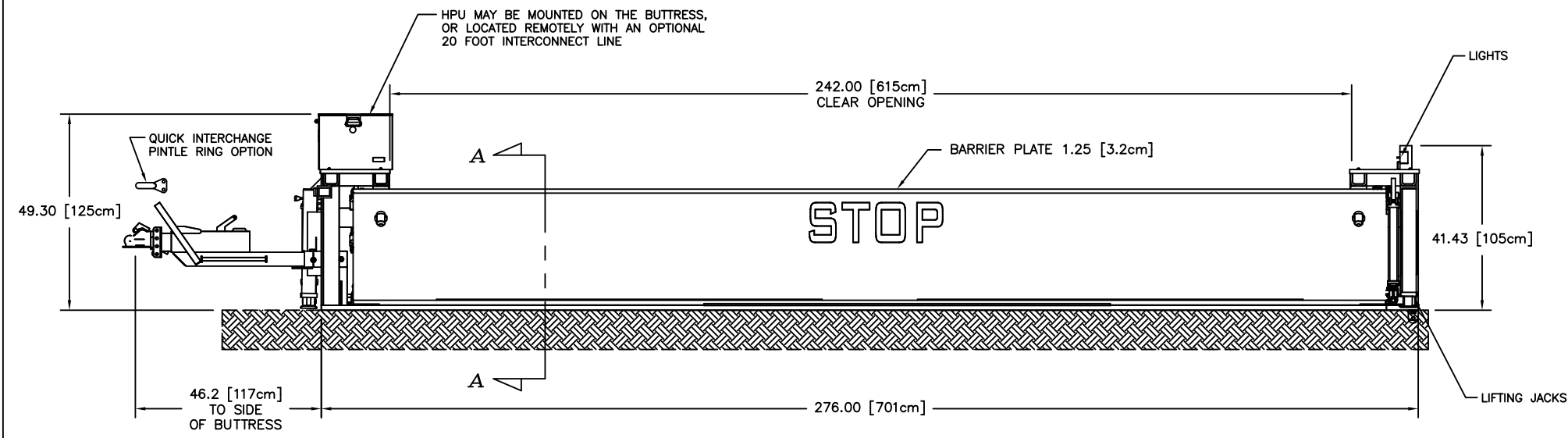
OPTIONS	PART NO.
HITCH BALL, 2-5/16"	2461-130
LUNETTE EYE, 3" (EU COMPLIANT)	2461-129
SOLAR PANEL ASSEMBLY	90593
CABLE KIT, 120 VOLTS, 60 Hz	9149-120
CABLE KIT, 220 VOLTS, 50 Hz	9149-220
TURN TABLE, BARRIER	9251
TURN TABLE ADAPTER	13520
REMOTE PUSH BUTTON STATION	MPL-4050-20'
TRAFFIC SIGNAL, DOWN L/S, MTC-26 (24")	B2050
FULLY DOWN LIMIT SWITCH (9056-3)	B2010
POST, SIGNAL LIGHT, 48" HIGH	MPL-20



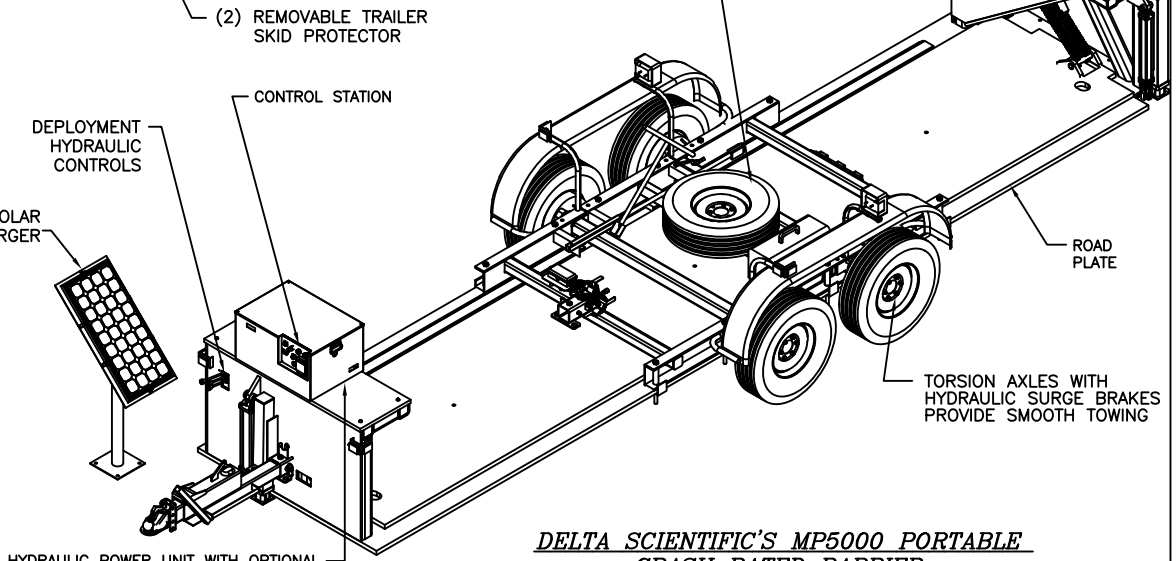
**TOW EXAMPLE**



**ATTACK SIDE PLAN VIEW**



**ELEVATION**



**DELTA SCIENTIFIC'S MP5000 PORTABLE CRASH RATED BARRIER**

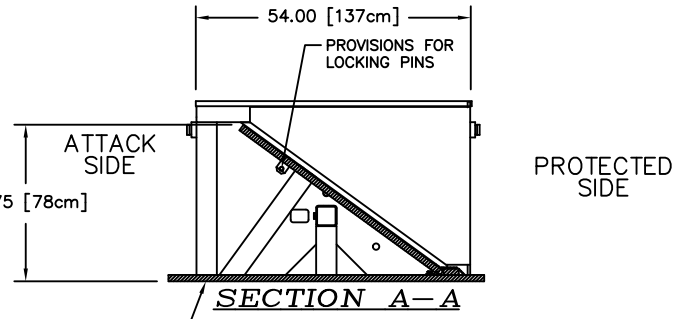
THIS BARRIER SYSTEM CAN BE SITED ON EXISTING CONCRETE OR ASPHALT ROADWAYS OR VERGES; LEVEL COMPACTED SOILS OR SOME COMBINATION OF THESE. NO EXCAVATION OR SUB-SURFACE PREPARATION IS REQUIRED.

THE MP5000 IS A PHALANX TYPE BARRIER RAMP TOTALLY SELF CONTAINED WITH FREE PASSAGE BETWEEN BUTTRESSES OF 20 FT. (240IN.). LOW PROFILE FREE TRAFFIC FLOW BARRICADE RAMP.

THE BARRICADE IS DEPLOYED AFTER BEING TOWED TO THE SITE AND THEN LOWERED INTO POSITION BY MEANS OF HYDRAULIC JACKS. IT IS RETRIEVED BY LIFTING THE BARRIER TO THE 'TOW' POSITION USING THE SAME HYDRAULIC JACKS. NO HAND CRANKING REQUIRED. ONCE SITED THE WHEELS ARE STORED, COMPLETING THE DEPLOYMENT. ESTIMATED DEPLOYMENT TIME - LESS THAN 15 MINUTES.

BOTH THE OPERATION OF THE BARRIER AS WELL THE INITIAL DEPLOYMENT (AND RETRIEVAL) IS PUSH BUTTON CONTROLLED. THE STANDARD SYSTEM HAS A BATTERY OPERATED HYDRAULIC POWER UNIT, REPLENISHED FROM EITHER A SOLAR ARRAY OR FROM LOCAL LOW VOLTAGE SOURCES.

OPTIONALLY A DELTA HYDRAULIC POWER UNIT OPERATED ON LOCALLY SUPPLIED POWER OR A FULL MANUAL SYSTEM, OR COMBINATION THEREOF IS AVAILABLE. BOTH THE LOCALLY POWERED AND THE BATTERY POWERED HYDRAULIC PUMPING UNIT CAN BE SIZED TO PROVIDE PASS-THROUGH RATES SUITABLE FOR MOST INSPECTION AND IDENTIFICATION STATION REQUIREMENTS.



**SECTION A-A**

DESCRIPTION	WEIGHTS	
BARRIER ONLY	11,840 lbs	5,371 kg
TRAILER ONLY	1,440 lbs	653 kg
BARRIER W/TRAILER	13,280 lbs	6,024 kg

D	ECO 2018-054	MLL	8/21/18		
C	ECO 2013-055	T.D.P	11/4/2013		
B	ECO 2011-129	M.C.	01/13/12	J.M.	01/24/12
A	ECO 2011-059	M.C.	5/3/11		
REV.	DESCRIPTION	DRWN BY	DATE	APPVD BY	DATE

UNLESS OTHERWISE NOTED DIMENSIONS ARE IN INCHES

DELTA SCIENTIFIC CORPORATION  
 40355 DELTA LANE  
 PALMDALE, CA 93551 U.S.A.  
 (661) 575-1100 FAX (661) 575-1109

**MP5000 20' PORTABLE ROADWAY BARRIER GENERAL ARRANGEMENT**

DRWN BY	J. MANOR	DATE	1/4/11	DRAWING NO.	90122	REV.	D
CHKD BY		DATE		SCALE	N.T.S.	SHEET	1 OF 2
APPVD BY		DATE					

© 1998 ALL RIGHTS RESERVED

NOTES: 1. OPTION B2050 SELECT MTC-26, 24" HIGH BARRIER MOUNT OR MPL-20, 48" HIGH OFF BARRIER MOUNT.