

NOTES:

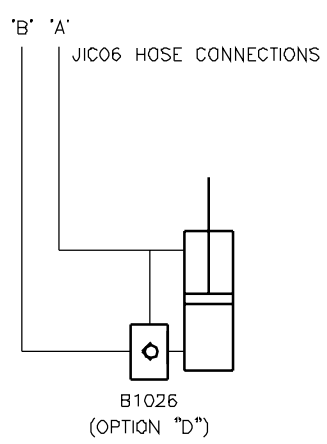
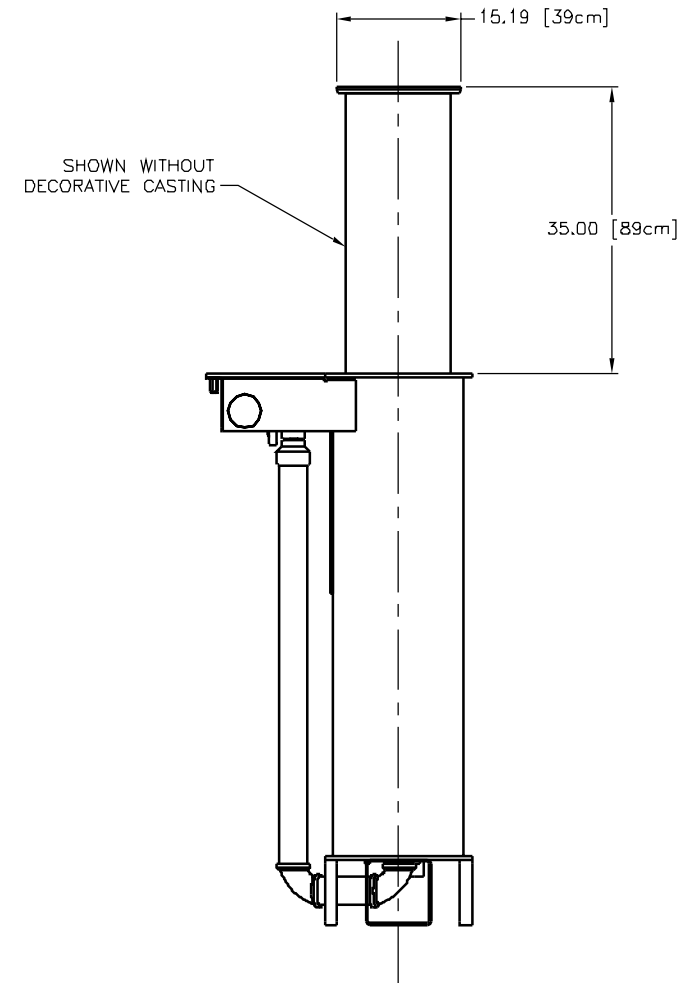
1. OPTIONAL FEATURES INCLUDE: PART NO.

(A)	HEATER, 200 WATTS @ 120 VOLTS	B1200
(A)	HEATER, 200 WATTS @ 240 VOLTS	B1201
(B)	LIMIT SWITCH, FULLY DOWN	B2015
(C)	LIMIT SWITCH, FULLY UP	B2016
(D)	PILOT OPERATED CHECK VALVE	B1026

2. REFERENCE DRAWING D02633 FOR COLOR OPTIONS:
 D02633-12 WHITE W/YELLOW-BLACK STRIPES
 D02633-13 YELLOW W/BLACK STRIPES
 D02633-14 WHITE W/RED STRIPES

3. FINISH:
 OUTER FOUNDATION: STANDARD GREY PRIMER
 INTERIOR/EXTERIOR: STANDARD GREY PRIMER
 BOLLARD: STANDARD GREY PRIMER FOLLOWED BY FINISH COAT, SEE FLYSHEET
 TOP SURFACES: TEXTURED EPOXY

>>>ALL DIMENSIONS ARE REFERENCE<<<
 >>>DIMENSIONS ARE IN INCHES[CM]<<<



FLOW SCHEMATIC

D	ECO 2005-172	WD	11/2/05		
C	ECO 2005-170	RES	9/12/05		
B	ECO 2003-058	JNF	2/28/05		
A	CHANGES PER MANUFACTURING REQUEST	JM	7/11/02		
REV.	DESCRIPTION	DRWN BY	DATE	APPVD BY	DATE

<small>THIS DRAWING UNLESS OTHERWISE NOTED, REMAINS THE CONFIDENTIAL PROPERTY AND TRADE SECRET OF DELTA SCIENTIFIC CORPORATION. IT SHALL NOT BE REPRODUCED, REPRODUCED OR USED FOR MANUFACTURE, DESIGN OR CONSTRUCTION WITHOUT THE EXPRESS AUTHORIZATION OF DELTA SCIENTIFIC CORPORATION. THE RECIPIENT BY ACCEPTING THIS DRAWING, ASSUMES CUSTODY THEREOF AND UNDER THE ABOVE TERMS AGREES NOT TO ALLOW USE OF IT BY UNAUTHORIZED PERSONS.</small>		<small>UNLESS OTHERWISE NOTED DIMENSIONS ARE IN INCHES</small> TOLERANCES .X = ± 0.060/FT .XX = ± 0.030/FT .XXX = ± 0.10/FT ANGLES = ± 5° SURFACE FINISH 125 ✓		DELTA SCIENTIFIC CORPORATION 24901 WEST AVE. STANFORD VALENCIA, CA 91355 U.S.A. (861) 257-1800 FAX (861) 257-0617	
DRWN BY	J. MANOR	DATE	12/5/01	DRAWING NO.	90440
CHKD BY		DATE		REV.	D
APPVD BY		DATE		SCALE:	1:12 (D SIZE)
© 2001 ALL RIGHTS RESERVED				REMOVE ALL BURRS & BREAK SHARP EDGES .02 MAX	