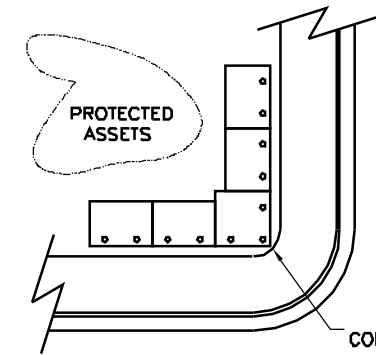


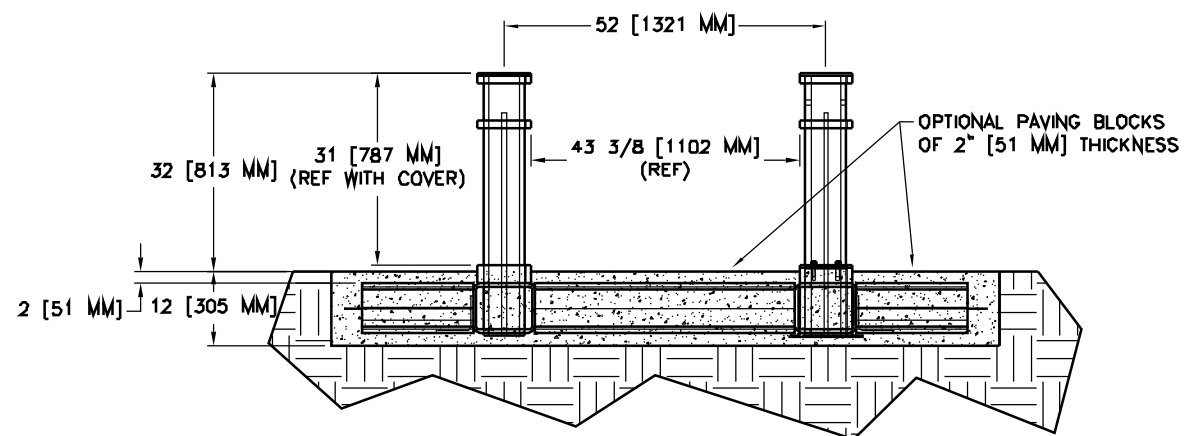
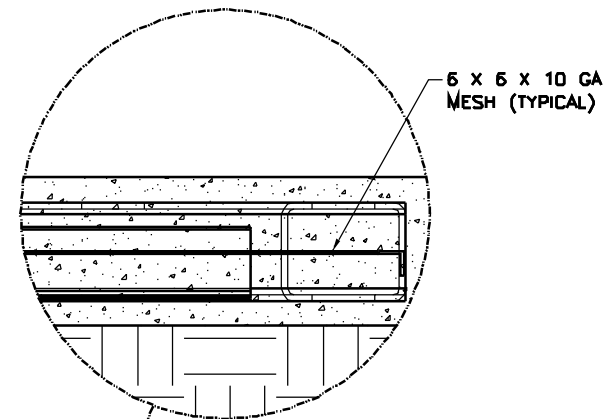
MINIMUM RADIUS WITH MODIFIED FOUNDATION CROSS MEMBERS
13.5 FT [4100 MM]

CONVEX CORNER ARRAY

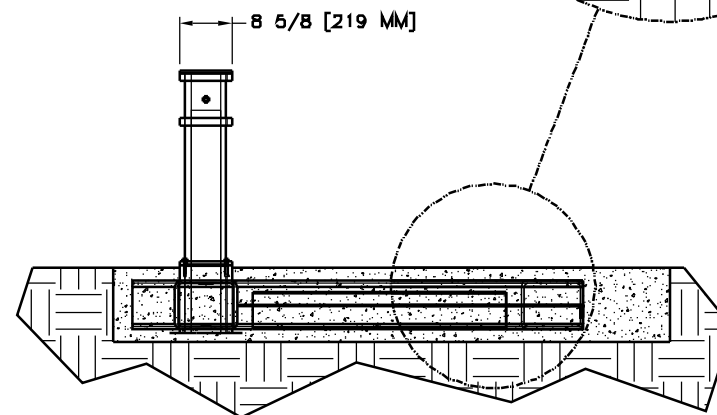


SHARP ANGLE ARRAY

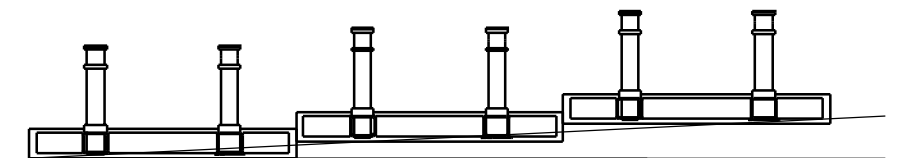
3 BOLLARD CORNER MODULE



SECTION A-A



SECTION B-B



INCLINE ARRAY

REV.	DESCRIPTION	DRWN BY	DATE	APPVD BY	DATE
A	SEE ECO 2007-149	K. RAS	12/11/07		
<small>THIS DRAWING UNLESS OTHERWISE NOTED, REMAINS THE CONFIDENTIAL PROPERTY AND TRADE SECRET OF DELTA SCIENTIFIC CORPORATION. IT SHALL NOT BE DISCLOSED, REPRODUCED OR USED FOR MANUFACTURE, DESIGN OR CONSTRUCTION WITHOUT THE EXPRESS AUTHORIZATION OF DELTA SCIENTIFIC CORPORATION. THE ACCEPTANCE OF THIS DRAWING, ASSUMES LIABILITY THEREOF AND UNDER THE ABOVE TERMS AGREES NOT TO ALLOW USE OF IT BY UNAUTHORIZED PERSONS.</small>		<small>UNLESS OTHERWISE NOTED DIMENSIONS ARE IN INCHES</small>			
<small>TOLERANCES .X = ±.060 .XX = ±.030 .XXX = ±.010 ANGLES = ±.5°</small>		<small>SURFACE FINISH 125</small>		DELTA SCIENTIFIC CORPORATION 40355 DELTA LANE PALMDALE, CA 93551 U.S.A. (861) 575-1100 FAX (861) 575-1109	
<small>REMOVE ALL BURRS & BREAK SHARP EDGES .02 MAX</small>		DRWN BY: K. RAS CHKD BY: DATE:	DATE: 12/3/07	DRAWING NO: 90480	REV: A
© 2007 ALL RIGHTS RESERVED		APPVD BY: DATE:	SCALE: 1:16	SHEET: 1 OF 1	