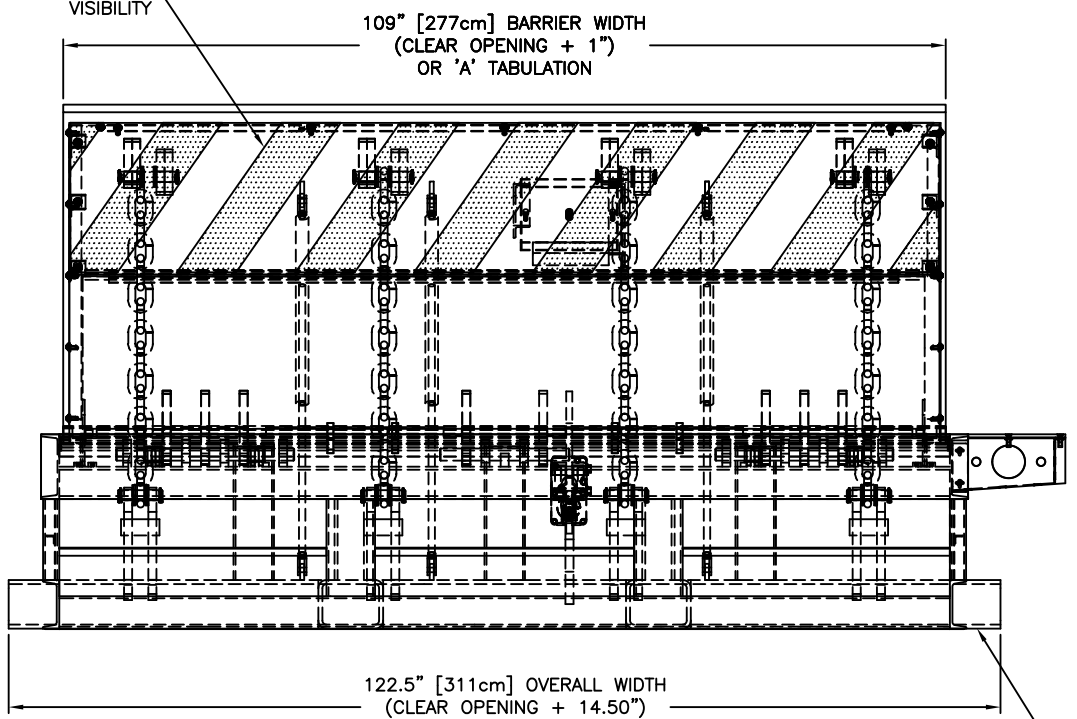


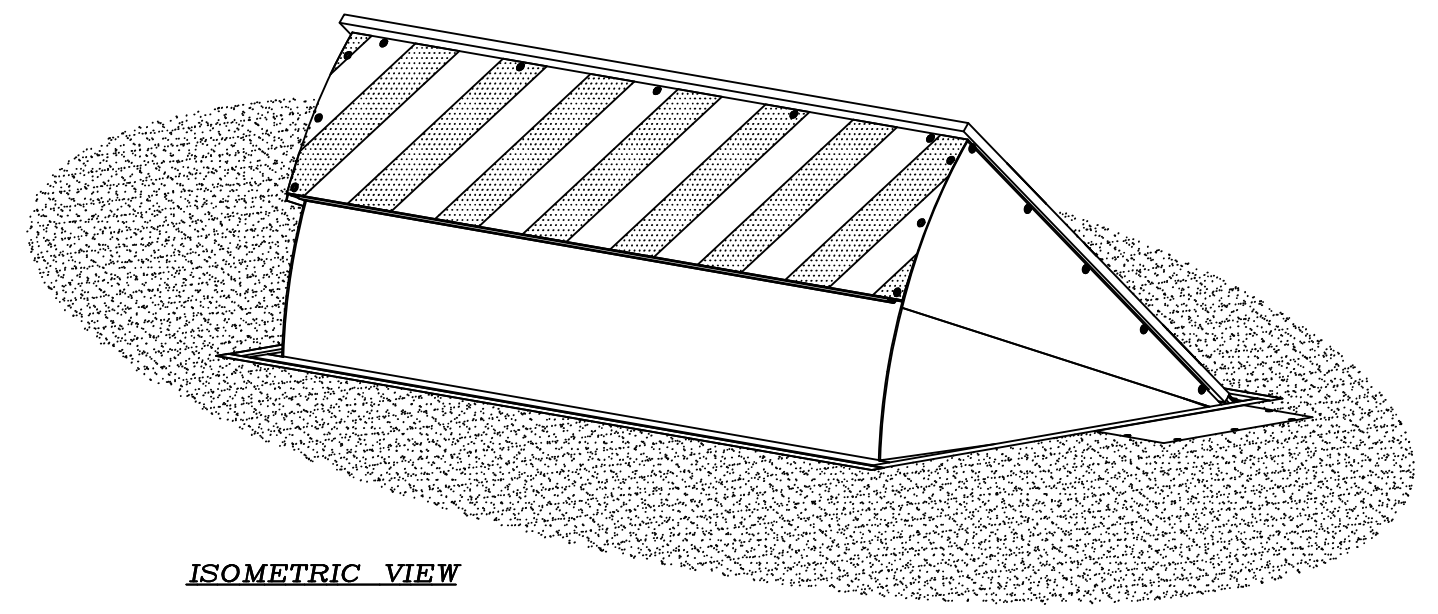
PLAN VIEW – DOWN POSITION

6" ALTERNATING STRIPES FOR INCREASED BARRIER VISIBILITY



FRONT ELEVATION – UP POSITION

STRUCTURAL FOUNDATION TIE-IN MEMBER



ISOMETRIC VIEW

ACCESS BOX MAY BE MOUNTED ON EITHER SIDE

ANTI-SLIP FINISH ON BARRIER SURFACE

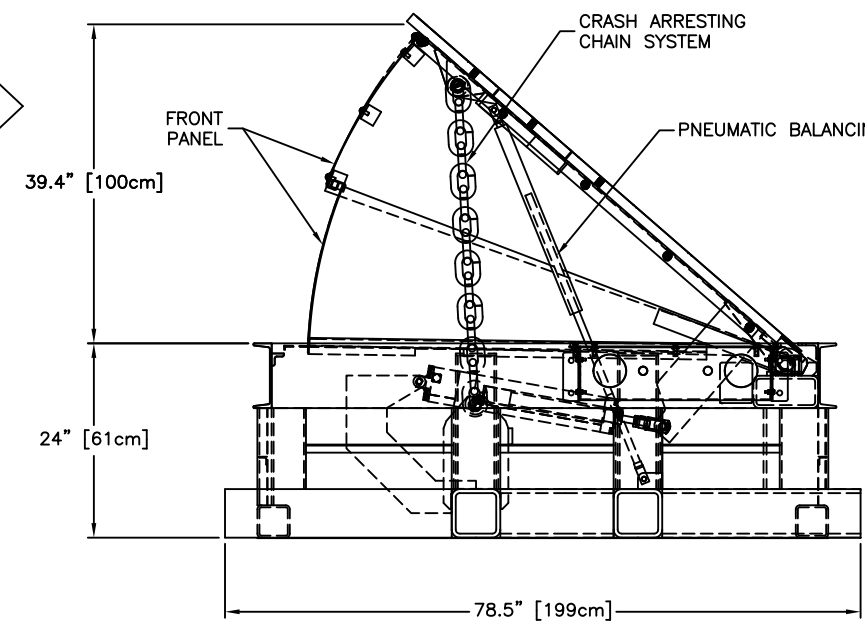
RAM HAS (3) 3/4" THREADED ATTACHMENT POINTS FOR LIFTING. THE ATTACHMENT MEANS BETWEEN THE BARRIER RAMP AND THE LIFTING GEAR MUST BE SIZED OR DESIGNED TO TAKE INTO CONSIDERATION BOTH VERTICAL LIFTING AS WELL AS SIDE LOADING CONDITIONS. THE USE OF PROPERLY SIZED SPREADER BARS OR DUAL VERTICAL LIFTS ARE RECOMMENDED.

NOTES:

- OPTIONAL AVAILABLE FEATURES (PARTIAL)

	DESCRIPTION	PART NO.
(A)	HEATER, 1400 WATTS @ 120 VOLTS	B1285
(A)	HEATER, 1400 WATTS @ 240 VOLTS	B1286
(B)	LIMIT SWITCH, FULLY DOWN	B2005
(C)	LIMIT SWITCH, FULLY UP	B2006
(D)	HOT-DIP GALVANIZING PRIOR TO PAINTING	GALV
- COLOR OPTIONS:
 WHITE W/6" WIDE YELLOW STRIPES
 BLACK W/6" WIDE YELLOW STRIPES
 WHITE W/6" WIDE RED STRIPES

 FOUNDATION – ASBESTOS FREE ASPHALT EMULSION UNDERCOAT.
- ALL STEEL MEMBERS PER AISC STANDARDS WELDING DESIGN CRITERIA AWS D1.1, LATEST REVISION.
- ALL MILD STEEL COMPONENTS SANDBLASTED TO NEAR WHITE METAL AFTER FABRICATION AND PRIOR TO COATING.



SIDE ELEVATION – UP POSITION

REV.	DESCRIPTION	DRWN BY	DATE	APPVD BY	DATE
D	ECO 2016-062	J. MANOR	1/17/2014		
C	ECO 2016-016	J. MANOR	2/11/16		
B	ECO 2015-061	JNF	06/29/15		
A	ECO 2014-075	M.C.	07/25/14		

<small>THIS DRAWING UNLESS OTHERWISE NOTED, REMAINS THE CONFIDENTIAL PROPERTY AND TRADE SECRET OF DELTA SCIENTIFIC CORPORATION. IT SHALL NOT BE DISCLOSED, REPRODUCED OR USED FOR MANUFACTURING, DESIGN OR CONSTRUCTION WITHOUT THE EXPRESS AUTHORIZATION OF DELTA SCIENTIFIC CORPORATION. THE RECIPIENT BY ACCEPTING THIS DRAWING, ASSUMES CUSTODY THEREOF AND UNDER THE ABOVE TERMS AGREES NOT TO ALLOW USE OF BY UNAUTHORIZED PERSONS.</small>		<small>UNLESS OTHERWISE NOTED DIMENSIONS ARE IN INCHES</small>	DELTA SCIENTIFIC CORPORATION 40355 DELTA LANE PALMDALE, CA 93551 U.S.A. (661) 575-1100 FAX (661) 575-1109
TOLERANCES .X = ±.250/FT .XX = ±.125/FT .XXX = ±.063/FT	HD300EM PHALANX BARRIER GENERAL ARRANGEMENT		DRAWING NO. 90155
DRWN BY J. MANOR	DATE 1/17/2014	SCALE: 1:12 (D SIZE)	REV. D
CHKD BY	DATE	SHEET 1 OF 1	
APPVD BY	DATE		

