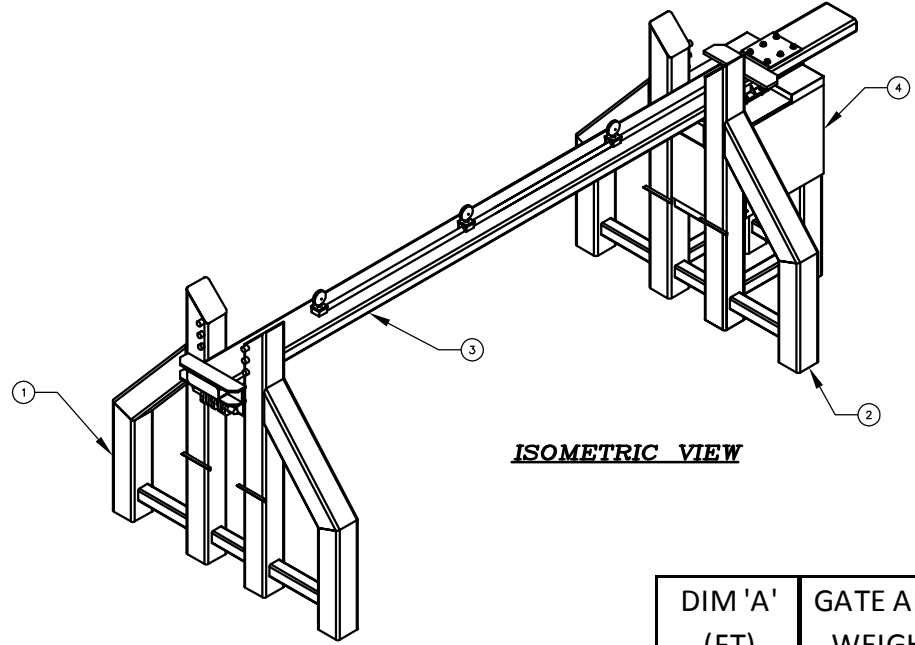
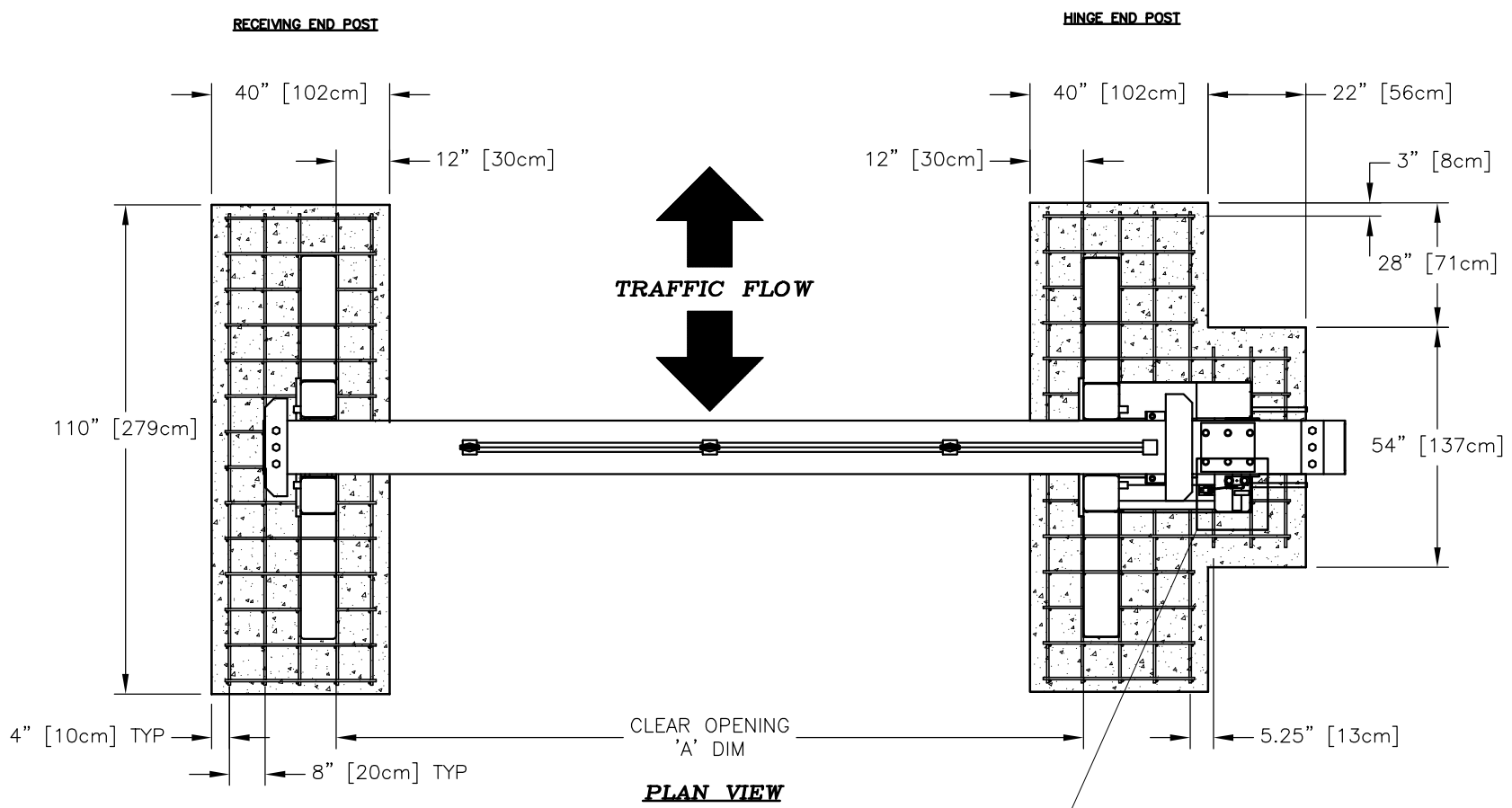
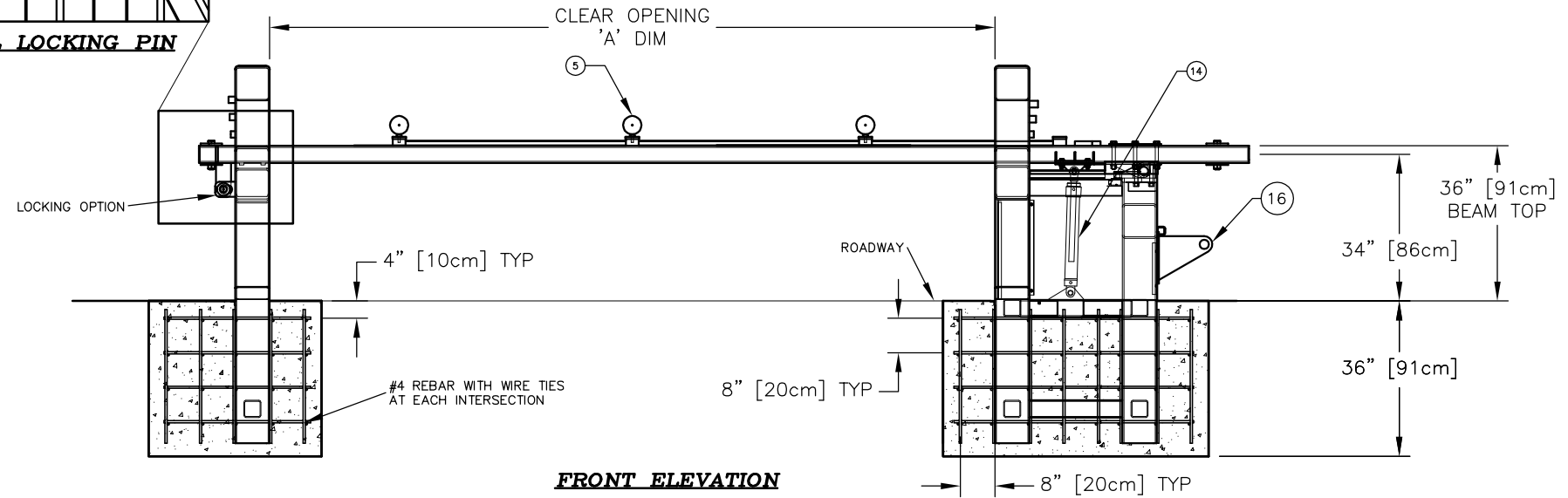
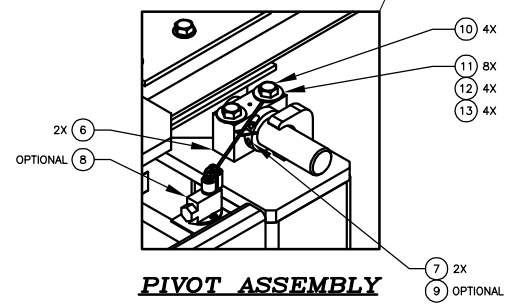
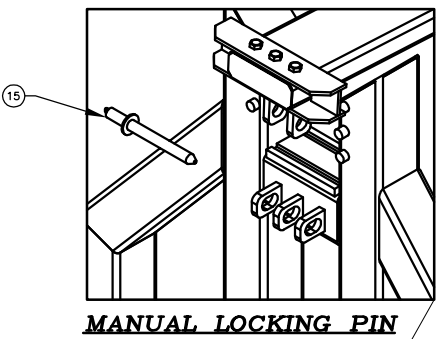


ITEM	REQ'D	DESCRIPTION/MATERIAL	WT EA	TOT WT	REF NO	
1	1	RECEIVING BUTTRESS	1,201	1,201	13325	
2	1	HINGE BUTTRESS	1,862	1,862	13318	
3	1	GATE ARM ASSEMBLY	-	SEE TABLE	13391	
4	1	BUTTRESS COVER, ONE PAIR	62	62	13367	
OPTIONAL	5	0 OR 1	B4030 FLASHING LIGHT KIT	2	2	13365
6	2	BEARING BLOCK	9	17	13363	
7	2	SHAFT COLLAR, TWO PIECE	1	2	2465-198	
OPTIONAL	8	0 TO 2	LIMIT SWITCH,	1	2	2465-29
OPTIONAL	9	0 TO 2	LIMIT SWITCH TAB	-	-	13366
10	4	BOLT, 3/4"-16 X 5" LONG (GRADE 8)	1	3	HHC34165	
11	8	FLAT WASHER, 3/4" SAE	0	0	WAS34SAE	
12	4	SPLIT LOCKING WASHER, 3/4"	0	0	WAS34SL	
13	4	NUT, 3/4"-16	0	0	NUT3416	
14	1	HYDRAULIC CYLINDER, 3" DIA X 18" STROKE	15	15	8292-XXX	
15	1	CLOSED LOCKING PIN	9	9	11373	
16	1	OPEN LOCKING PIN	6.0	6.0	13727	



DIM 'A' (FT)	GATE ARM WEIGHT	TOTAL WEIGHT
12	878	4054
13	926	4102
14	954	4130
15	992	4168
16	1029	4205



REV.	DESCRIPTION	DRWN BY	DATE	APPVD BY	DATE
K	ECO 2013-027	M.J.S.	7/12/13		
J	ECO 2011-103	D.K.	8/24/11		
H	ECO 2011-093	JNF	07/14/11		
G	ECO 2008-072	DCM	07/14/08		
F	ECO 2007-127	J.D.	10/8/07		
E	ECO 2007-124	J.D.	9/25/07		
D	ECO 2007-068	J.D.	4/6/07		
C	WEB BELTS REMOVED BY DOS	J.M.	01/29/07		
B	ECO 2006-162	J.D.	12/13/06		
A	ECO 2006-117	J.M.	9/19/06		

THE DRAWING UNLESS OTHERWISE NOTED, REMAINS THE CONFIDENTIAL PROPERTY AND TRADE SECRET OF DELTA SCIENTIFIC CORPORATION. IT SHALL NOT BE DISCLOSED, REPRODUCED OR USED FOR MANUFACTURING, DESIGN OR CONSTRUCTION WITHOUT THE EXPRESS AUTHORIZATION OF DELTA SCIENTIFIC CORPORATION. THE RECIPIENT BY ACCEPTING THIS DRAWING, ASSUMES CUSTODY THEREOF AND UNDER THE ABOVE TERMS AGREES NOT TO ALLOW USE OF BY UNAUTHORIZED PERSONS.

UNLESS OTHERWISE NOTED DIMENSIONS ARE IN INCHES

TOLERANCES
 .X = ±.060/FT
 .XX = ±.030/FT
 .XXX = ±.010/FT
 ANGLES = ±.5°

SURFACE FINISH
 125

REMOVE ALL BURRS & BREAK SHARP EDGES .02 MAX

DELTA SCIENTIFIC CORPORATION
 40355 DELTA LANE
 PALMDALE, CA 93551 U.S.A.
 (661) 575-1100 FAX (661) 575-1109

DSC7000(H) GENERAL ARRANGEMENT
12-16FT CLEAR OPENING

DRWN BY J. STAGGS	DATE 3/4/11	DRAWING NO. 90275	REV. K
CHKD BY	DATE	SCALE: 1:20 (D SIZE)	SHEET 1 OF 1
APPVD BY	DATE		

© 2011 ALL RIGHTS RESERVED