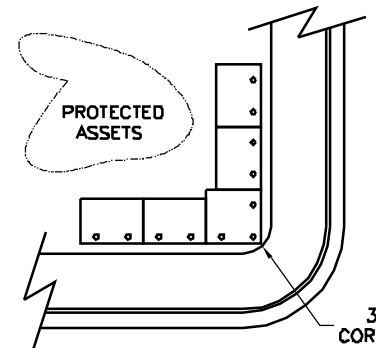


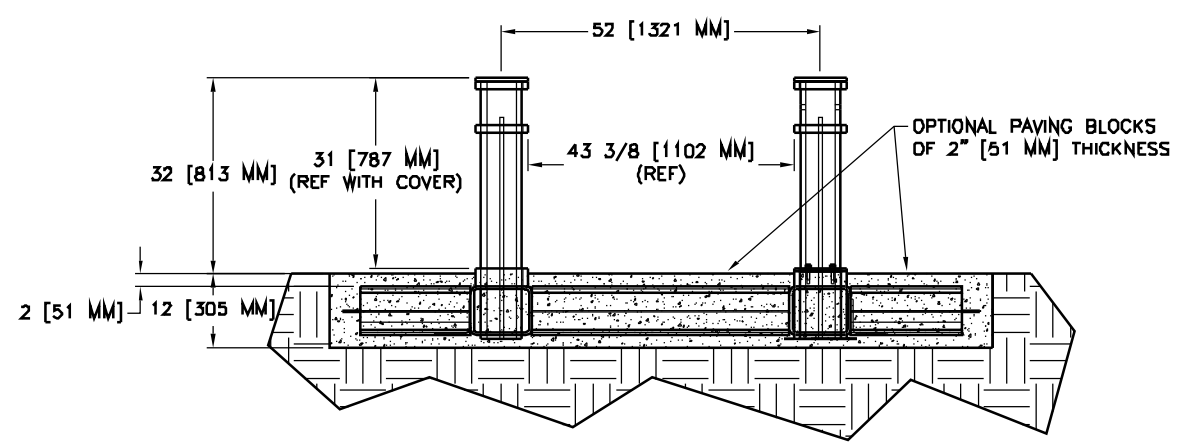
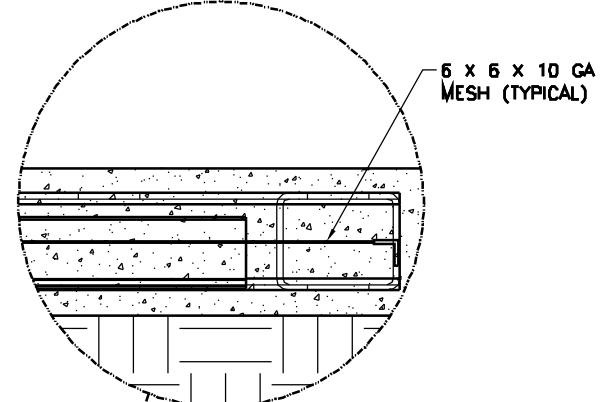
MINIMUM RADIUS WITH MODIFIED FOUNDATION CROSS MEMBERS
13.5 FT [4100 MM]

CONVEX CORNER ARRAY

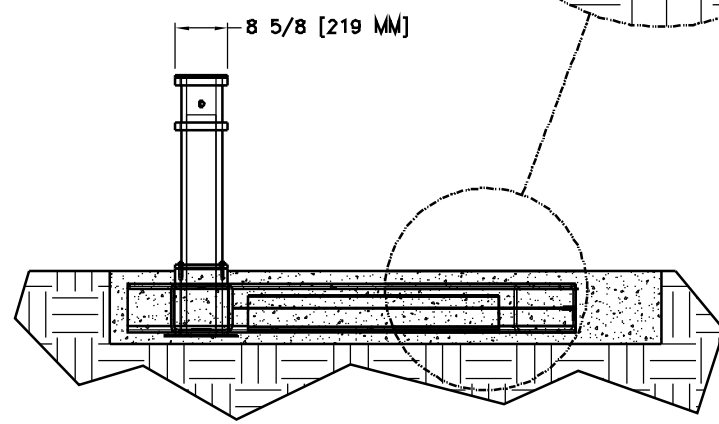


SHARP ANGLE ARRAY

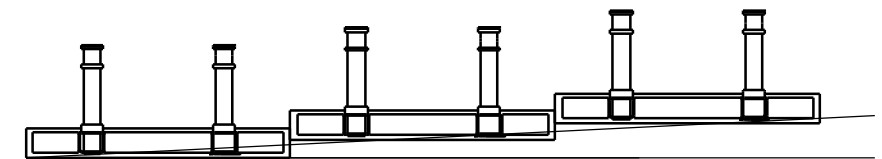
3 BOLLARD CORNER MODULE



SECTION A-A



SECTION B-B



INCLINE ARRAY

A	SEE ECO 2007-149	K. RAS	12/11/07		
REV.	DESCRIPTION	DRWN BY	DATE	APPVD BY	DATE
<small>THIS DRAWING UNLESS OTHERWISE NOTED REMAINS THE SOLE PROPERTY AND TRADE SECRET OF DELTA SCIENTIFIC CORPORATION. IT SHALL NOT BE DISCLOSED, REPRODUCED OR USED FOR MANUFACTURE, DESIGN OR CONSTRUCTION WITHOUT THE EXPRESS AUTHORIZATION OF DELTA SCIENTIFIC CORPORATION. THE HOLDER BY ASSUMING THIS DRAWING ASSUMES CUSTODY THEREOF AND UNDER THE ABOVE TERMS AGREES NOT TO ALLOW USE OF BY UNAUTHORIZED PERSONS.</small>		<small>UNLESS OTHERWISE NOTED DIMENSIONS ARE IN INCHES</small>		<p>DELTA SCIENTIFIC CORPORATION 40355 DELTA LANE PALMDALE, CA 93551 U.S.A. (661) 575-1100 FAX (661) 575-1109</p>	
<small>TOLERANCES .X = ±.060 .XX = ±.030 .XXX = ±.010 ANGLES = ±.5°</small>		<small>SURFACE FINISH 125</small>		<p>BOLLARDS MODULE SERIES DSC650</p>	
DRWN BY	DATE	DATE	DRAWING NO:	REV:	
K. RAS	12/3/07		90480	A	
CHKD BY	DATE	DATE	SCALE:	SHEET	
			1:16	1 OF 1	
<small>© 2007 ALL RIGHTS RESERVED</small>		<small>REMOVE ALL BURRS & BREAK SHARP EDGES .02 MAX</small>			