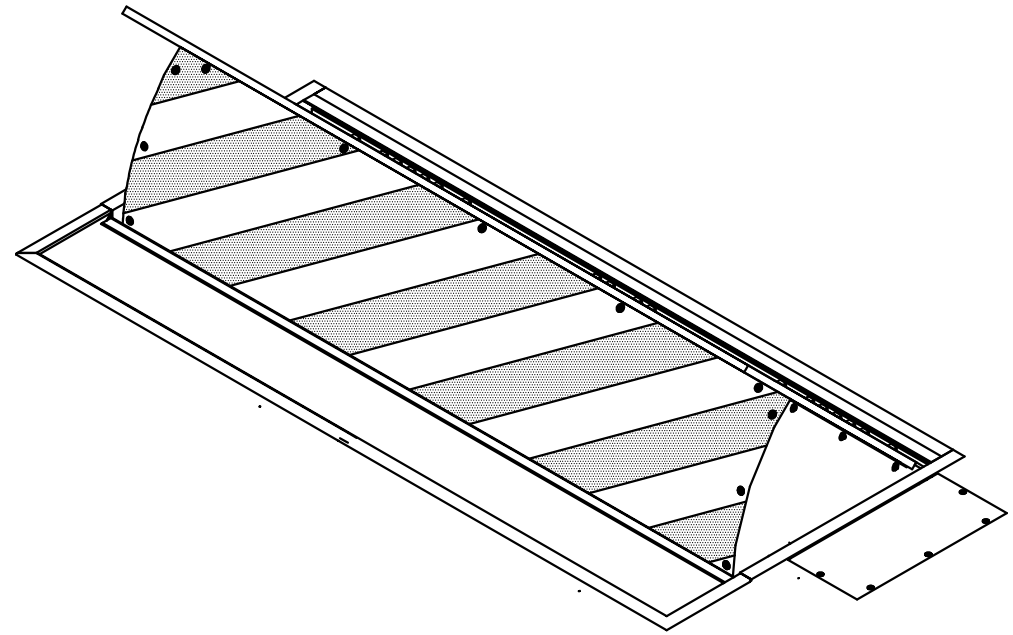
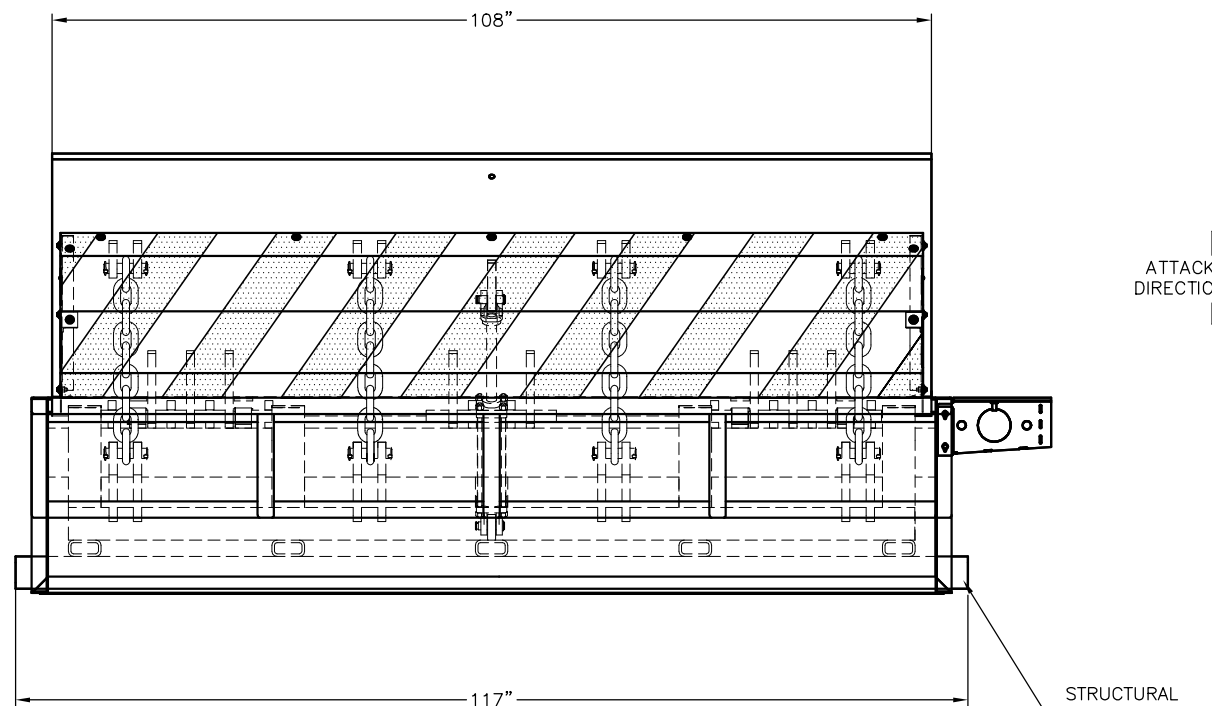


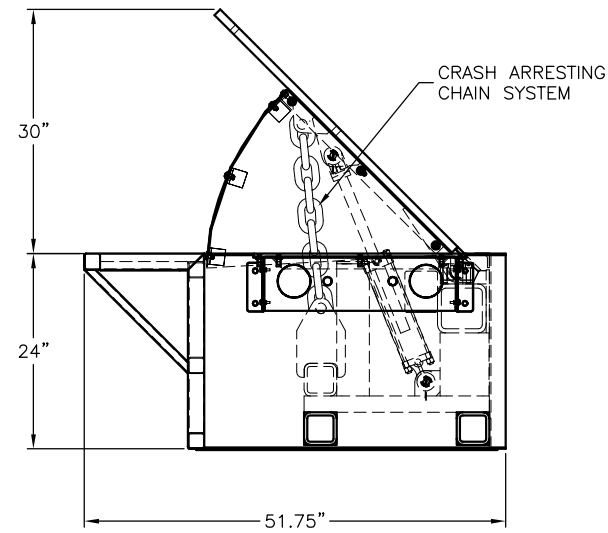
PLAN VIEW - DOWN POSITION



ISOMETRIC VIEW



FRONT ELEVATION - UP POSITION



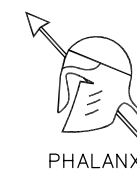
SIDE ELEVATION - UP POSITION

NOTES:

- OPTIONAL AVAILABLE FEATURES (PARTIAL)

	PART NO.
(A) HEATER, 1400 WATTS @ 120 VOLTS	B1285
(A) HEATER, 1400 WATTS @ 240 VOLTS	B1286
(B) LIMIT SWITCH, FULLY DOWN	B2005
(C) LIMIT SWITCH, FULLY UP	B2006
(D) HOT-DIP GALVANIZING PRIOR TO PAINTING	GALV
- COLOR OPTIONS:
 WHITE W/6" WIDE YELLOW STRIPES
 BLACK W/6" WIDE YELLOW STRIPES
 WHITE W/6" WIDE RED STRIPES

 FOUNDATION - ASBESTOS FREE ASPHALT EMULSION UNDERCOAT.
- ALL STEEL MEMBERS PER AISC STANDARDS WELDING DESIGN CRITERIA AWS D1.1, LATEST REVISION.
- ALL MILD STEEL COMPONENTS SANDBLASTED TO NEAR WHITE METAL AFTER FABRICATION AND PRIOR TO COATING.



PHALANX™

THIS DRAWING UNLESS OTHERWISE NOTED, REMAINS THE CONFIDENTIAL PROPERTY AND TRADE SECRET OF DELTA SCIENTIFIC CORPORATION. IT SHALL NOT BE DISCLOSED, REPRODUCED OR USED FOR MANUFACTURE, DESIGN OR CONSTRUCTION WITHOUT THE EXPRESS AUTHORIZATION OF DELTA SCIENTIFIC CORPORATION. THE REPLIER BY ACCEPTING THIS DRAWING, ASSUMES CUSTODY THEREOF AND UNDER THE ABOVE TERMS AGREES NOT TO ALLOW USE OF BY UNAUTHORIZED PERSONS.

UNLESS OTHERWISE NOTED DIMENSIONS ARE IN INCHES

TOLERANCES
 .X = ±.250/FT
 .XX = ±.125/FT
 .XXX = ±.063/FT

DELTA SCIENTIFIC CORPORATION		40355 DELTA LANE PALMDALE, CA 93551 U.S.A. (661) 575-1100 FAX (661) 575-1109	
DELTA		HD200 HYDRAULIC PHALANX BARRIER GENERAL ARRANGEMENT	
DRWN BY J. MANOR	DATE 8/10/2016	DRAWING NO. 90320	REV. —
CHKD BY	DATE	SCALE: 1:12 (D-SIZE)	SHEET 1 OF 1
APPVD BY	DATE		

© 2016 ALL RIGHTS RESERVED