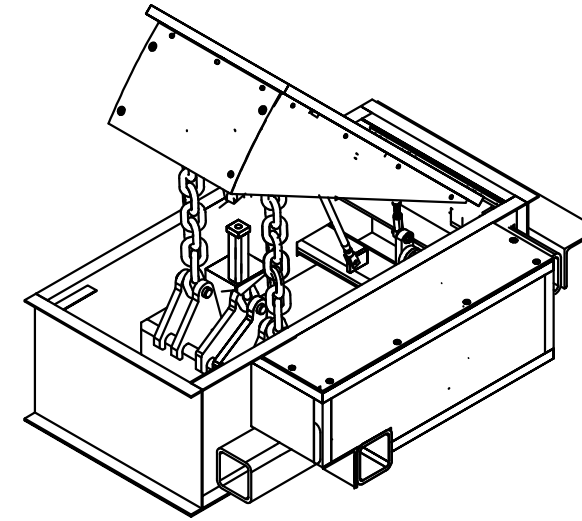
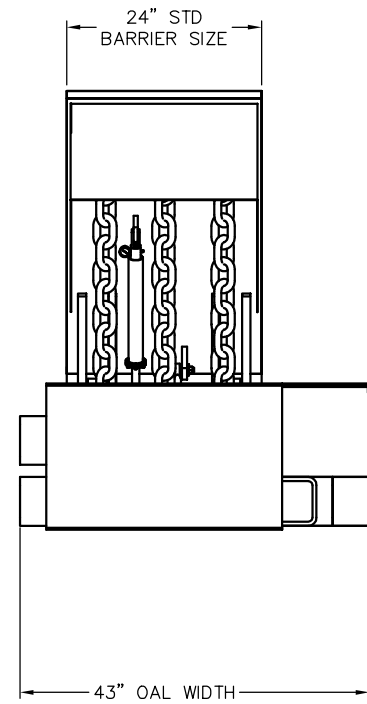


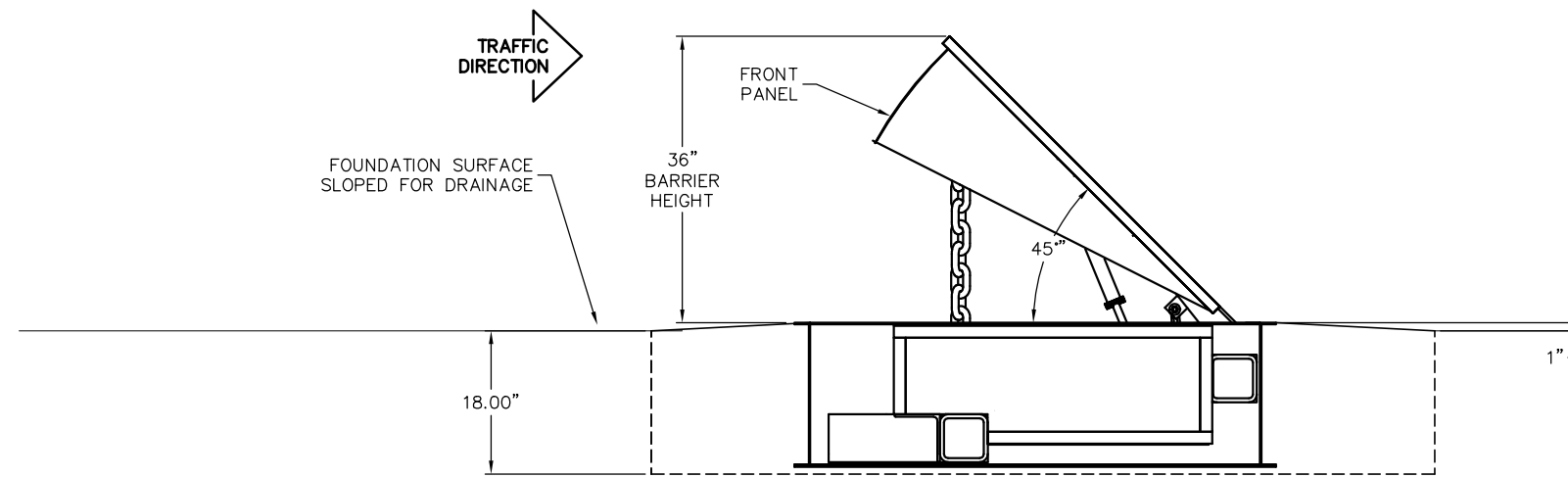
**PLAN VIEW - DOWN POSITION**



**ISOMETRIC VIEW**



**FRONT ELEVATION - UP POSITION**



**SIDE ELEVATION - UP POSITION**



THIS DRAWING UNLESS OTHERWISE NOTED, REMAINS THE CONFIDENTIAL PROPERTY AND TRADE SECRET OF DELTA SCIENTIFIC CORPORATION. IT SHALL NOT BE DISCLOSED, REPRODUCED OR USED FOR MANUFACTURE, DESIGN OR CONSTRUCTION WITHOUT THE EXPRESS AUTHORIZATION OF DELTA SCIENTIFIC CORPORATION. THE USER BY ACCEPTING THIS DRAWING, ASSUMES CUSTODY THEREOF AND UNDER THE ABOVE TERMS AGREES NOT TO ALLOW USE OF BY UNAUTHORIZED PERSONS.

© 1996  
ALL RIGHTS RESERVED

UNLESS OTHERWISE NOTED, DIMENSIONS ARE IN INCHES.

**TOLERANCES**  
.X = ±.250/FT  
.XX = ±.125/FT  
.XXX = ±.063/FT

<b>DELTA SCIENTIFIC CORPORATION</b>			
40355 DELTA LANE PALMDALE, CA 93551 U.S.A. (661) 575-1100 FAX (661) 575-1109			
<b>HD2055 BARRIER GENERAL ARRANGEMENT</b>			
DRWN BY J. MANOR	DATE 11/4//2015	DRAWING NO. <b>90154</b>	REV. -
CHKD BY	DATE	SCALE: 1:12 (D SIZE)	SHEET 1 OF 1
APPVD BY	DATE		