

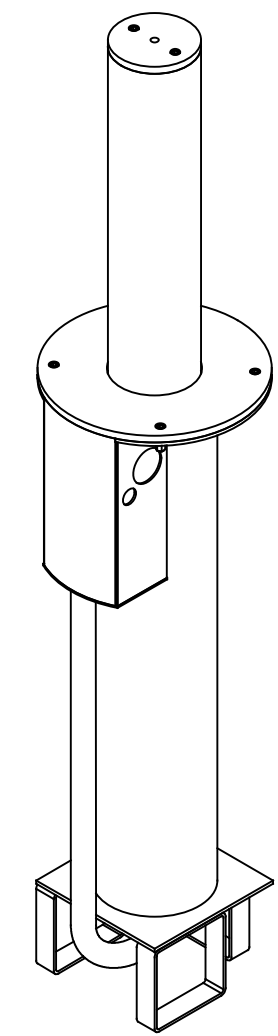
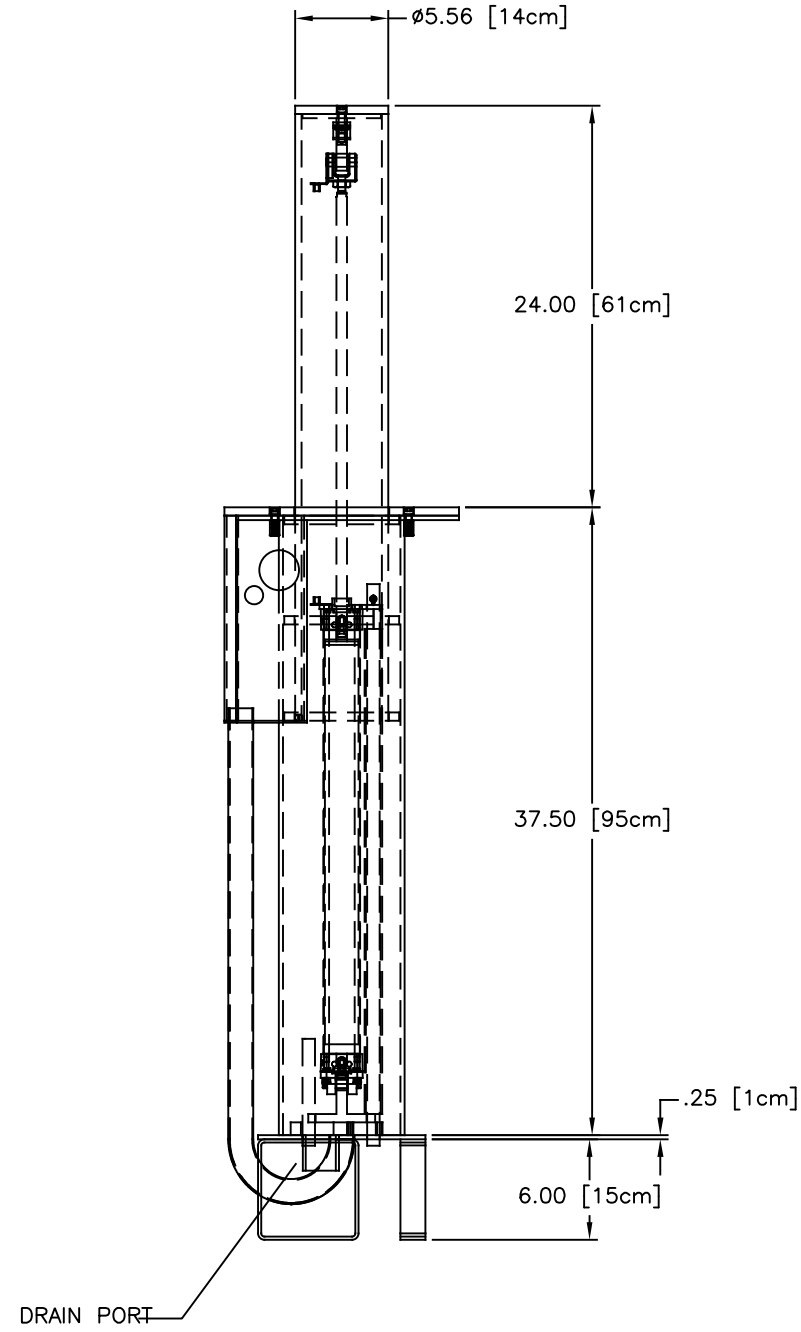
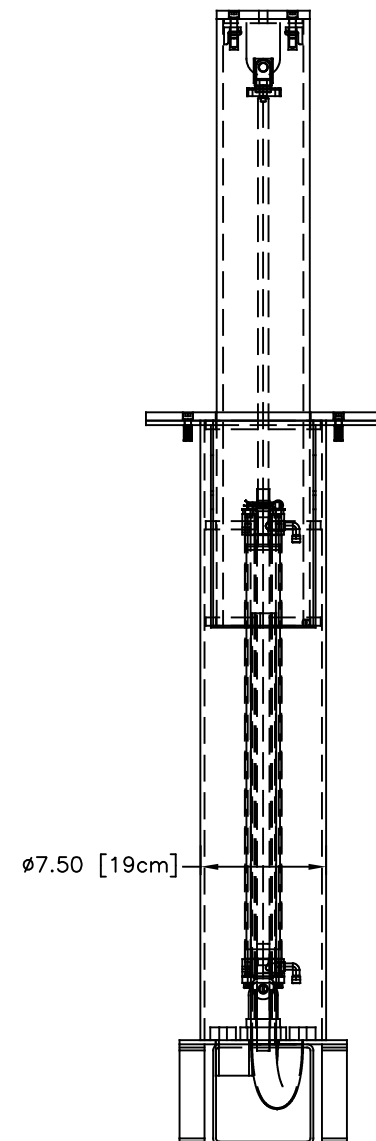
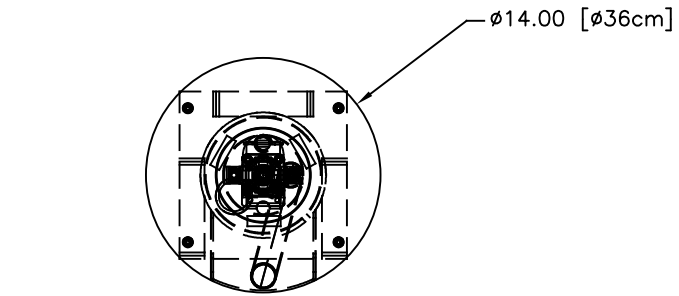
NOTES:

1. OPTIONAL FEATURES INCLUDE:

PART NO.

(A)	HEATER, 200 WATTS @ 120 VOLTS	B1200
(A)	HEATER, 200 WATTS @ 240 VOLTS	B1201
(B)	LIMIT SWITCH, FULLY DOWN	B2015

>>>ALL DIMENSIONS ARE REFERENCE<<<
>>>DIMENSIONS ARE IN INCHES[CM]<<<



REV.	TITLE CORRECTION	DFD	9-21-18	DATE	APPVD BY	DATE
A	TITLE CORRECTION	DFD	9-21-18			
<small>THIS DRAWING UNLESS OTHERWISE NOTED, REMAINS THE CONFIDENTIAL PROPERTY AND TRADE SECRET OF DELTA SCIENTIFIC CORPORATION. IT SHALL NOT BE DISCLOSED, REPRODUCED OR USED FOR MANUFACTURE, DESIGN OR CONSTRUCTION WITHOUT THE EXPRESS AUTHORIZATION OF DELTA SCIENTIFIC CORPORATION. THE ACCEPTOR BY ACCEPTING THIS DRAWING, ASSUMES CUSTODY THEREOF AND UNDER THE ABOVE TERMS AGREES NOT TO ALLOW USE OF BY UNAUTHORIZED PERSONS.</small>		<small>UNLESS OTHERWISE NOTED DIMENSIONS ARE IN INCHES</small>				
<small>TOLERANCES .X = ±.060/FT .XX = ±.030/FT .XXX = ±.010/FT ANGLES = ±.5°</small>		<small>SURFACE FINISH 125</small>		DELTA SCIENTIFIC CORPORATION 40355 DELTA LANE PALMDALE, CA 93551 U.S.A. (861) 575-1100 FAX (861) 575-1109		
<small>REMOVE ALL BURRS & BREAK SHARP EDGES .02 MAX</small>		<small>DRWN BY J. MANOR</small>		<small>DATE 7/20/12</small>		<small>DRAWING NO. 90484</small>
<small>© 2001 ALL RIGHTS RESERVED</small>		<small>CHKD BY</small>		<small>DATE</small>		<small>REV. A</small>
		<small>APPVD BY</small>		<small>DATE</small>		<small>SCALE: 1:12 (D SIZE)</small>
						<small>SHEET 1 OF 1</small>