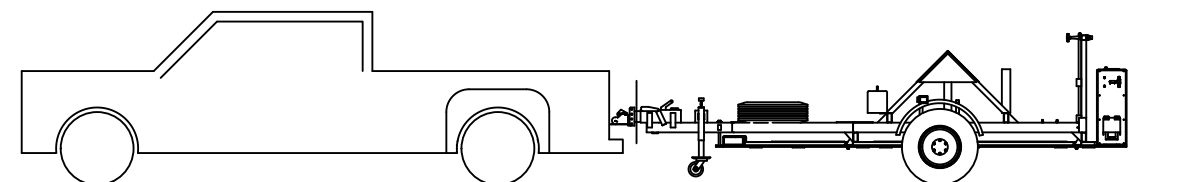
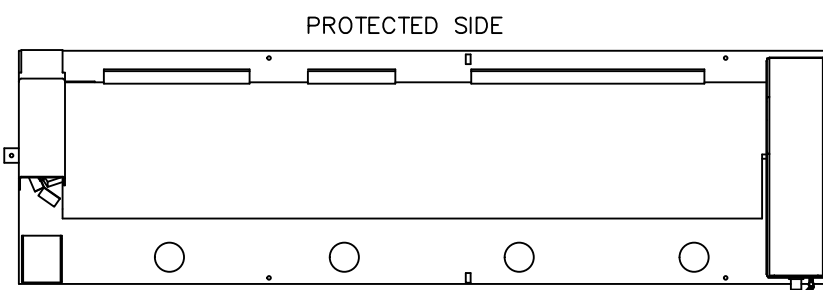
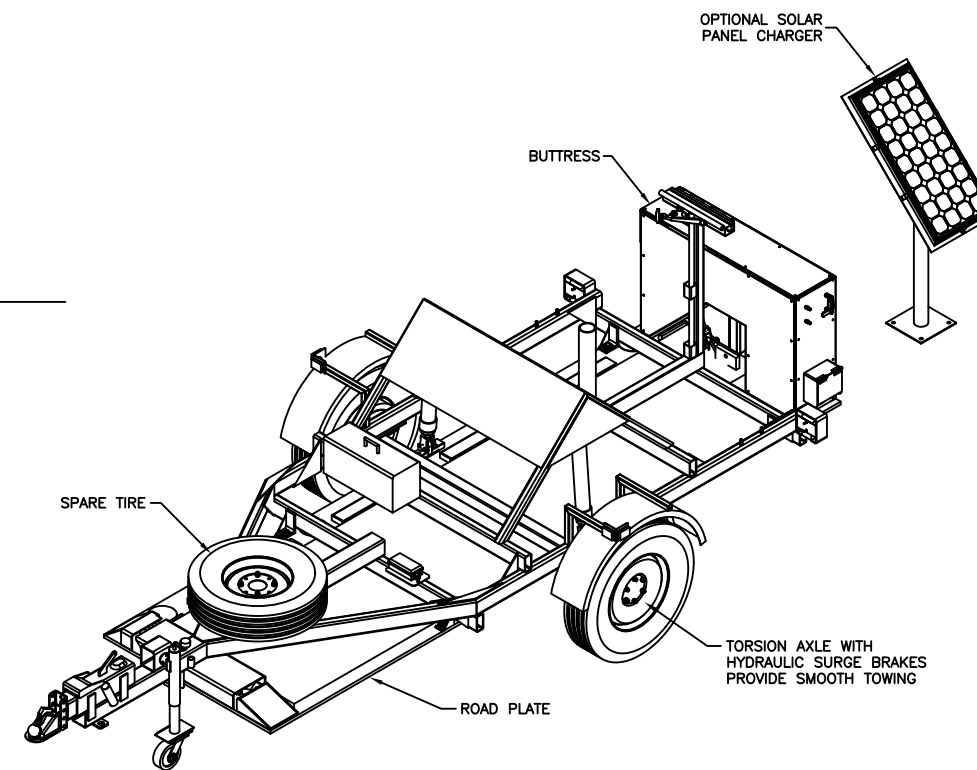


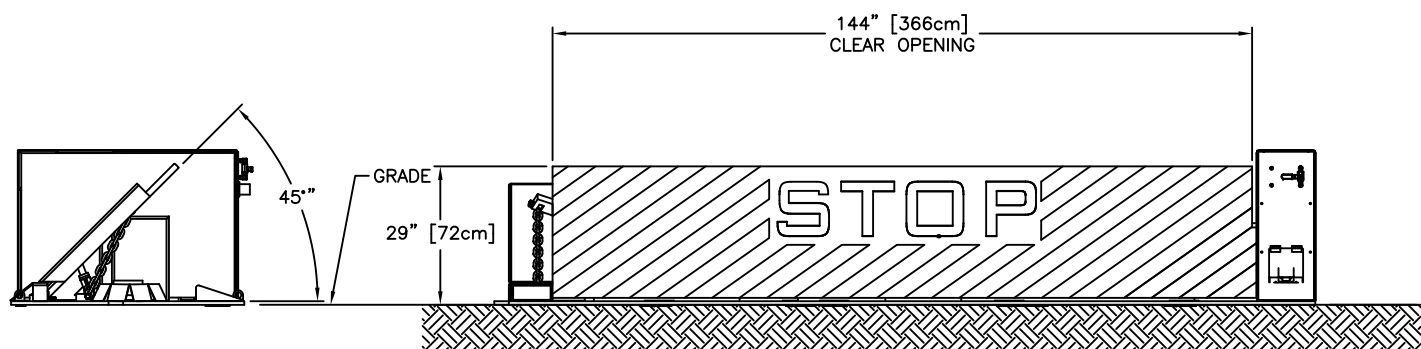
OPTIONS	PART NO.
HITCH BALL, 2-5/16"	2461-130
LUNETTE EYE, 3" (EU COMPLIANT)	2461-129
SOLAR PANEL ASSEMBLY	90593
CABLE KIT, 120 VOLTS, 60 Hz	9149-120
CABLE KIT, 220 VOLTS, 50 Hz	9149-220
REMOTE PUSH BUTTON STATION	MPL-4050-20'
TRAFFIC SIGNAL, DOWN L/S, MTC-26 (24")	B2050
FULLY DOWN LIMIT SWITCH (9056-3)	B2010
POST, SIGNAL LIGHT, 48" HIGH	MPL-20



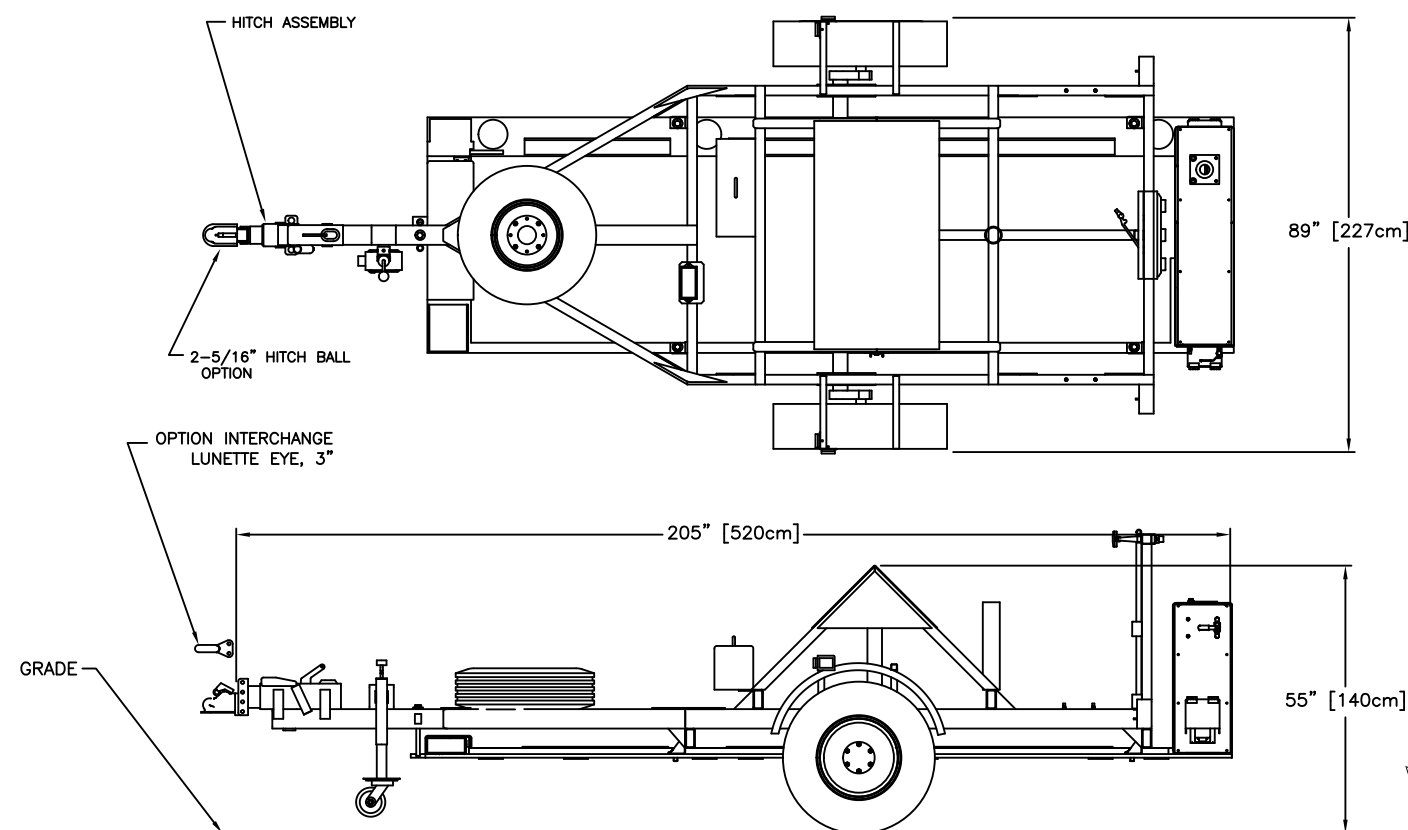
TOW EXAMPLE



ATTACK SIDE
PLAN VIEW



BARRIER RAISED



BARRIER MOUNTED ON TRAILER

**DELTA SCIENTIFIC'S DSC1000
PORTABLE CRASH RATED BARRIER**

THE DSC1000 PORTABLE BARRIER HAS PASSED AN ASTM CRASH TEST IN WHICH IT STOPPED A 5,000 - POUND (2300 kg) VEHICLE GOING 40 mph (80 kph), PROVIDING IT WITH A ASTM RATING OF P4.

DESCRIPTION	WEIGHTS	
BARRIER ONLY	4,320 LBS	1960 Kg
TRAILER ONLY	1,315 LBS	596 Kg
BARRIER W/TRAILER	5,635 LBS	2556 Kg
TONGUE @ 25" [64 cm] HIGH	148 LBS	67 Kg

1. OPTION B2050 SELECT MTC-26, 24" HIGH BARRIER MOUNT OR MPL-20, 48" HIGH OFF BARRIER MOUNT.
NOTES:

B	ECO 2011-108	M.C.	9/9/11	D.M.	9/9/11
A	ECO 2008-097	JFW	8/29/08		
REV.	DESCRIPTION	DRWN BY	DATE	APPVD BY	DATE
<small>THIS DRAWING UNLESS OTHERWISE NOTED, REMAINS THE CONFIDENTIAL PROPERTY AND TRADE SECRET OF DELTA SCIENTIFIC CORPORATION. IT SHALL NOT BE DISCLOSED, REPRODUCED OR USED FOR MANUFACTURING, DESIGN OR CONSTRUCTION WITHOUT THE EXPRESS AUTHORIZATION OF DELTA SCIENTIFIC CORPORATION. THE RECIPIENT BY ACCEPTING THIS DRAWING, AGREES TO CUSTODY THEREOF AND UNDER THE ABOVE TERMS AGREES NOT TO ALLOW USE OF IT BY UNAUTHORIZED PERSONS.</small>		<small>UNLESS OTHERWISE NOTED DIMENSIONS ARE IN INCHES</small> TOLERANCES .X = ±.060 .XX = ±.030 .XXX = ±.010 ANGLES = ±.5° SURFACE FINISH 125		DELTA SCIENTIFIC CORPORATION 40355 DELTA LANE PALMDALE, CA 93551 U.S.A. (661) 575-1100 FAX (661) 575-1109 DSC1000 BARRIER GENERAL ARRANGEMENT	
DRWN BY	D. MILLER	DATE	05/30/07	DRAWING NO.	90255
CHKD BY		DATE		REV.	B
APPVD BY		DATE		SCALE:	1:20
<small>© 2007 ALL RIGHTS RESERVED REMOVE ALL BURRS & BREAK SHARP EDGES .02 MAX</small>		<small>PHALANX™</small>		SHEET 1 OF 1	