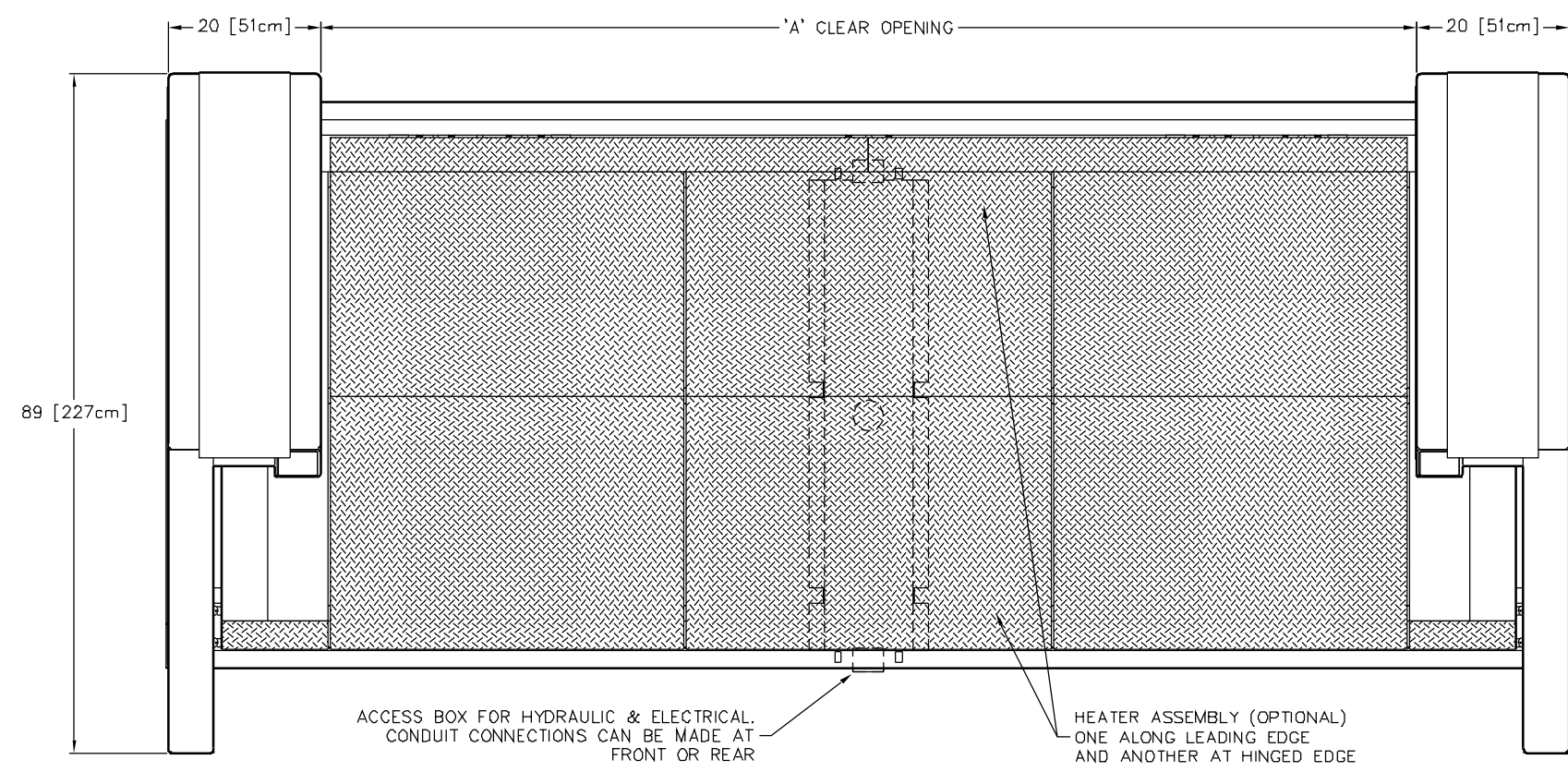
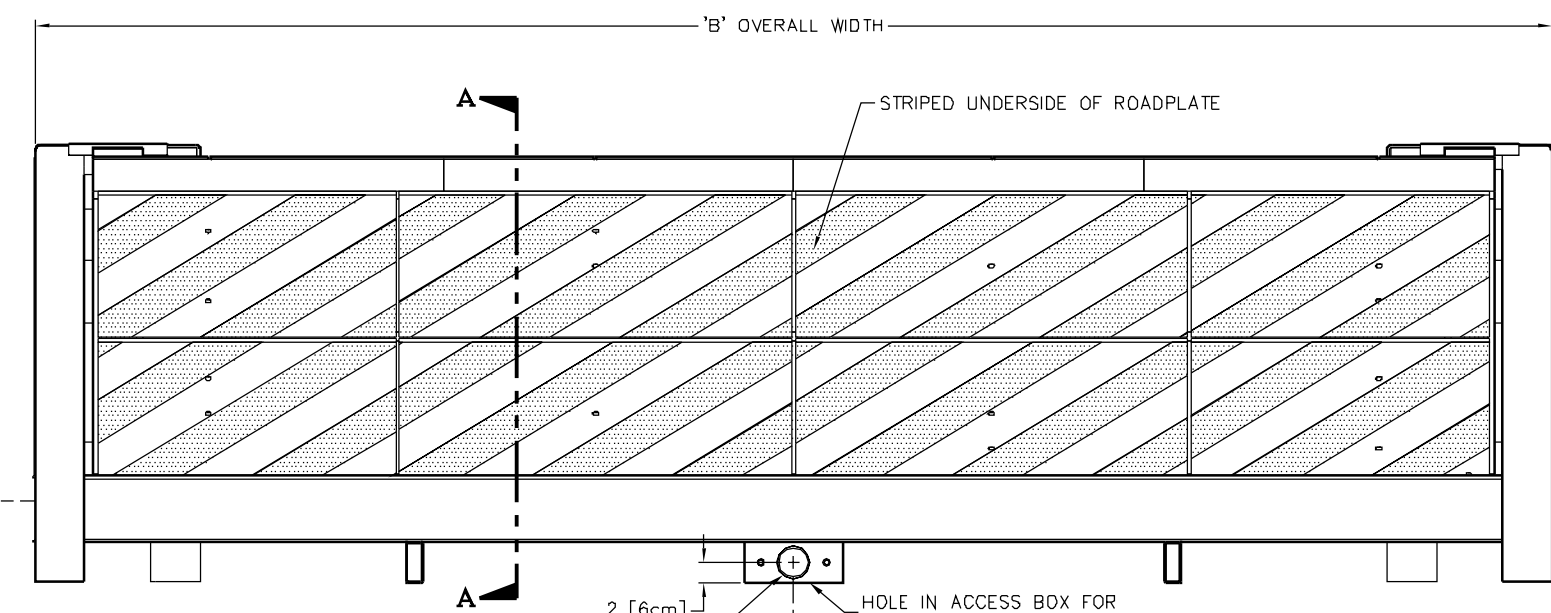
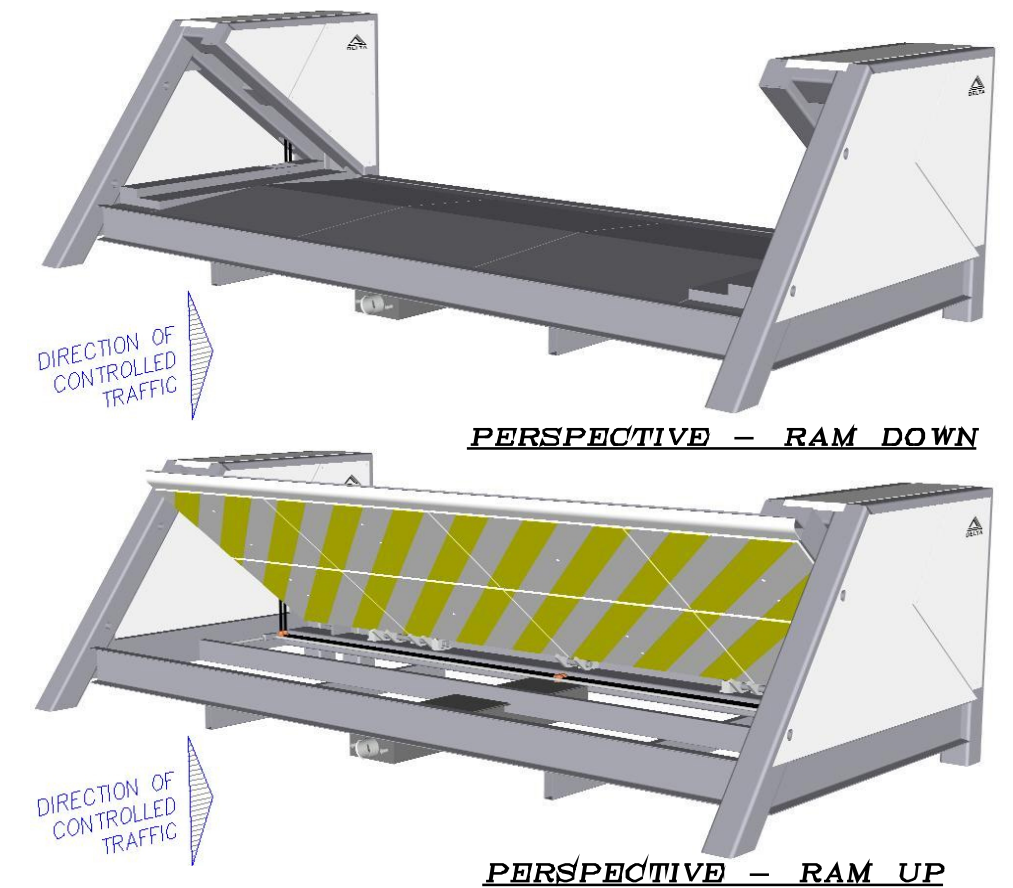


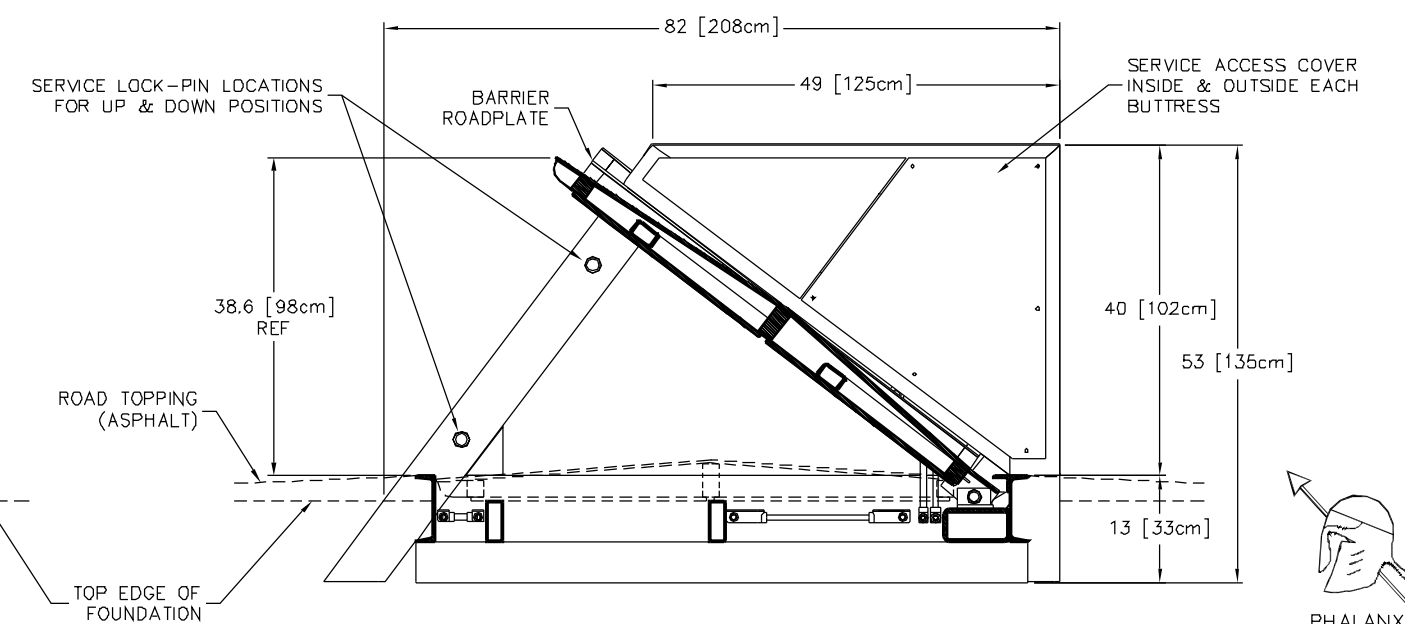
ITEM	REQ'D	DESCRIPTION/MATERIAL	REF NO
1	1	FRAME ASSEMBLY	7926-00
2	1	RAM ASSEMBLY	7927-00
3	2	HYDRAULIC CYLINDER, 3" x 10"	2468-10
4	0 or 1	LIMIT SWITCH, M-S BZE6-2RN (OPTIONAL)	2465-32



PLAN VIEW
(RAM IN DOWN POSITION)



FRONT ELEVATION



SECTION A-A

NOMINAL BARRIER SIZE		DIM "A"		DIM "B"		APPROX. WEIGHT		FRAME WEIGHT		RAM WEIGHT	
12 ft	3.7 m	144 in	366 cm	184 in	467 cm	8,370 lbs	3,800 kg	4,040 lbs	1,830 kg	4,330 lbs	1,960 kg
13 ft	4.0 m	156 in	396 cm	196 in	498 cm	8,720 lbs	3,960 kg	4,110 lbs	1,860 kg	4,610 lbs	2,090 kg
14 ft	4.3 m	168 in	427 cm	208 in	528 cm	9,070 lbs	4,110 kg	4,180 lbs	1,900 kg	4,890 lbs	2,220 kg
15 ft	4.6 m	180 in	457 cm	220 in	559 cm	9,420 lbs	4,270 kg	4,250 lbs	1,930 kg	5,170 lbs	2,350 kg
16 ft	4.9 m	192 in	488 cm	232 in	589 cm	9,770 lbs	4,430 kg	4,320 lbs	1,960 kg	5,450 lbs	2,470 kg
18 ft	5.5 m	216 in	549 cm	256 in	650 cm	10,470 lbs	4,750 kg	4,460 lbs	2,020 kg	6,010 lbs	2,730 kg
19 ft	5.8 m	228 in	579 cm	268 in	681 cm	10,820 lbs	4,910 kg	4,530 lbs	2,050 kg	6,290 lbs	2,850 kg
20 ft	6.1 m	240 in	610 cm	280 in	711 cm	11,170 lbs	5,070 kg	4,600 lbs	2,090 kg	6,570 lbs	2,980 kg

NOTES:

- OPTIONAL FEATURES INCLUDE:

	PART #
(A) HEATER, 1400 WATTS @ 120 VOLTS	B1350
(A) HEATER, 1400 WATTS @ 240 VOLTS	B1351
(B) LIMIT SWITCH, FULLY DOWN	B2010
(C) LIMIT SWITCH, FULLY UP	B2011
- REFERENCE DRAWING D02633 FOR COLOR OPTIONS:
D02633-3 WHITE W/6" WIDE YELLOW STRIPES
D02633-4 YELLOW W/6" WIDE BLACK STRIPES
D02633-5 WHITE W/6" WIDE RED STRIPES

- ALL STEEL MEMBERS PER AISC STANDARDS. WELDING DESIGN CRITERIA AWS D1.1, LATEST REVISION.
- ALL MILD STEEL COMPONENTS SANDBLASTED TO NEAR WHITE METAL AFTER FABRICATION AND PRIOR TO COATING.

D	REVISED TABULATED DATA	MP	06/14/02		
C	REVISED TABULATED DATA	JNF	08/08/00		
B	REVISED TO TABULATED FORM	T.S.	12/20/98		
A	REVISED ACCESS STUB-UP	T.S.	12/7/99		
REV.	DESCRIPTION	DRWN BY	DATE	APPVD BY	DATE

UNLESS OTHERWISE NOTED DIMENSIONS ARE IN INCHES

DELTA SCIENTIFIC CORPORATION
24901 WEST AVE. STANFORD
VALENCIA, CA 91355 U.S.A.
(805) 237-1800 FAX (805) 257-0617

MODEL TT207S/FM CAST-IN-PLACE TABULATED GENERAL ARRANGEMENT

DRWN BY	DATE	DRAWING NO.	REV.
T. SFORZA	12/7/99	90100	D
CHKD BY	DATE	SCALE:	SHEET
		1:12 (D SIZE)	1 OF 1

© 1996 ALL RIGHTS RESERVED