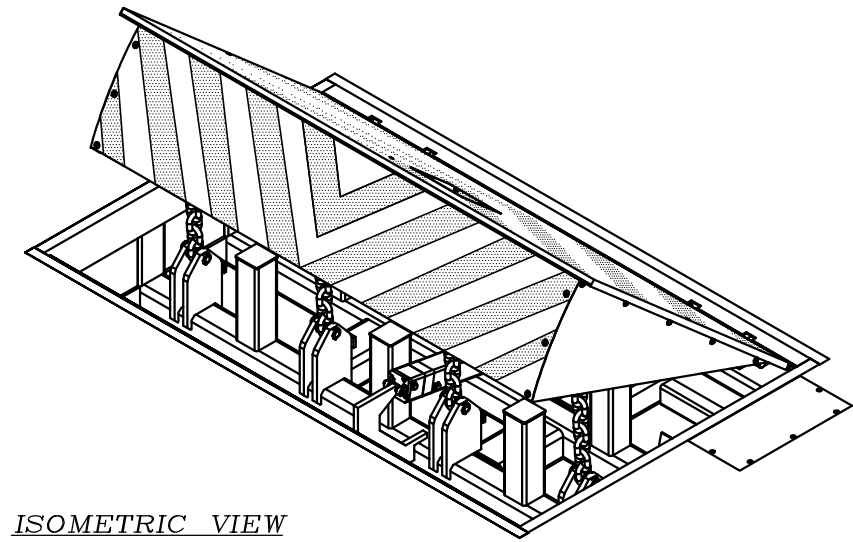


PLAN VIEW - DOWN POSITION



ISOMETRIC VIEW

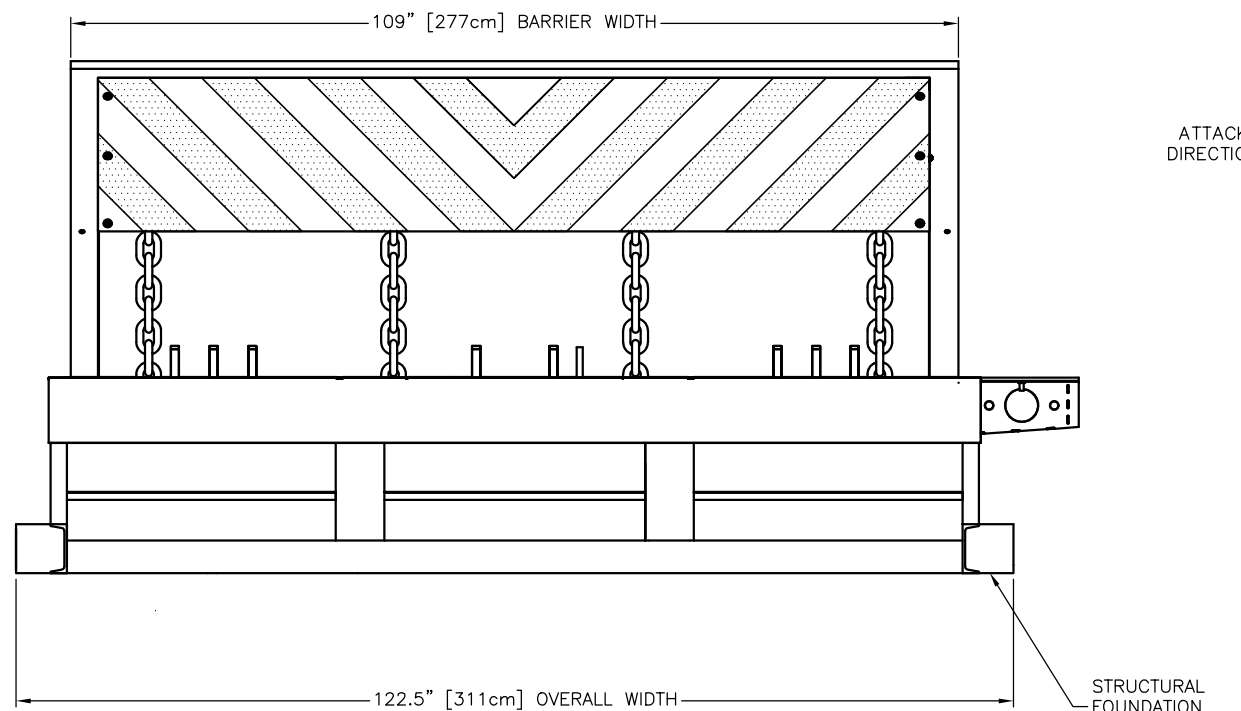
RAM HAS (3) 3/4" THREADED ATTACHMENT POINTS FOR LIFTING. THE ATTACHMENT MEANS BETWEEN THE BARRIER RAMP AND THE LIFTING GEAR MUST BE SIZED OR DESIGNED TO TAKE INTO CONSIDERATION BOTH VERTICAL LIFTING AS WELL AS SIDE LOADING CONDITIONS. THE USE OF PROPERLY SIZED SPREADER BARS OR DUAL VERTICAL LIFTS ARE RECOMMENDED.

NOTES:

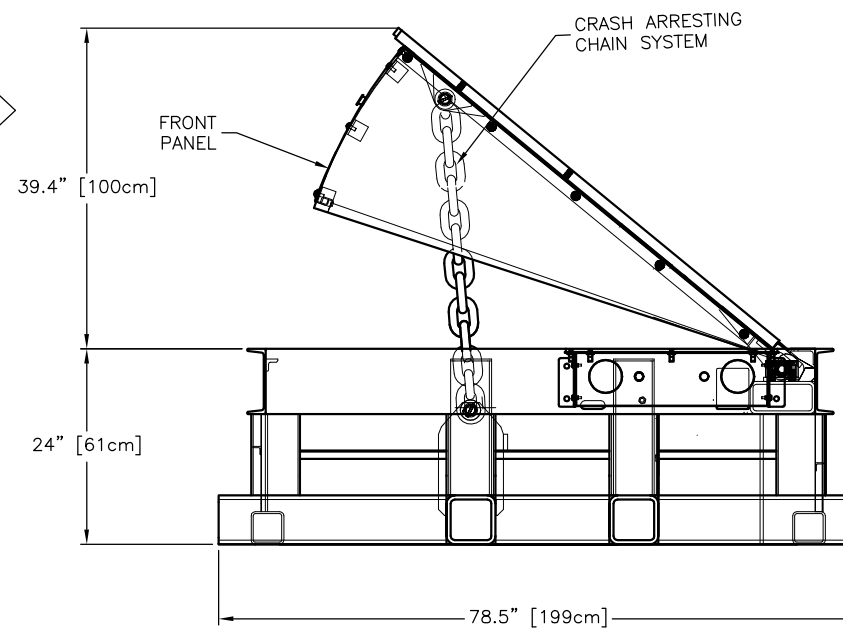
- OPTIONAL AVAILABLE FEATURES (PARTIAL)

	PART NO.
(A) HEATER, 1400 WATTS @ 120 VOLTS	B1293
(A) HEATER, 1400 WATTS @ 240 VOLTS	B1294
(B) LIMIT SWITCH, FULLY DOWN	B2005
(C) LIMIT SWITCH, FULLY UP	B2006
(D) HOT-DIP GALVANIZING PRIOR TO PAINTING	GALV
- COLOR OPTIONS:
 - WHITE W/6" WIDE YELLOW STRIPES
 - BLACK W/6" WIDE YELLOW STRIPES
 - WHITE W/6" WIDE RED STRIPES

FOUNDATION - ASBESTOS FREE ASPHALT EMULSION UNDERCOAT.
- ALL STEEL MEMBERS PER AISC STANDARDS WELDING DESIGN CRITERIA AWS D1.1, LATEST REVISION.
- ALL MILD STEEL COMPONENTS SANDBLASTED TO NEAR WHITE METAL AFTER FABRICATION AND PRIOR TO COATING.



FRONT ELEVATION - UP POSITION



SIDE ELEVATION - UP POSITION



<small>THIS DRAWING UNLESS OTHERWISE NOTED, REMAINS THE CONFIDENTIAL PROPERTY AND TRADE SECRET OF DELTA SCIENTIFIC CORPORATION. IT SHALL NOT BE DISCLOSED, REPRODUCED OR USED FOR MANUFACTURE, DESIGN OR CONSTRUCTION WITHOUT THE EXPRESS AUTHORIZATION OF DELTA SCIENTIFIC CORPORATION. THE REPORT BY ACCEPTING THIS DRAWING, ASSUMES CUSTODY THEREOF AND UNDER THE ABOVE TERMS AGREES NOT TO ALLOW USE OF BY UNAUTHORIZED PERSONS.</small>		<small>UNLESS OTHERWISE NOTED, DIMENSIONS ARE IN INCHES</small>		DELTA SCIENTIFIC CORPORATION <small>40355 DELTA LANE PALMDALE, CA 93551 U.S.A. (661) 575-1100 FAX (661) 575-1109</small>	
<small>TOLERANCES .X = ±.250/FT .XX = ±.125/FT .XXX = ±.063/FT</small>		HD300 BARRIER GENERAL ARRANGEMENT		<small>DRWN BY</small> J. MANOR <small>DATE</small> 1/17/2014 <small>CHKD BY</small> <small>DATE</small> <small>APPVD BY</small> <small>DATE</small>	
<small>© 1996 ALL RIGHTS RESERVED</small>		90155		<small>DRAWING NO.</small> 90155 <small>REV.</small> - <small>SCALE:</small> 1:12 <small>SHEET</small> 1 OF 1	