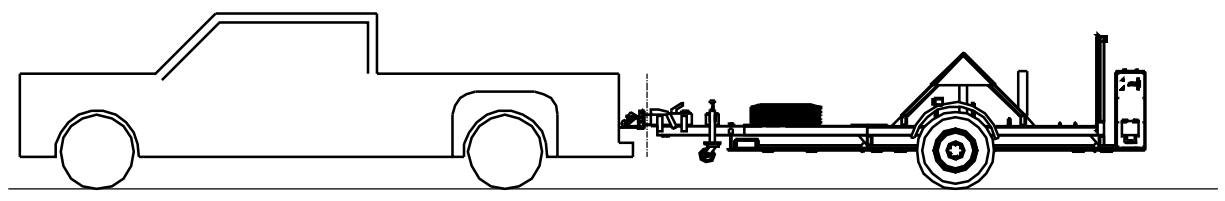
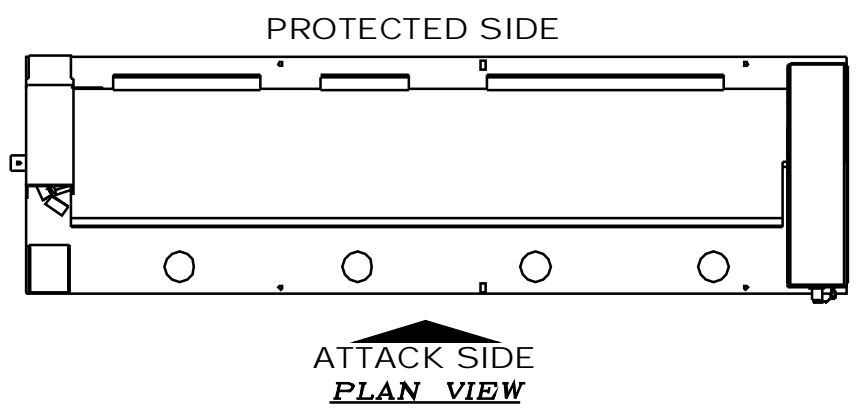
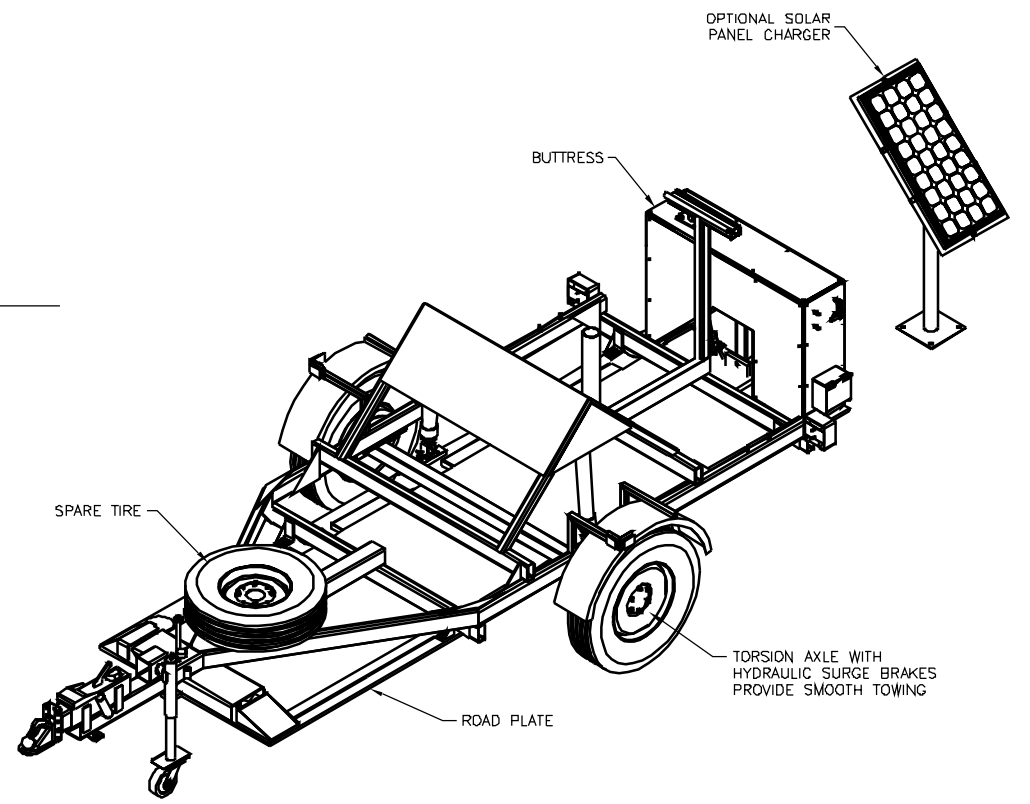


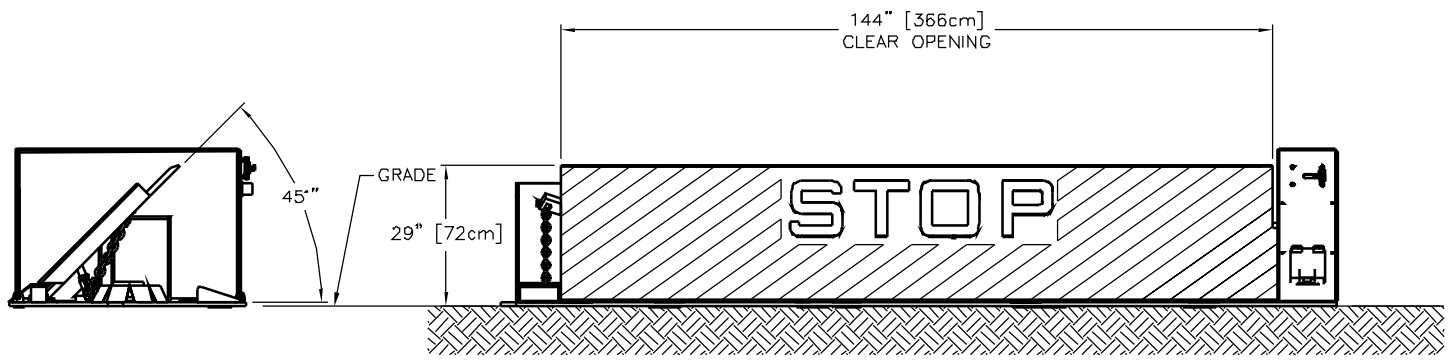
OPTIONS	PART NO.
HITCH BALL, 2-5/16"	2461-130
LUNETTE EYE, 3" (EU COMPLIANT)	2461-129
SOLAR PANEL ASSEMBLY	90593
CABLE KIT, 120 VOLTS, 60 Hz	9149-120
CABLE KIT, 220 VOLTS, 50 Hz	9149-220
REMOTE PUSH BUTTON STATION	MPL-4050-20'
TRAFFIC SIGNAL, DOWN L/S, MTC-26 (24")	B2050
FULLY DOWN LIMIT SWITCH (9056-3)	B2010
POST, SIGNAL LIGHT, 48" HIGH	MPL-20



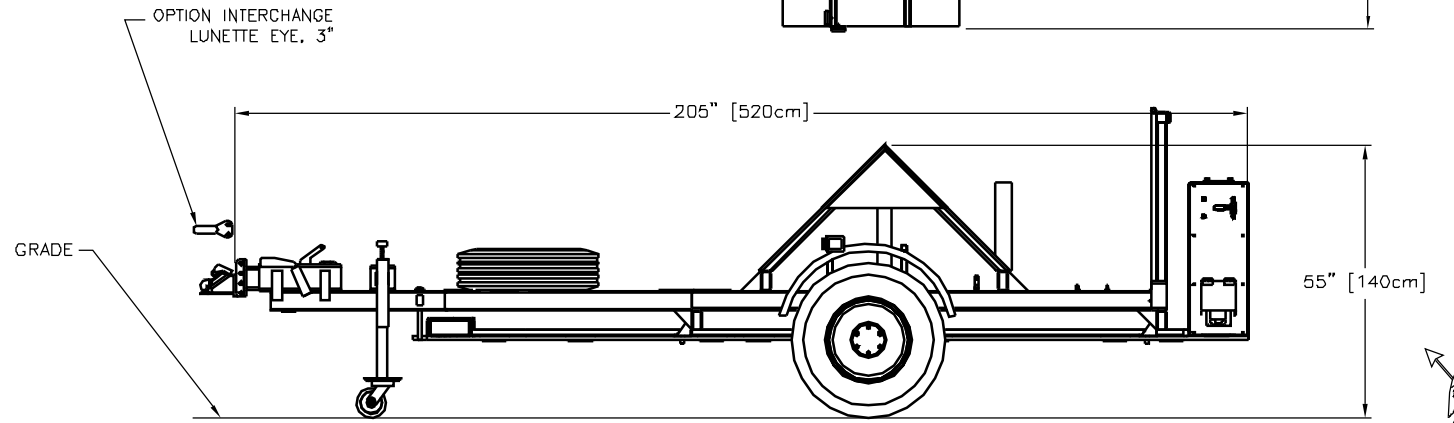
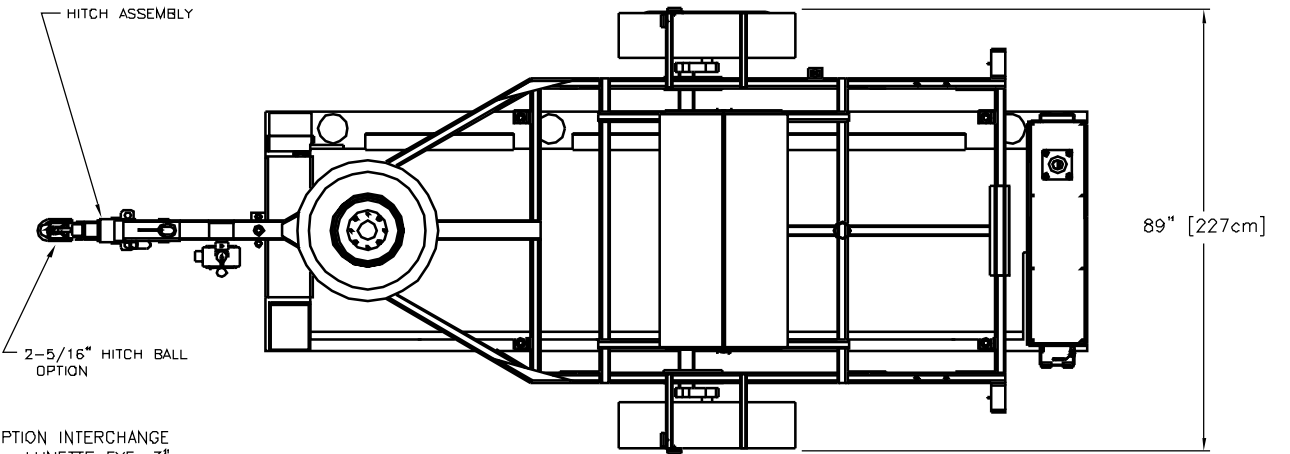
**TOW EXAMPLE**



**ATTACK SIDE  
PLAN VIEW**



**BARRIER RAISED**



**BARRIER MOUNTED ON TRAILER**

**DELTA SCIENTIFIC'S DSC1000  
PORTABLE CRASH RATED BARRIER**

THE DSC1000 PORTABLE BARRIER HAS PASSED AN ASTM CRASH TEST IN WHICH IT STOPPED A 5,000 - POUND (2300 kg) VEHICLE GOING 40 mph (80 kph), PROVIDING IT WITH A ASTM RATING OF P4.

DESCRIPTION	WEIGHTS	
BARRIER ONLY	4,320 LBS	1960 Kg
TRAILER ONLY	1,315 LBS	596 Kg
BARRIER W/TRAILER	5,635 LBS	2556 Kg
TONGUE @ 25" [64 cm] HIGH	148 LBS	67 Kg

A ECO 2008-097		JFW	8/29/08	
REV.	DESCRIPTION	DRWN BY	DATE	APPVD BY DATE
<small>THIS DRAWING UNLESS OTHERWISE NOTED, REMAINS THE CONFIDENTIAL PROPERTY AND TRADE SECRET OF DELTA SCIENTIFIC CORPORATION. IT SHALL NOT BE DISCLOSED, REPRODUCED OR USED FOR MANUFACTURE, DESIGN OR CONSTRUCTION WITHOUT THE EXPRESS AUTHORIZATION OF DELTA SCIENTIFIC CORPORATION. THE RECEIPT OF RECEIVING THIS DRAWING ASSUMES CUSTODY THEREOF AND UNDER THE ABOVE TERMS GRANTS NOT TO ALLOW USE OF IT BY UNAUTHORIZED PERSONS.</small>		<small>UNLESS OTHERWISE NOTED DIMENSIONS ARE IN INCHES</small> TOLERANCES .X = ± 0.060 .XX = ± 0.030 .XXX = ± 0.010 ANGLES = ± 5° SURFACE FINISH 125		<b>DELTA SCIENTIFIC CORPORATION</b> 40355 DELTA LANE PALMDALE, CA 93551 U.S.A. (861) 575-1100 FAX (861) 575-1109
<b>DSC1000 BARRIER GENERAL ARRANGEMENT</b>		DRWN BY D. MILLER	DATE 08/30/07	DRAWING NO. <b>90255</b>
<small>© 2007 ALL RIGHTS RESERVED</small>		APPVD BY	DATE	SCALE: 1:20 SHEET 1 OF 1

1. OPTION B2050 SELECT MTC-26, 24" HIGH BARRIER MOUNT OR MPL-20, 48" HIGH OFF BARRIER MOUNT.