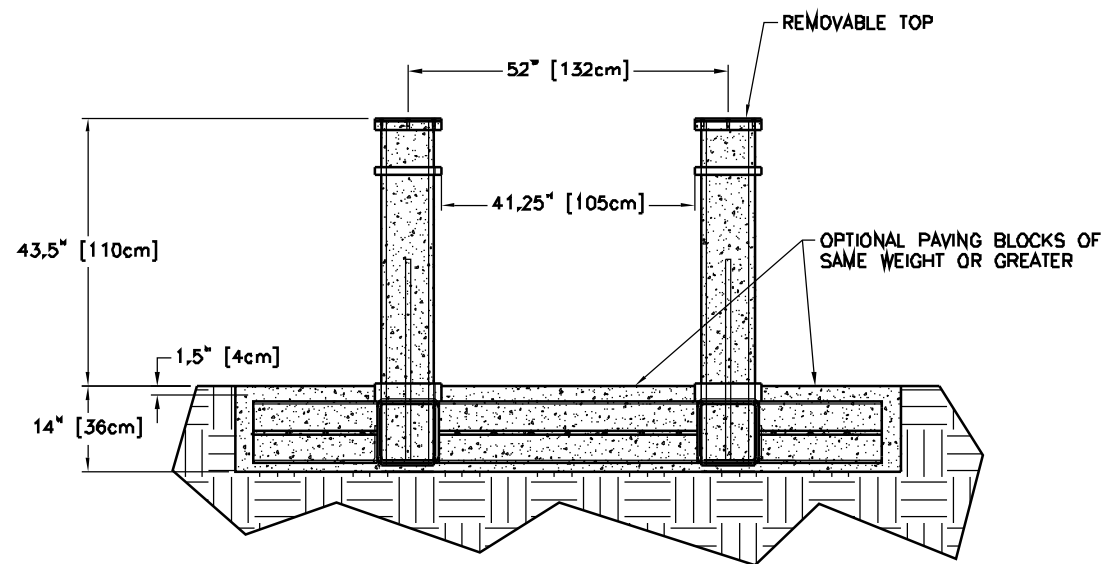
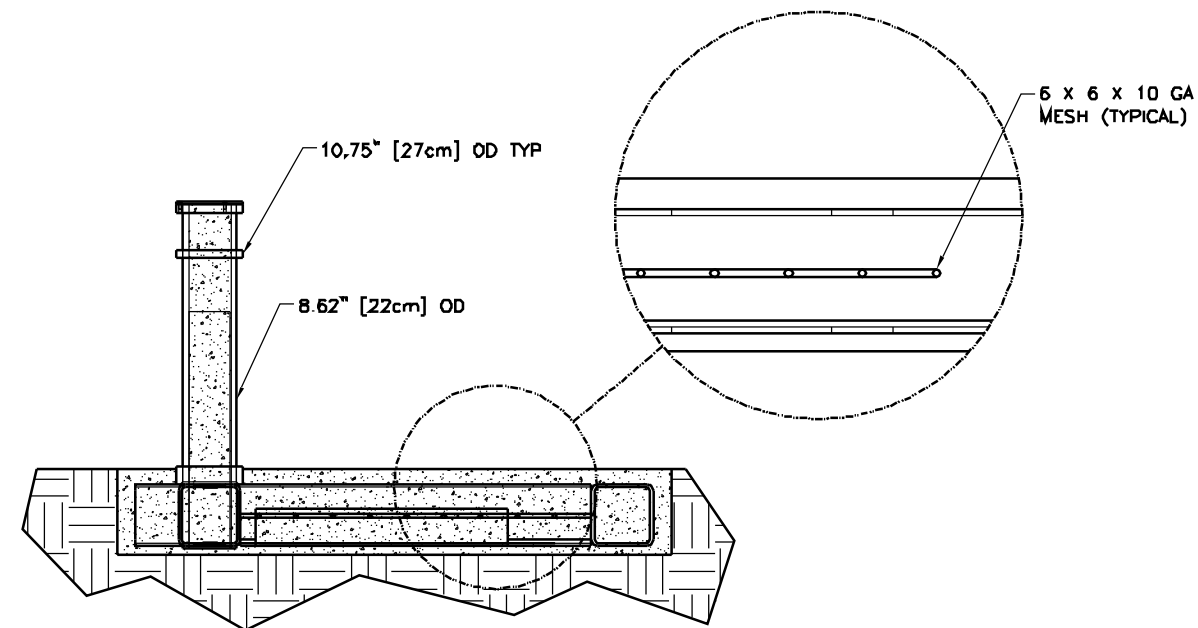


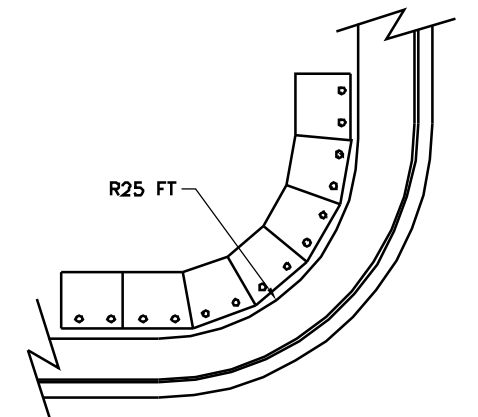
INCLINE ARRAY



SECTION A-A



SECTION B-B



CORNER ARRAY

<small>THE DRAWING UNLESS OTHERWISE NOTED, REMAINS THE CONFIDENTIAL PROPERTY AND TRADE SECRET OF DELTA SCIENTIFIC CORPORATION. IT SHALL NOT BE DISCLOSED, REPRODUCED OR USED FOR MANUFACTURE, DESIGN OR CONSTRUCTION WITHOUT THE EXPRESS AUTHORIZATION OF DELTA SCIENTIFIC CORPORATION. THE REPRODUCER BY ACCEPTING THIS DRAWING ASSUMES CUSTODY THEREOF AND UNDER THE ABOVE TERMS AGREES NOT TO ALLOW USE OF UNAUTHORIZED PERSONS.</small>	<small>UNLESS OTHERWISE NOTED DIMENSIONS ARE IN INCHES</small>	DELTA SCIENTIFIC CORPORATION 40355 DELTA LANE PALMDALE, CA 93551 U.S.A. (661) 575-1100 FAX (661) 575-1109		
	<small>TOLERANCES</small> .X = ±.060 .XX = ±.030 .XXX = ±.010 ANGLES = ±.5°	DRAWN BY: D. MILLER DATE: 08/06/07 CHRD BY: DATE:		DRAWING NO: 90476 REV: -
	<small>SURFACE FINISH</small> 125	APPROV BY: DATE:		SCALE: 1:16 SHEET 1 OF 1
	<small>REMOVE ALL BLURRS & BREAK SHARP EDGES .02 MAX</small>	<small>© 2007 ALL RIGHTS RESERVED</small>		