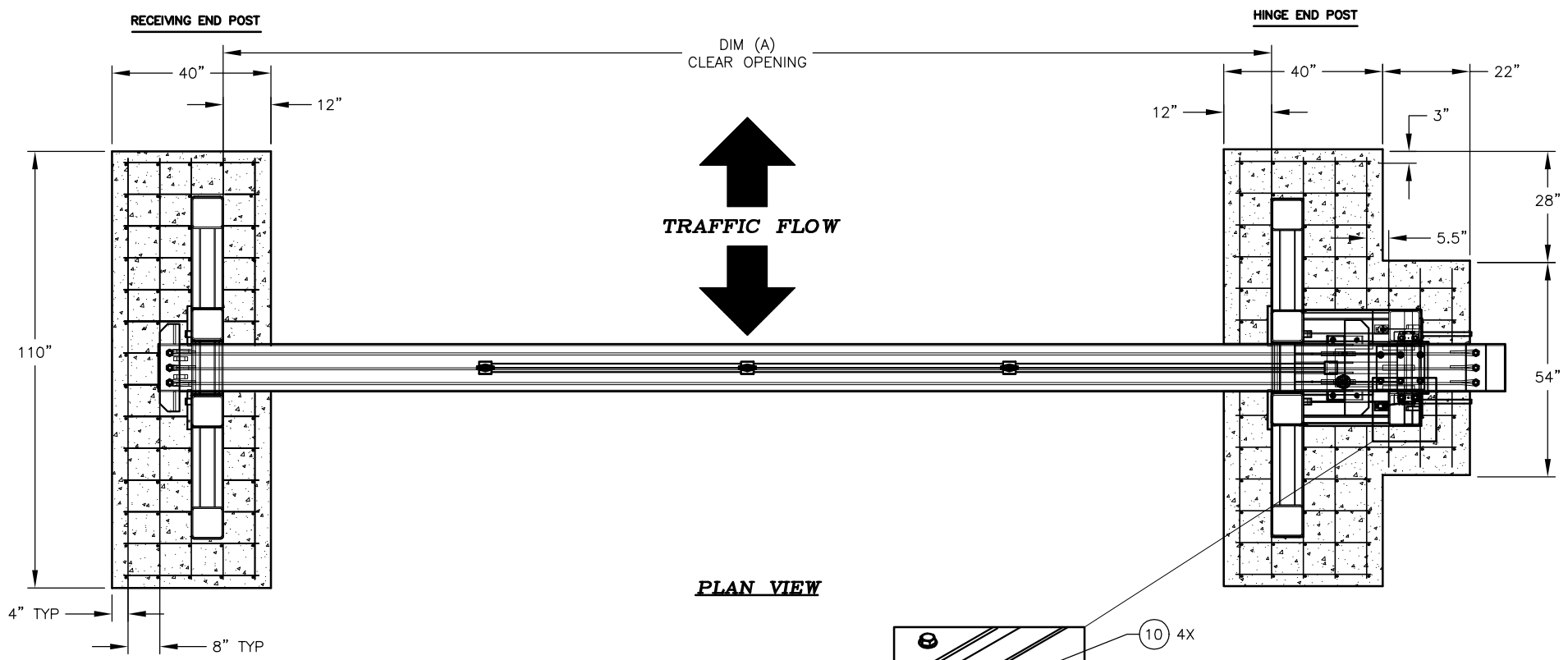
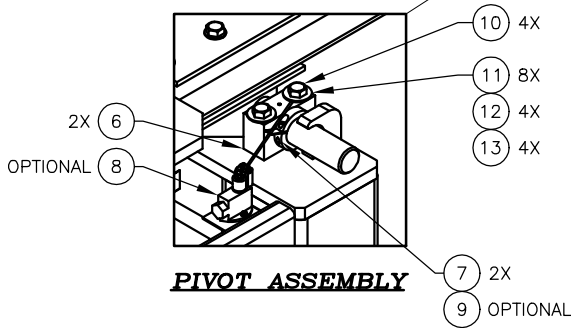


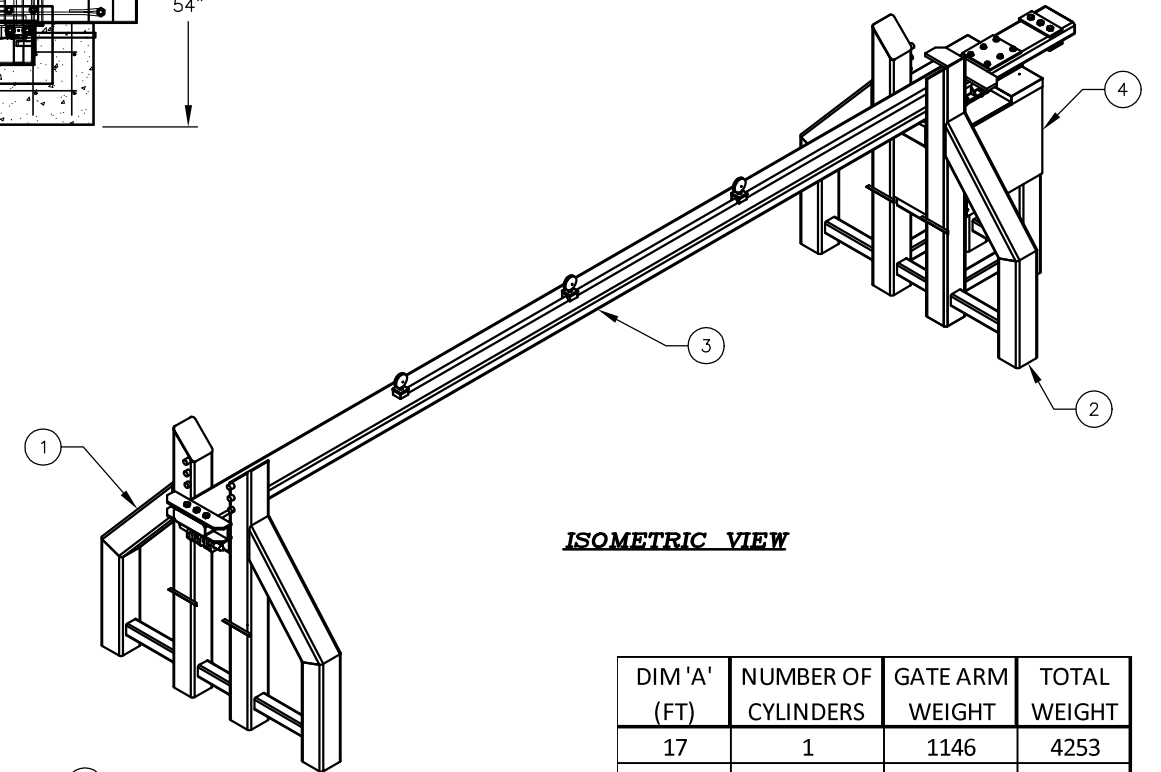
ITEM	REQ'D	DESCRIPTION/MATERIAL	WT EA	TOT WT	REF NO
1	1	RECEIVING BUTTRESS	1,201.0	1,201.0	13325
2	1	HINGE BUTTRESS	1,862.0	1,862.0	13318
3	1	GATE ARM ASSEMBLY	-	SEE TABLE	13329
4	1	BUTTRESS COVER, ONE PAIR	-	-	13367
5	0 OR 1	B4030 FLASHING LIGHT KIT	-	-	13365
6	2	BEARING BLOCK	8.7	17.4	13363
7	2	SHAFT COLLAR, TWO PIECE	-	-	2465-198
8	0 TO 2	LIMIT SWITCH, OPTIONAL	-	-	2465-29
9	0 TO 2	LIMIT SWITCH TAB	-	-	13366
10	4	BOLT, 3/4"-16 X 5" LONG (GRADE 8)	0.7	2.8	HHC34165
11	8	FLAT WASHER, 3/4" SAE	0.0	0.3	WAS34SAE
12	4	SPLIT LOCKING WASHER, 3/4"	0.0	0.2	WAS34SL
13	4	NUT, 3/4"-16	0.1	0.4	NUT3416
14	1 OR 2	HYDRAULIC CYLINDER, XX" DIA X 18" STROKE	15.0	SEE TABLE	8292-XXX
15	1	CLOSED LOCKING PIN	8.5	8.5	11373
16	1	OPEN LOCKING PIN	6.0	6.0	13727
TOTAL WEIGHT:			3,098.6		



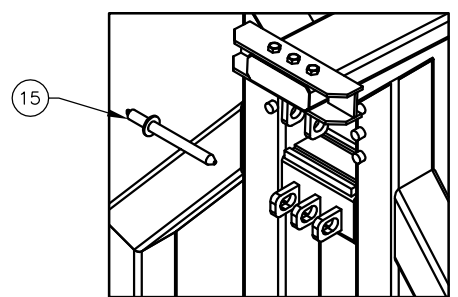
PLAN VIEW



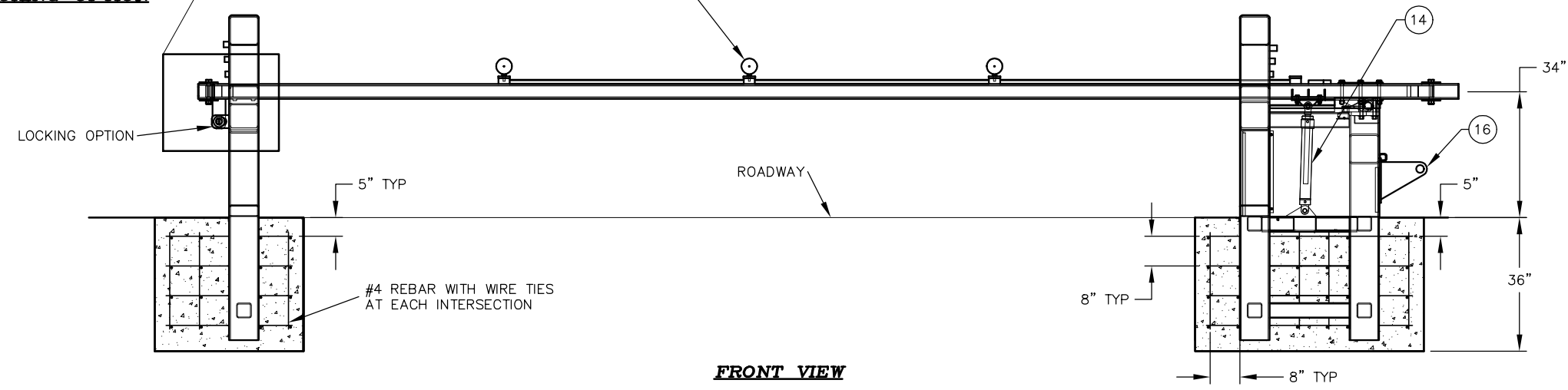
PIVOT ASSEMBLY



ISOMETRIC VIEW



LOCKING OPTION



FRONT VIEW

DIM 'A' (FT)	NUMBER OF CYLINDERS	GATE ARM WEIGHT	TOTAL WEIGHT
17	1	1146	4253
18	1	1184	4291
19	1	1223	4330
20	1	1262	4369
21	1	1300	4407
22	2	1339	4461
23	2	1378	4500
24	2	1416	4538

F ECO 2013-025		J.P.H.	6/22/13
<small>THIS DRAWING UNLESS OTHERWISE NOTED, REMAINS THE CONFIDENTIAL PROPERTY AND TRADE SECRET OF DELTA SCIENTIFIC CORPORATION. IT SHALL NOT BE DISCLOSED, REPRODUCED OR USED FOR MANUFACTURE, DESIGN OR CONSTRUCTION WITHOUT THE EXPRESS AUTHORIZATION OF DELTA SCIENTIFIC CORPORATION. THE RECIPIENT BY ACCEPTING THIS DRAWING, ASSUMES CUSTODY THEREOF AND UNDER THE ABOVE TERMS AGREES NOT TO ALLOW USE OF BY UNAUTHORIZED PERSONS.</small>			
<small>UNLESS OTHERWISE NOTED DIMENSIONS ARE IN INCHES</small>		DELTA SCIENTIFIC CORPORATION <small>40355 DELTA LANE PALMDALE, CA 93551 U.S.A. (661) 575-1100 FAX (661) 575-1109</small>	
<small>TOLERANCES .X = ±.060/FT .XX = ±.030/FT .XXX = ±.010/FT ANGLES = ±.5°</small>		DSC7000(H) GENERAL ARRANGEMENT 17-24FT CLEAR OPENING	
<small>SURFACE FINISH 125</small>	<small>REMOVE ALL BURRS & BREAK SHARP EDGES .02 MAX</small>	<small>DRWN BY J. STAGGS</small>	<small>DATE 3/4/11</small>
<small>APPVD BY</small>	<small>DATE</small>	<small>DRAWING NO. 90276</small>	<small>REV. F</small>
<small>SCALE: NTS</small>	<small>SHEET 1 OF 1</small>		