

PLAN VIEW - DOWN POSITION

ACCESS BOX FOR HYDRAULIC LINE FEED & ELECTRICAL (LIMIT SWITCH, HEATERS & FRONT FACE LIGHTS) MAY BE MOUNTED EITHER SIDE (HYD. DUCTS 4" [101mm] AND TWO 1" [25mm] KNOCK OUTS EACH FACE).

RAM HAS (2) 3/4" THREADED ATTACHMENT POINTS FOR LIFTING. THE ATTACHMENT MEANS BETWEEN THE BARRIER RAMP AND THE LIFTING GEAR MUST BE SIZED OR DESIGNED TO TAKE INTO CONSIDERATION BOTH VERTICAL LIFTING AS WELL AS SIDE LOADING CONDITIONS. THE USE OF PROPERLY SIZED SPREADER BARS OR DUAL VERTICAL LIFTS ARE RECOMMENDED.

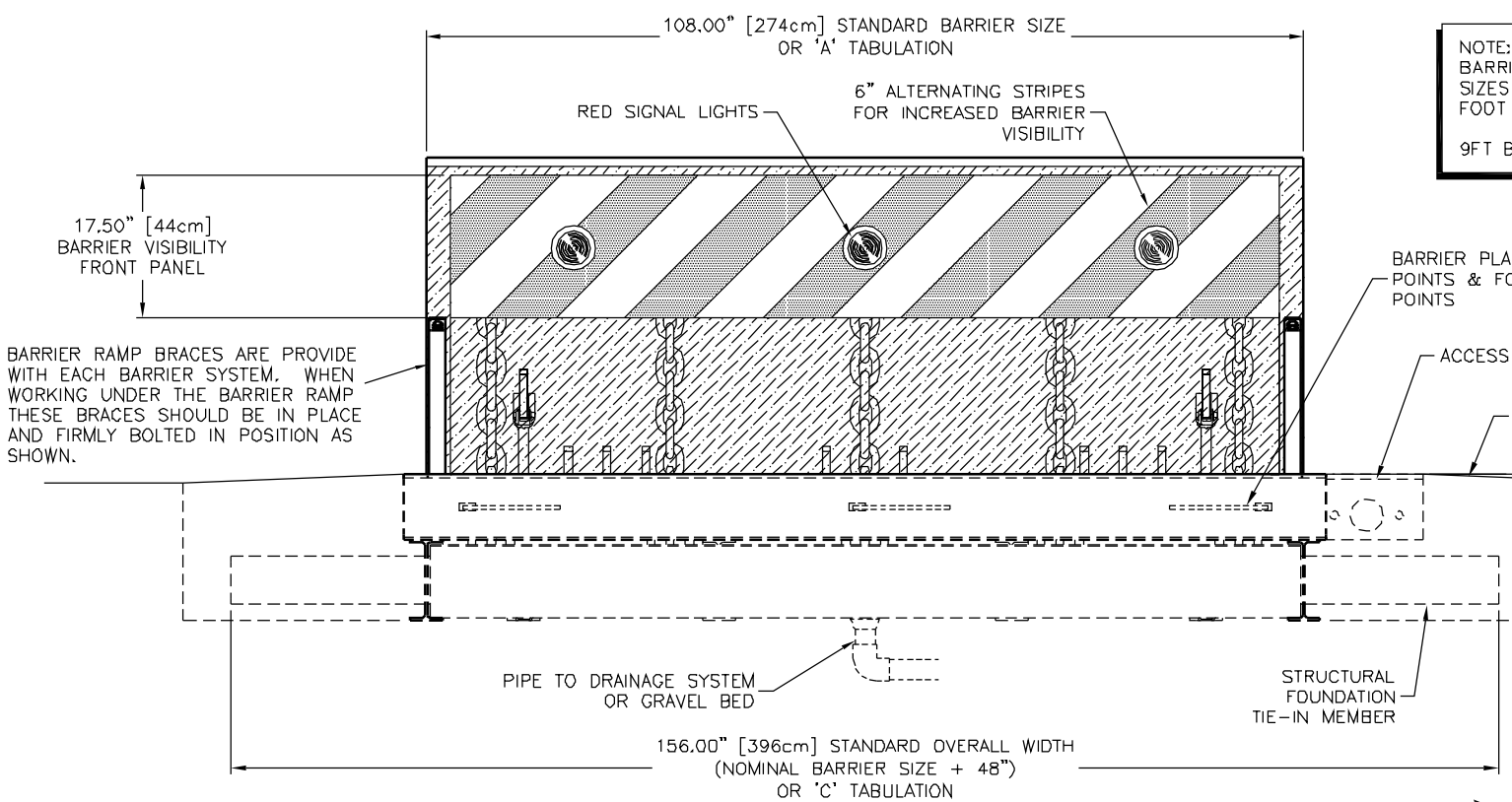
NOTES:

- OPTIONAL FEATURES (PARTIAL)

		PART NO.
(A)	HEATER, 1400 WATTS @ 120 VOLTS	B1293
(A)	HEATER, 1400 WATTS @ 240 VOLTS	B1294
(B)	LIMIT SWITCH, FULLY DOWN	B2005
(C)	LIMIT SWITCH, FULLY UP	B2006
(D)	HOT-DIP GALVANIZING PRIOR TO PAINTING	
- COLOR OPTIONS:
 WHITE W/6" WIDE YELLOW STRIPES
 BLACK W/6" WIDE YELLOW STRIPES
 WHITE W/6" WIDE RED STRIPES

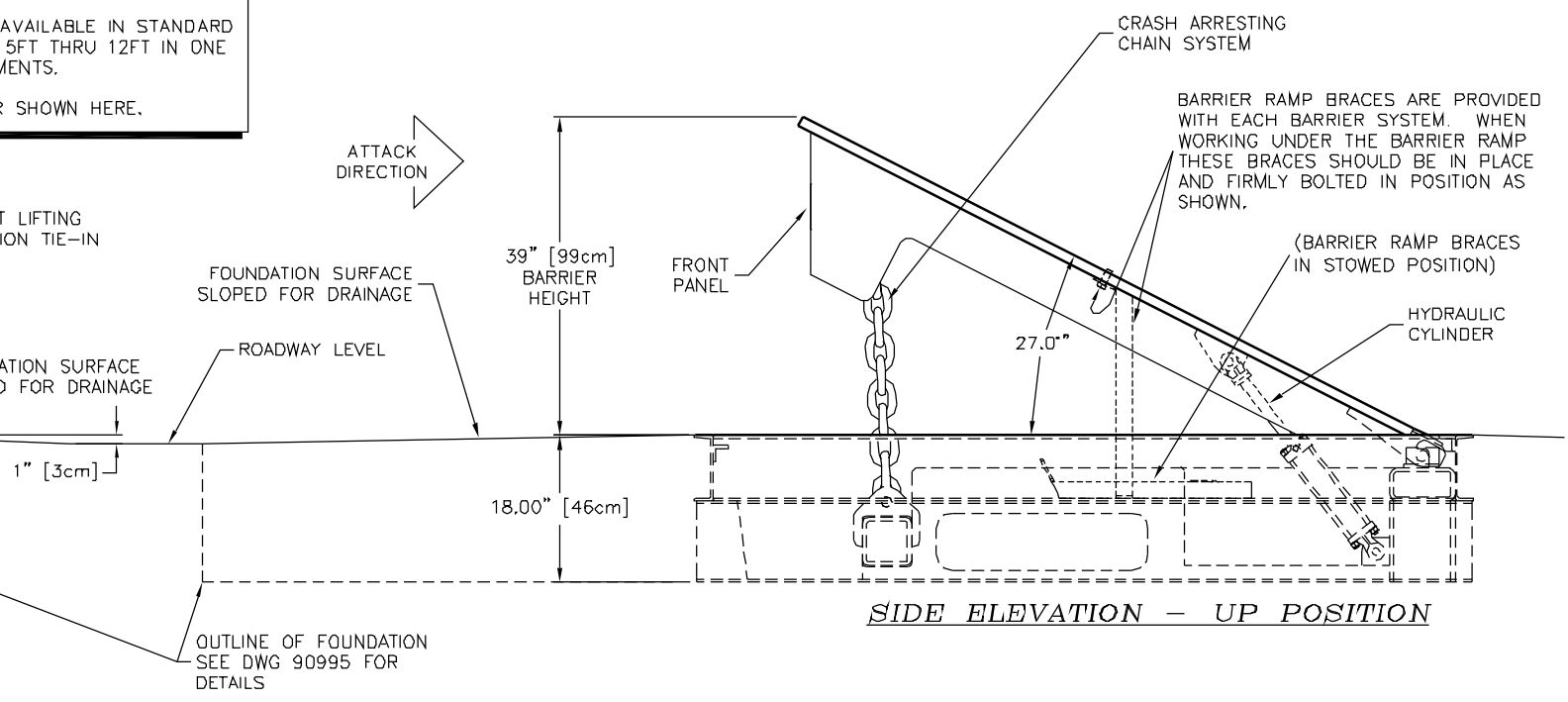
 FOUNDATION - ASBESTOS FREE ASPHALT EMULSION UNDERCOAT.
- ALL STEEL MEMBERS PER AISC STANDARDS WELDING DESIGN CRITERIA AWS D1.1, LATEST REVISION.
- ALL MILD STEEL COMPONENTS SANDBLASTED TO NEAR WHITE METAL AFTER FABRICATION AND PRIOR TO COATING.

NOMINAL BARRIER SIZE (ft)	'A' WIDTH (in)	'A' WIDTH (cm)	'B' WIDTH (in)	'B' WIDTH (cm)	'C' WIDTH (in)	'C' WIDTH (cm)	TOTAL WEIGHT (lbs)	TOTAL WEIGHT (kg)
5	60	152	65.5	166	108	274	3893	1766
6	72	183	77.5	197	120	305	4407	1999
7	84	213	89.5	227	132	335	4921	2232
8	96	244	101.5	258	144	366	5397	2448
9	108	274	113.5	288	156	396	5910	2681
10	120	305	125.5	319	168	427	6424	2914
11	132	335	137.5	349	180	457	6938	3147
12	144	366	149.5	380	192	488	7452	3380
13	156	396	161.5	410	204	518	7966	3613
14	168	427	173.5	441	216	549	8441	3829
15	180	457	185.5	471	228	579	8955	4062
16	192	488	197.5	502	240	610	9469	4295



FRONT ELEVATION - UP POSITION

NOTE: BARRIER IS AVAILABLE IN STANDARD SIZES FROM 5FT THRU 12FT IN ONE FOOT INCREMENTS. 9FT BARRIER SHOWN HERE.



SIDE ELEVATION - UP POSITION

REV.	DESCRIPTION	DRWN BY	DATE	APPVD BY	DATE
G	ECO 2009-134	DCM	07/23/09		
F	ECO 2008-087	DCM	08/08/08		
E	ECO 2005-190	MD	12/16/05		
D	ECO 2004-252	J.M.	12/7/04		
C	ECO 2004-105	J.N.F.	06/03/04		
B	REVISED AS TESTED	T.S.	2/25/2001		
A	PRODUCT REDESIGN & REDESIGNATION	T.S.	1/18/2001		

UNLESS OTHERWISE NOTED DIMENSIONS ARE IN INCHES

TOLERANCES
 .X = ± 0.060/FT
 .XX = ± 0.030/FT
 .XXX = ± 0.010/FT
 ANGLES = ± .5°

SURFACE FINISH
 125

REMOVE ALL BURRS & BREAK SHARP EDGES .02 MAX

© 1996 ALL RIGHTS RESERVED

DELTA SCIENTIFIC CORPORATION
 40355 DELTA LANE
 PALMDALE, CA 93551 U.S.A.
 (661) 375-1100 FAX (661) 375-1109

MODEL DSC501 PHALANX BARRIER
GENERAL ARRANGEMENT

DRWN BY: T. SFORZA DATE: 01/18/01 DRAWING NO.: 90095 REV.: G
 CHKD BY: DATE: APPVD BY: DATE: SCALE: 1:12 (D SIZE) SHEET: 1 OF 1

