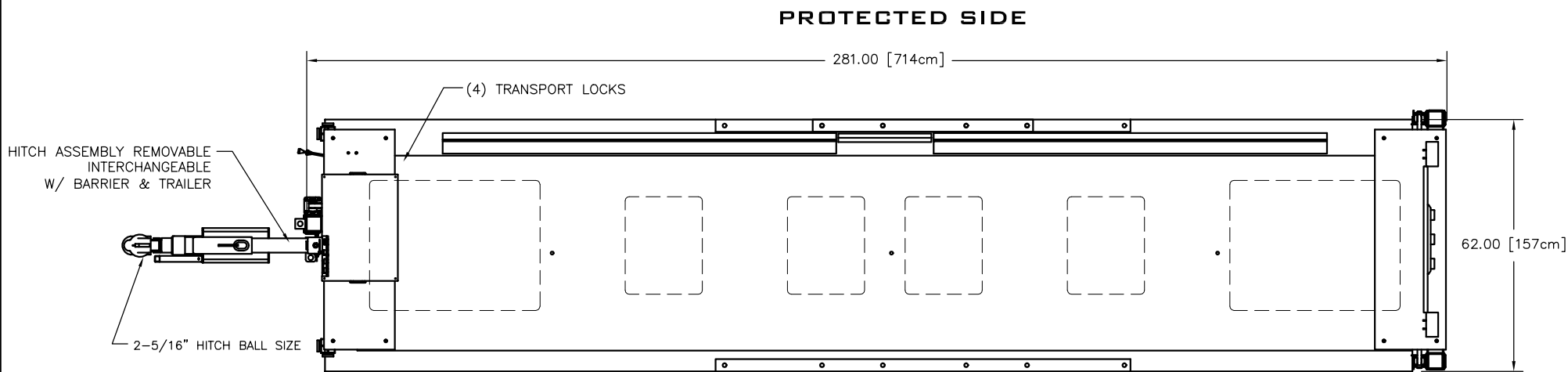
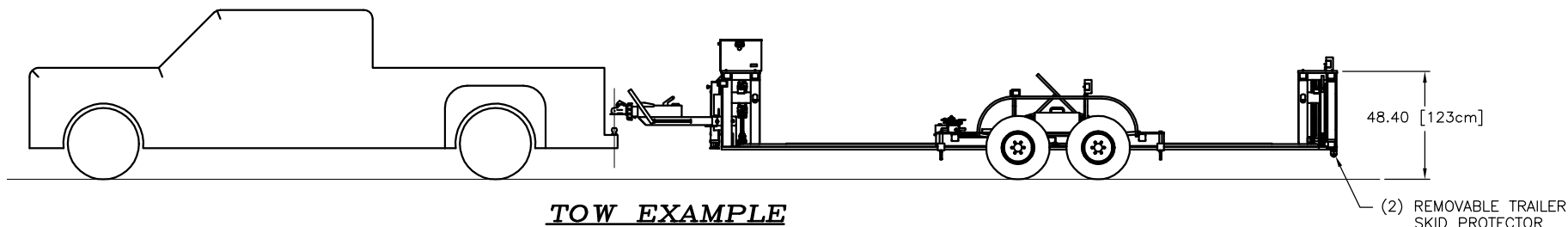
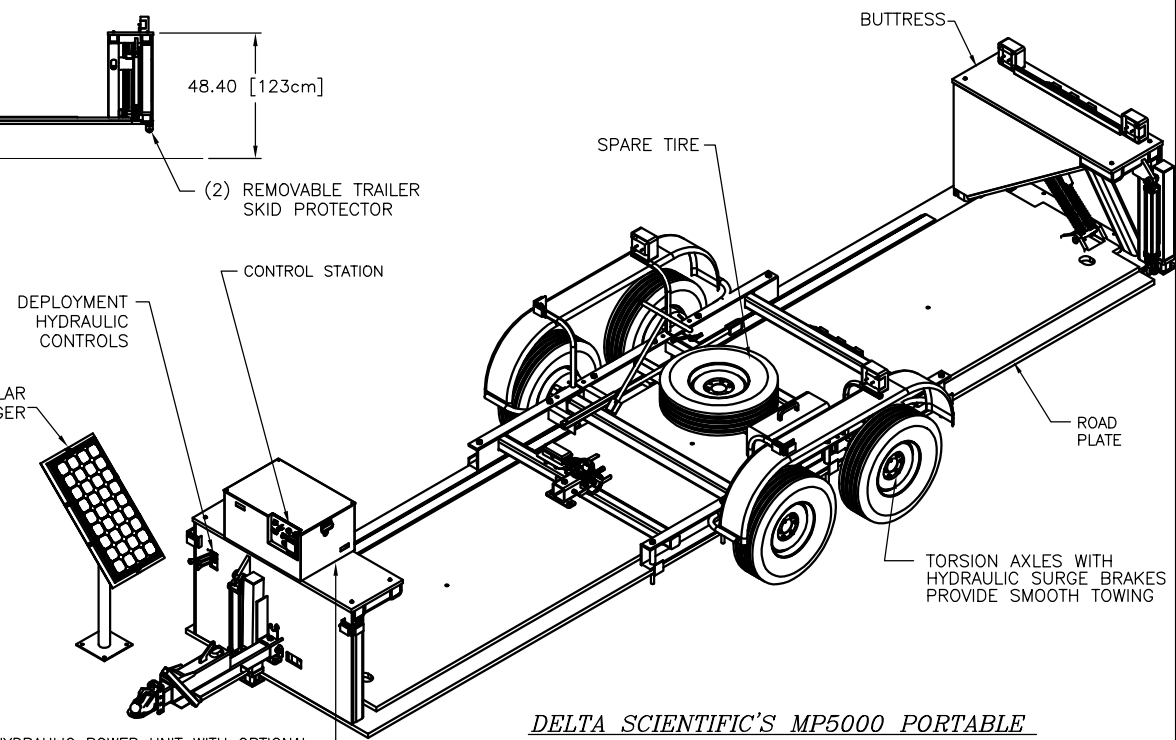
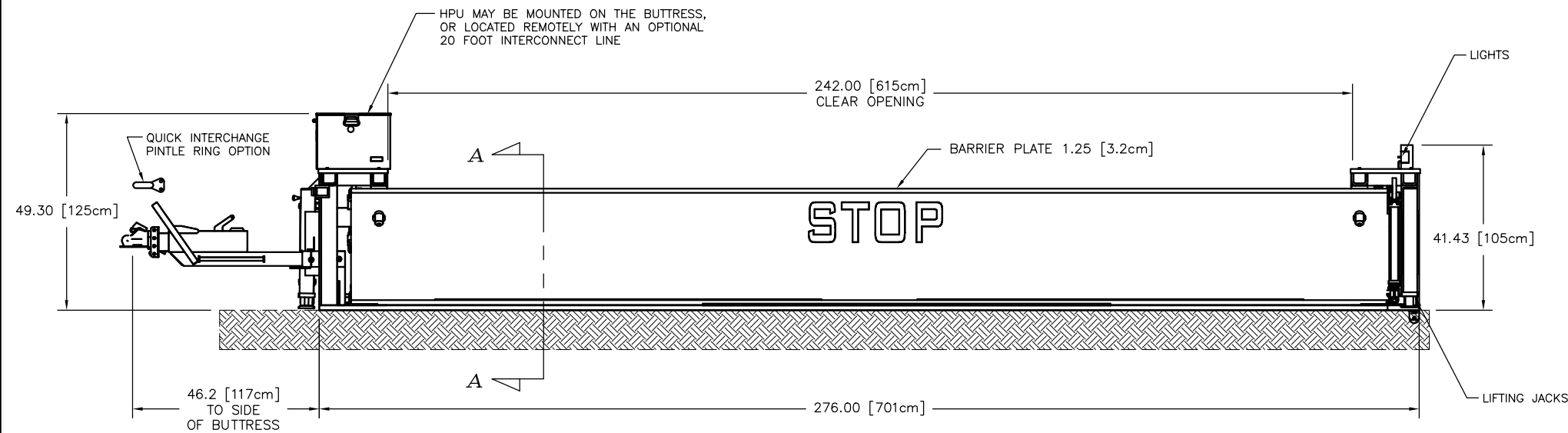


OPTIONS	PART NO.
HITCH BALL, 2-5/16"	2461-130
LUNETTE EYE, 3" (EU COMPLIANT)	2461-129
SOLAR PANEL ASSEMBLY	90593
CABLE KIT, 120 VOLTS, 60 Hz	9149-120
CABLE KIT, 220 VOLTS, 50 Hz	9149-220
TURN TABLE, BARRIER	9251
TURN TABLE ADAPTER	13520
REMOTE PUSH BUTTON STATION	MPL-4050-20'
TRAFFIC SIGNAL, DOWN L/S, MTC-26 (24")	B2050
FULLY DOWN LIMIT SWITCH (9056-3)	B2010
POST, SIGNAL LIGHT, 48" HIGH	MPL-20



**ATTACK SIDE  
PLAN VIEW**



**DELTA SCIENTIFIC'S MP5000 PORTABLE  
CRASH RATED BARRIER**

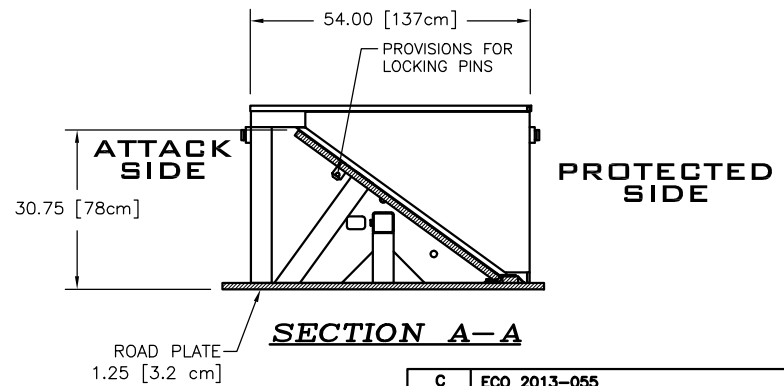
THIS BARRIER SYSTEM CAN BE SITED ON EXISTING CONCRETE OR ASPHALT ROADWAYS OR VERGES; LEVEL COMPACTED SOILS OR SOME COMBINATION OF THESE. NO EXCAVATION OR SUB-SURFACE PREPARATION IS REQUIRED.

THE MP5000 IS A PHALANX TYPE BARRIER RAMP TOTALLY SELF CONTAINED WITH FREE PASSAGE BETWEEN BUTTRISSES OF 20 FT. (240IN.). LOW PROFILE FREE TRAFFIC FLOW BARRICADE RAMP.

THE BARRICADE IS DEPLOYED AFTER BEING TOWED TO THE SITE AND THEN LOWERED INTO POSITION BY MEANS OF HYDRAULIC JACKS. IT IS RETRIEVED BY LIFTING THE BARRIER TO THE 'TOW' POSITION USING THE SAME HYDRAULIC JACKS. NO HAND CRANKING REQUIRED. ONCE SITED THE WHEELS ARE STORED, COMPLETING THE DEPLOYMENT. ESTIMATED DEPLOYMENT TIME - LESS THAN 15 MINUTES.

BOTH THE OPERATION OF THE BARRIER AS WELL THE INITIAL DEPLOYMENT (AND RETRIEVAL) IS PUSH BUTTON CONTROLLED. THE STANDARD SYSTEM HAS A BATTERY OPERATED HYDRAULIC POWER UNIT, REPLENISHED FROM EITHER A SOLAR ARRAY OR FROM LOCAL LOW VOLTAGE SOURCES.

OPTIONALLY A DELTA HYDRAULIC POWER UNIT OPERATED ON LOCALLY SUPPLIED POWER OR A FULL MANUAL SYSTEM, OR COMBINATION THEREOF IS AVAILABLE. BOTH THE LOCALLY POWERED AND THE BATTERY POWERED HYDRAULIC PUMPING UNIT CAN BE SIZED TO PROVIDE PASS-THROUGH RATES SUITABLE FOR MOST INSPECTION AND IDENTIFICATION STATION REQUIREMENTS.



REV.	DESCRIPTION	DRWN BY	DATE	APPVD BY	DATE
C	ECO 2013-055	J. MANOR	11/4/2013	J.M.	01/24/12
B	ECO 2011-129	J. MANOR	01/13/12	J.M.	01/24/12
A	ECO 2011-059	J. MANOR	5/3/11	J.M.	01/24/12

<small>THIS DRAWING UNLESS OTHERWISE NOTED, REMAINS THE CONFIDENTIAL PROPERTY AND TRADE SECRET OF DELTA SCIENTIFIC CORPORATION. IT SHALL NOT BE DISCLOSED, REPRODUCED OR USED FOR MANUFACTURE, DESIGN OR CONSTRUCTION WITHOUT THE EXPRESS AUTHORIZATION OF DELTA SCIENTIFIC CORPORATION. THE SIGNATURE OF THE DRAWING ENGINEER UNDER THE ABOVE TERMS AGREES NOT TO ALLOW USE OF BY UNAUTHORIZED PERSONS.</small>		<small>UNLESS OTHERWISE NOTED DIMENSIONS ARE IN INCHES</small>		<b>DELTA SCIENTIFIC CORPORATION</b> 40355 DELTA LANE PALMDALE, CA 93551 U.S.A. (661) 575-1100 FAX (661) 575-1109	
<b>DESCRIPTION</b>		<b>WEIGHTS</b>		<b>DELTA</b>	
BARRIER ONLY	13,371 lbs 6,065 kg	TOLERANCES .X = ±.250/FT .XX = ±.125/FT .XXX = ±.063/FT		<b>MP5000 20' PORTABLE ROADWAY BARRIER GENERAL ARRANGEMENT</b>	
TRAILER ONLY	1,410 lbs 640 kg	DRWN BY: J. MANOR DATE: 1/4/11		DRAWING NO. 90122	
BARRIER W/TRAILER	14,781 lbs 6,705 kg	CHKD BY: DATE:		REV. C	
NOTES: 1. OPTION B2050 SELECT MTC-26, 24" HIGH BARRIER MOUNT OR MPL-20, 48" HIGH OFF BARRIER MOUNT.		APPVD BY: DATE:		SCALE: N.T.S. SHEET 1 OF 2	

DESCRIPTION	WEIGHTS
BARRIER ONLY	13,371 lbs 6,065 kg
TRAILER ONLY	1,410 lbs 640 kg
BARRIER W/TRAILER	14,781 lbs 6,705 kg

NOTES: 1. OPTION B2050 SELECT MTC-26, 24" HIGH BARRIER MOUNT OR MPL-20, 48" HIGH OFF BARRIER MOUNT.