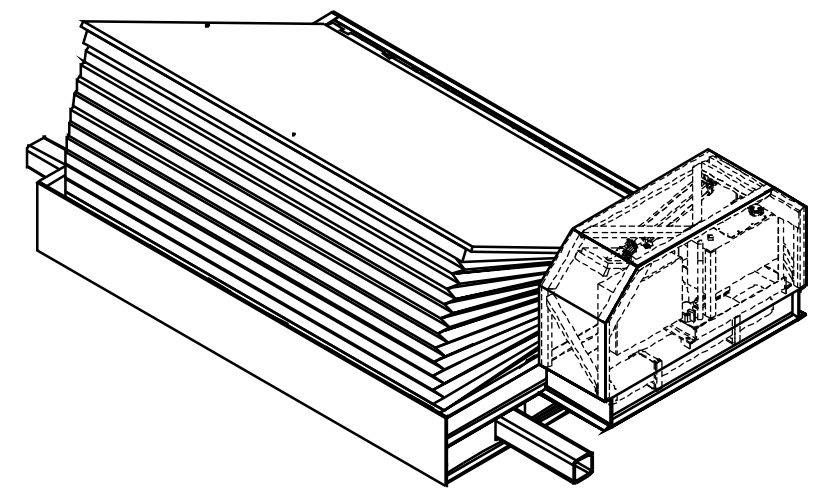
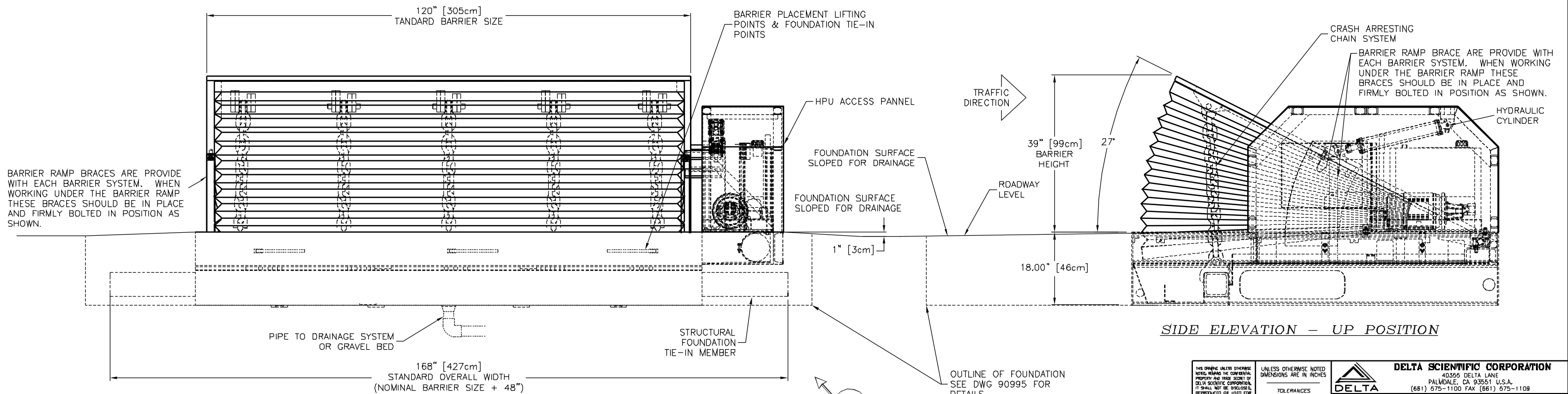


PLAN VIEW - DOWN POSITION



ISOMETRIC VIEW



FRONT ELEVATION - UP POSITION

SIDE ELEVATION - UP POSITION



<small>THIS DRAWING UNLESS OTHERWISE NOTED REMAINS THE CONFIDENTIAL PROPERTY AND TRADE SECRET OF DELTA SCIENTIFIC CORPORATION. IT SHALL NOT BE DISCLOSED, REPRODUCED OR USED FOR MANUFACTURE, DESIGN OR CONSTRUCTION WITHOUT THE EXPRESS AUTHORIZATION OF DELTA SCIENTIFIC CORPORATION. THE HEREIN BY ASSUMING THE DRAWING, ASSUMES CUSTODY THEREOF AND UNDER THE ABOVE TERMS AGREES NOT TO ALLOW USE OF BY UNAUTHORIZED PERSONS.</small>	<small>UNLESS OTHERWISE NOTED DIMENSIONS ARE IN INCHES</small>	DELTA SCIENTIFIC CORPORATION 40355 DELTA LANE PALMDALE, CA 93551 U.S.A. (661) 675-1100 FAX (661) 675-1109	
		MODEL DSC501MB PHALANX BARRIER GENERAL ARRANGEMENT	
<small>TOLERANCES</small> X = ±.060/FT .XX = ±.030/FT .XXX = ±.010/FT ANGLES = ±.5°	<small>SURFACE FINISH</small> 125	<small>REMOVE ALL BURRS & BREAK SHARP EDGES .02 MAX</small>	<small>DELTA</small>
<small>DRWN BY</small> J. MANDR	<small>DATE</small> 12/19/08	<small>DRAWING NO.</small> 90095MB	<small>REV.</small> -
<small>CHKD BY</small>	<small>DATE</small>	<small>SCALE:</small> 1:12 (D SIZE)	<small>SHEET</small> 1 OF 1
<small>APPRVD BY</small>	<small>DATE</small>	<small>SCALE:</small>	<small>SHEET</small>