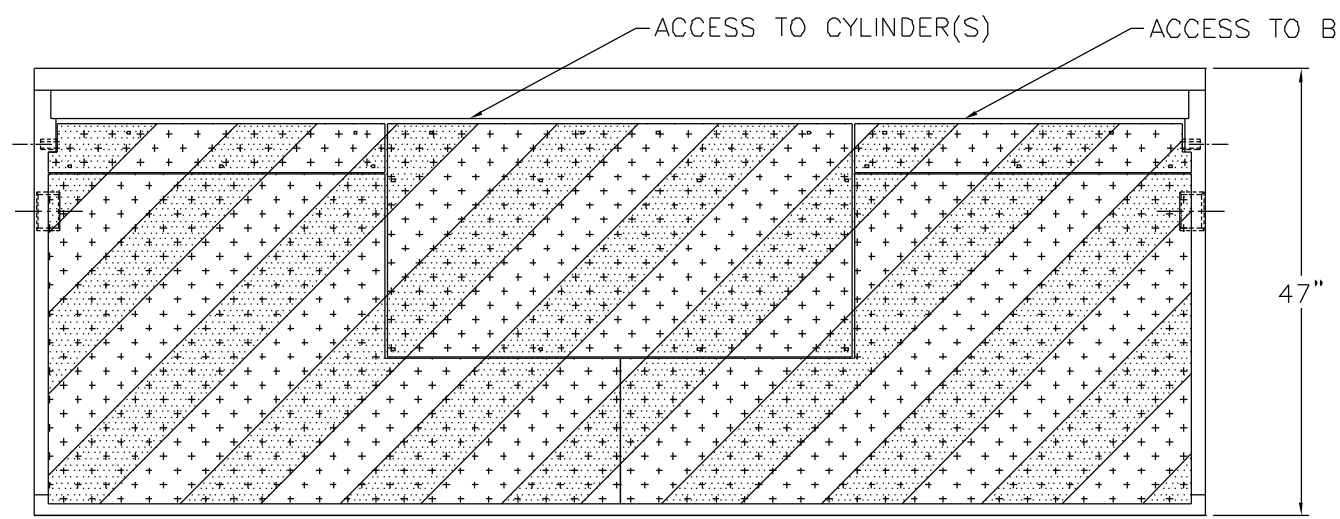
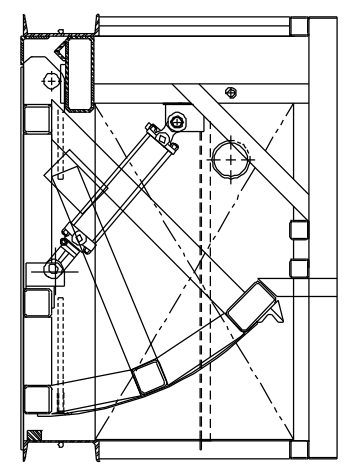


| ITEM | QUAN. | DESCRIPTION                    | STOCK NO. |
|------|-------|--------------------------------|-----------|
| 1    | 1     | FRAME ASSEMBLY                 | 7564-00   |
| 2    | 1     | RAMP ASSEMBLY                  | 7565-00   |
| 3    | 1     | CYLINDER, HYDRAULIC, 2.5" X 8" | 2468-03   |



*PLAN VIEW*

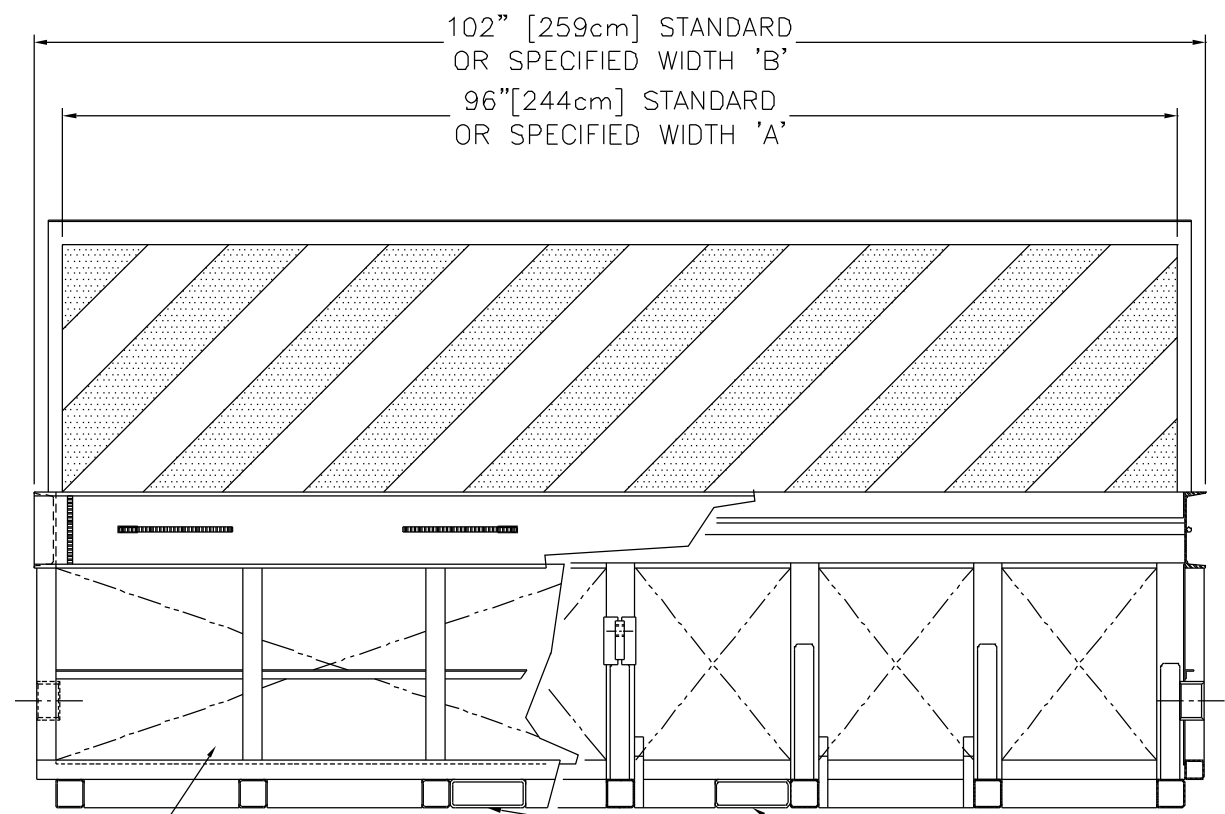


*SECTION  
(WHEN LOWERED)*

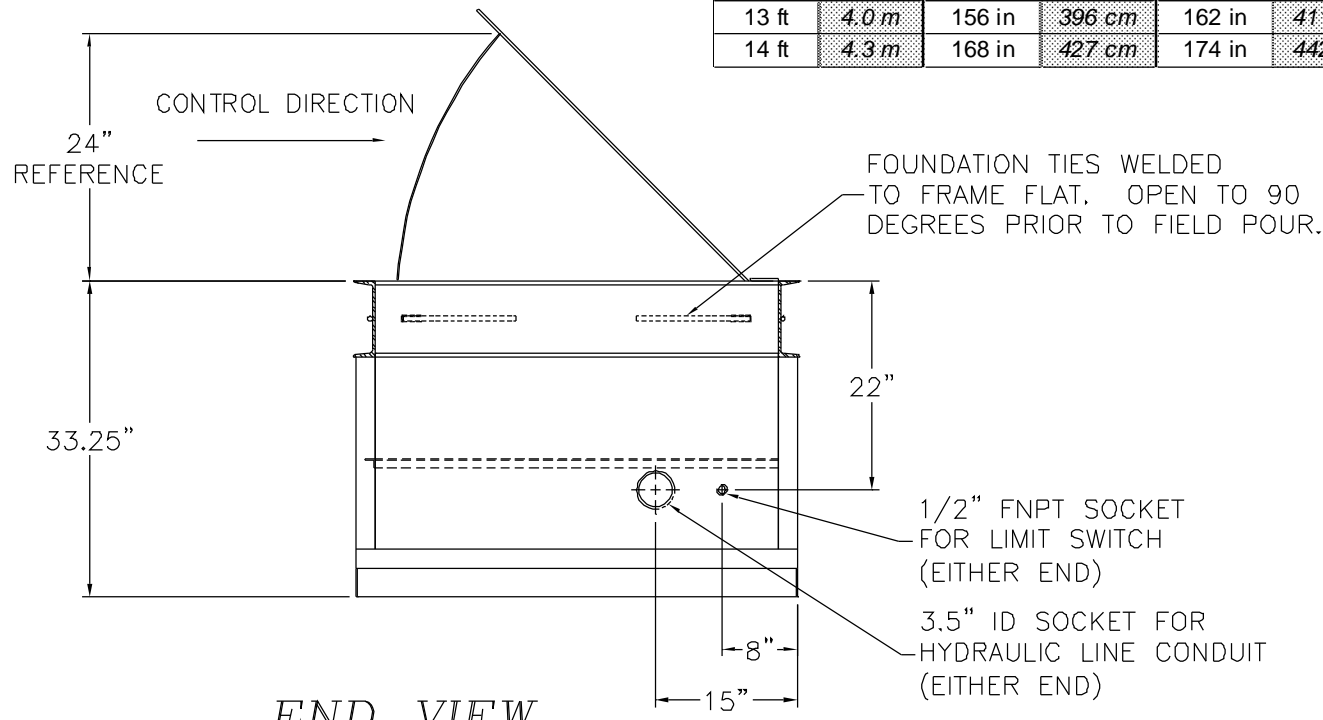
NOTES:

- OPTIONAL FEATURES INCLUDE

|                                    | PART NO. |
|------------------------------------|----------|
| (A) HEATER, 1400 WATTS @ 120 VOLTS | B1289    |
| (A) HEATER, 1400 WATTS @ 240 VOLTS | B1292    |
| (B) LIMIT SWITCH, FULLY DOWN       | B2005    |
| (C) LIMIT SWITCH, FULLY UP         | B2006    |
- REFERENCE DRAWING D02633 FOR COLOR OPTIONS:  
D02633-3 WHITE W/6" WIDE YELLOW STRIPES  
D02633-4 YELLOW W/6" WIDE BLACK STRIPES  
D02633-5 WHITE W/6" WIDE RED STRIPES
- ALL STEEL MEMBERS PER AISC STANDARDS  
WELDING DESIGN CRITERIA AWS D1.1, LATEST REVISION.
- ALL MILD STEEL COMPONENTS SANDBLASTED TO NEAR  
WHITE METAL AFTER FABRICATION AND PRIOR TO COATING.



*FRONT ELEVATION*



*END VIEW*

| NOMINAL BARRIER SIZE |       | DIM "A" |        | DIM "B" |        | APPROX. WEIGHT |          |
|----------------------|-------|---------|--------|---------|--------|----------------|----------|
| 7 ft                 | 2.1 m | 84 in   | 213 cm | 90 in   | 229 cm | 2,260 lbs      | 1,030 kg |
| 8 ft                 | 2.4 m | 96 in   | 244 cm | 102 in  | 259 cm | 2,500 lbs      | 1,130 kg |
| 9 ft                 | 2.7 m | 108 in  | 274 cm | 114 in  | 290 cm | 2,740 lbs      | 1,240 kg |
| 10 ft                | 3.0 m | 120 in  | 305 cm | 126 in  | 320 cm | 2,980 lbs      | 1,350 kg |
| 11 ft                | 3.4 m | 132 in  | 335 cm | 138 in  | 351 cm | 3,220 lbs      | 1,460 kg |
| 12 ft                | 3.7 m | 144 in  | 366 cm | 150 in  | 381 cm | 3,460 lbs      | 1,570 kg |
| 13 ft                | 4.0 m | 156 in  | 396 cm | 162 in  | 411 cm | 3,700 lbs      | 1,680 kg |
| 14 ft                | 4.3 m | 168 in  | 427 cm | 174 in  | 442 cm | 3,940 lbs      | 1,790 kg |

ALL SURFACES SHROUDED TO PERMIT DIRECTLY CASTING IN CONCRETE.

THIS DRAWING UNLESS OTHERWISE NOTED, REMAINS THE CONFIDENTIAL PROPERTY AND TRADE SECRET OF DELTA SCIENTIFIC CORPORATION. IT SHALL NOT BE REPRODUCED, REPRODUCED OR USED FOR MANUFACTURE, DESIGN OR CONSTRUCTION WITHOUT THE EXPRESS AUTHORIZATION OF DELTA SCIENTIFIC CORPORATION. THE REPRODUCER BY ACCEPTING THIS DRAWING, ASSUMES CUSTODY THEREOF AND UNDER THE ABOVE TERMS AGREES NOT TO ALLOW USE OF IT UNAUTHORIZED PERSONS.

© 1996 ALL RIGHTS RESERVED

UNLESS OTHERWISE NOTED DIMENSIONS ARE IN INCHES

TOLERANCES  
X = ± 0.060/FT  
XX = ± 0.30/FT  
XXX = ± 0.10/FT  
ANGLES = ± 5°

SURFACE FINISH  
125/7

REMOVE ALL BURRS & BREAK SHARP EDGES 0.2 MAX

**DELTA SCIENTIFIC CORPORATION**  
24901 WEST AVE. STANFORD  
VALENCIA, CA 91355 U.S.A.  
(805) 257-1800 FAX (805) 257-0617

**DELTA**

MODEL TT205 PHALANX BARRIER  
GENERAL ARRANGEMENT

|                     |                  |                      |                 |
|---------------------|------------------|----------------------|-----------------|
| DRWN BY<br>J.FRIEND | DATE<br>03/17/98 | DRAWING NO.<br>90080 | REV.<br>-       |
| CHKD BY             | DATE             | SCALE:<br>N.T.S.     | SHEET<br>1 OF 1 |

